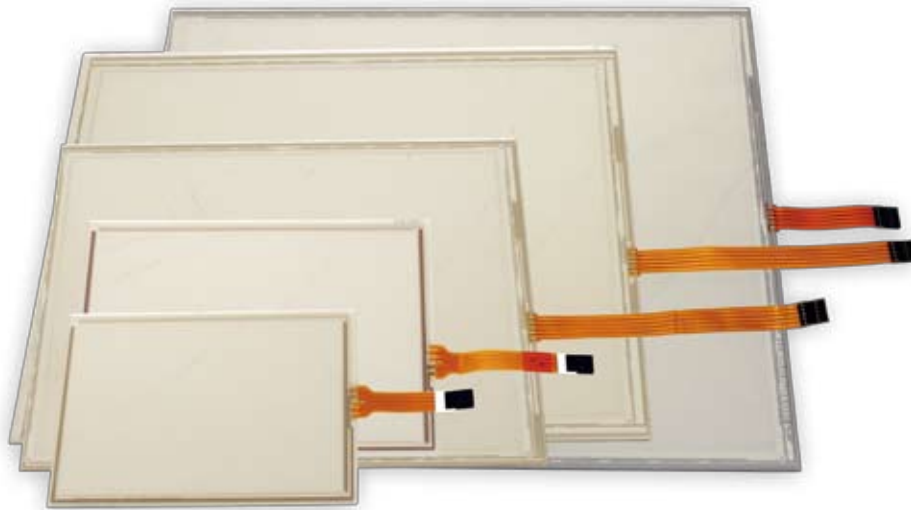


# Touch Screen Series

6.5" ~ 19" Resistive LCD Touch Screen Kits



## Features

1. Optical clarity: Total transmission 78 % or more
2. Input through a special stylus or finger 100g or less.
3. High reliability and durability in the field

## Packing List

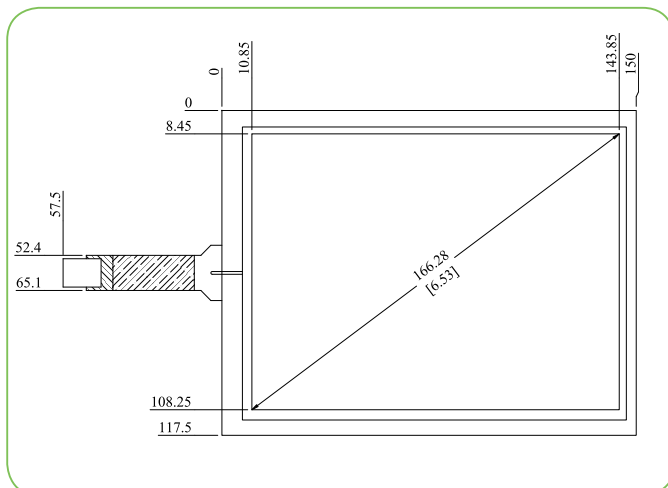
- 1 X Touch screen
- 1 X Controller board
- 1 X Touch cable
- 1 X Touch driver on CD-ROM
- 1 X RS-232 / USB cable



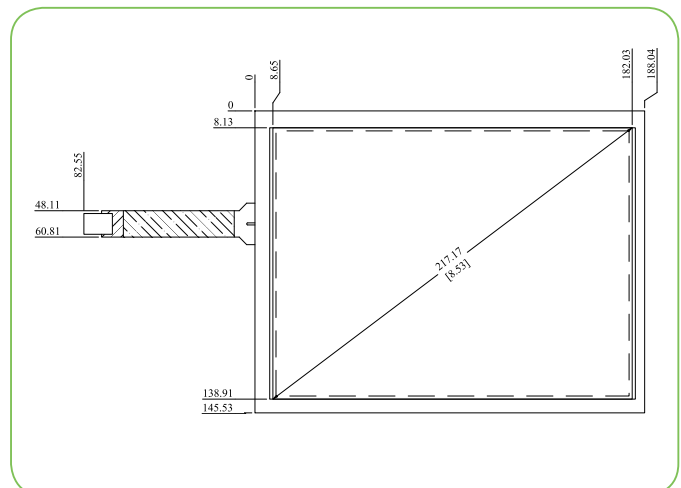
## Ordering Information

Touch Screen Kit		IEI Products	Sensor
RS-232	USB		
T-R065G	T-R065G-USB	DM-65GS, LCD-KIT65G	4-Wire
T-R084G	T-R084G-USB	DM-84GS, ISDM-84G, LCD-KIT84G	4-Wire
T-R104G	T-R104G-USB	DM-104GS, ISDM-104G, LCD-KIT104G	5-Wire
T-R121G	T-R121G-USB	DM-121GS, ISDM-121G, LCD-KIT121G	5-Wire
T-R150G	T-R150G-USB	DM-150GS, ISDM-150G, LCD-KIT150G	5-Wire
T-R170G	T-R170G-USB	DM-170GS, ISDM-170G, LCD-KIT170G	5-Wire
T-R190G	T-R190G-USB	DM-190GS, ISDM-190G, LCD-KIT190G	5-Wire

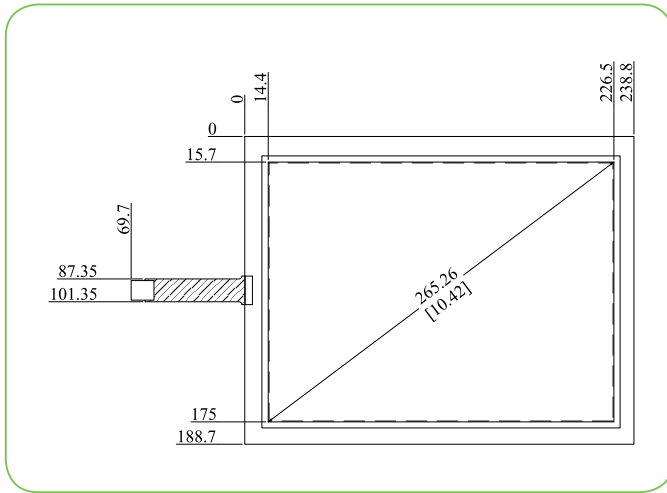
### T-R065G



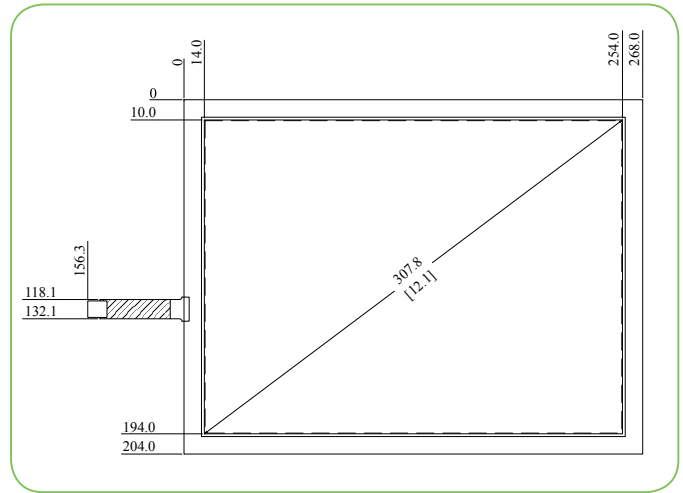
### T-R084G



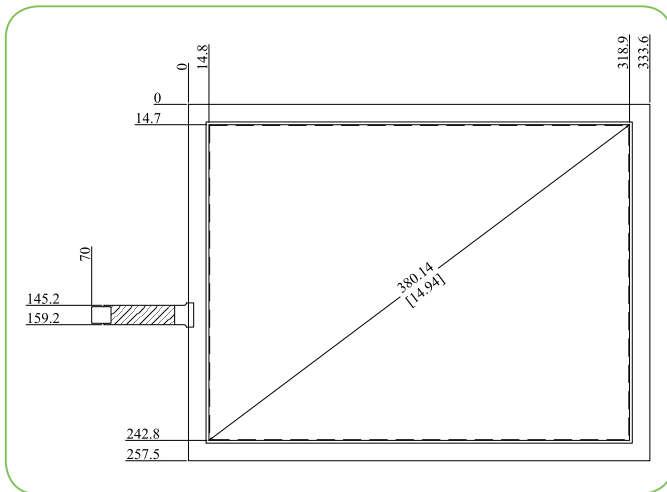
**T-R104G**



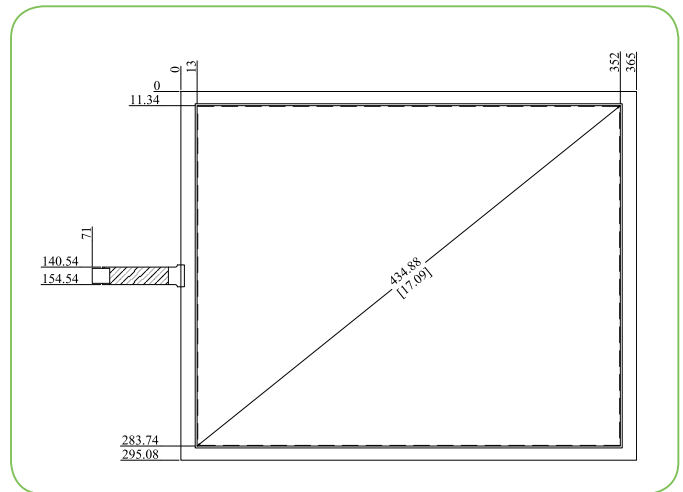
**T-R121G**



**T-R150G**



**T-R170G**



**T-R190G**

