

# SRM-121/150

12.1"/15" Sunlight Readable TFT LCD Monitor

Fanless

SRM Series



With Auto-Dimming Function

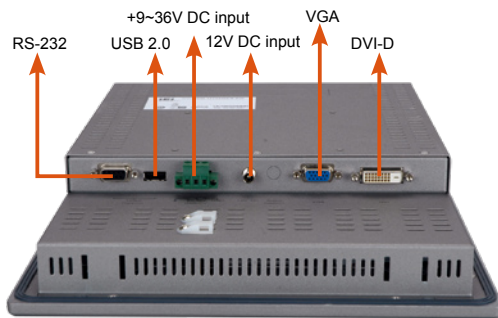
Open Frame

SRM-KIT Series



New 9-36V DC Input

Prolongable OSD Cable with Auto-Dimming Function



## Features

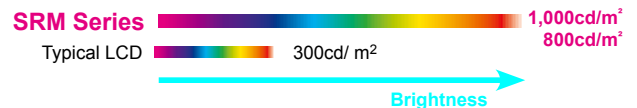
1. 800 and 1000nits super high brightness
2. Superior fanless design
3. 12.1" anti-reflection technology reduces light reflection and high transmission rate to prevent light loss or distortion
4. Adjustable auto-dimming function
5. Wide operating temperature: -10°C~+60°C
6. OSD lock secures your settings
7. IEI patent software OSD support

## Specifications

Model	SRM-121GS	SRM-121XA	SRM-150GS
	SRM-KIT121G	SRM-KIT121XA	SRM-KIT150G
LCD Size	12.1"	12.1"	15"
Input Interface	Analog VGA + DVI-D		
Max Resolution	800 x 600 (SVGA)	1024 x 768 (XGA)	1024 x 768 (XGA)
Brightness (cd/m <sup>2</sup> )	1000	1000	800
Contrast Ratio	700:1	700:1	600:1
Display Color	262k	262k	262k
Pixel Pitch (mm)	0.3075	0.240	0.297
Viewing Angle (H/V)	130°/120°	120°/120°	150°/110°
Touch Screen	Resistive Type 5-Wire		
Front Frame	Aluminum		
Chassis	Heavy-duty		
Input Voltage	9-36VDC		
OSD function	Yes		
Smart-OSD	Yes		
Mounting	Wall / Panel / Rack / Arm / Stand / VESA 100mm x 100mm Panel		
Color	Sliver		
Dimensions (W x H x D mm)	340 x 260 x 58 316 x 224.4 x 47.9	340 x 260 x 58 316 x 224.4 x 47.9	410 x 309 x 55.1 364.1 x 262.5 x 46
Operating Temperature	-10°C ~ +60°C		
Front Panel Protection	IP65 N/A		
Net Weight	3.3 kgs	3.3 kgs	6 kgs
Power Adapter	36W, 63000-FSP036RAB610-RS		

## Super High Brightness

Typical high brightness monitors usually have more than six CCFLs, but the IEI SRM monitors have super high brightness with only four CCFLs. IEI SRM panels are still readable in bright sunlight with fewer backlights and thereby not increasing power consumption or producing extra heat.



## Wide Temperature Range

Extended IEI environment testing is performed to ensure the SRM series continue to function properly over its entire services life in a wide working temperature range of -10°C to +60°C in order to accommodate a diverse industrial applications such as outdoor kiosks in winter and summer.

Conventional Operation: 0°C~50°C

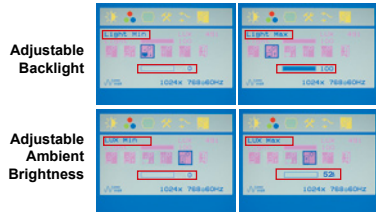


## Superior Fanless Design and Low Power Consumption

SRM models are fanless and therefore use less power and are more silent than conventional high brightness monitors that generally use several high-speed cooling fans. SRM models use between 25W and 30W of power compared to the 40W to 50W used by conventional high-brightness monitors

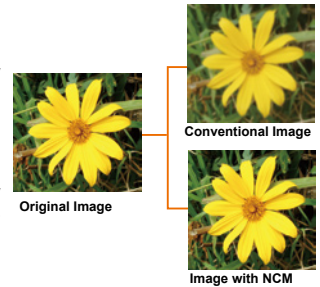
## Innovative Auto-Dimming Function

IEI SRM series with auto-dimming function can adjust brightness according to ambient light, so that SRM series can job properly under different lamp house average, and outdoor environment. This function not only saves unnecessary brightness that strains eyes but also saves energy. The SRM series auto-dimming default settings can be easily customized with the OSD menu to suit any environment.



## Natural Color Matrix (NCM) Technology

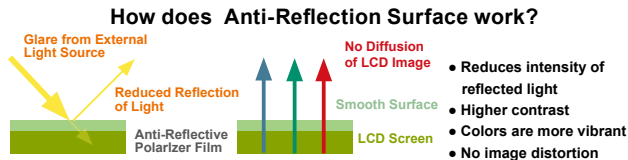
POS terminals and kiosks often display advertisements and colorful images, the colors of which must remain vivid and faithful to the original. The IEI SRM monitor with NCM optimization technology prevents this difference by separating color data and luminance components while controlling individual display colors for optimized performance.



## Anti-Reflection Technology

SRM-121GS

Outdoor applications in daylight or other bright environments require technology that can suppress surface reflection. The SRM-121GS has special AR (anti-reflection) surface treatment to prevent reflection, ensuring excellent visibility in daylight conditions.



## Mounting Kits

	SRM-121GS	SRM-150GS
Panel Mount Kit	PK-170M	
Wall Mount Kit	WK-190MS-R10	
Rack Mount Kit	RK-121MS-R10	RK-150MS-R10
LCD Monitor Arm	ARM-11	ARM-31
LCD Monitor Stand	STAND-100-RS	STAND-210-R11

## 12.1" XGA High Resolution

SRM-121XA series supports higher resolutions and smaller pixel pitches (0.24mm versus 0.24mm) to deliver great displays. Higher resolution of a high-density display allows more viewable content so that the user does not have to scroll as much to view the entire spreadsheet.

### 12.1" SVGA Screen Capture



### 12.1" XGA Screen Capture



### XGA Higher Resolution

- Present vivid and fine display quality
- Increase viewable content

## Packing List

Description	Part Number	Remark
1 x AC power cable	32000-089900-RS	Length: 1800mm (EU or US, Which type of cord is shipped depends on the contry)
1 x VGA cable	32000-036200-RS	Length:1800mm
1 x DVI cable	32000-086600-RS	Length:1800mm
1 x 36W AC power adapter	63000-FSP036RAB610-RS	Operating Temperature : 0°C~ +40°C
1 x User manual		
1 x Power cable for terminal block	32100-041001-RS	For M model only
1 x Touch screen RS-232 Cable / USB Cable / Driver CDROM	RS-232 Cable:32005-001100-100-RS USB Cable:32001-006100-100-RS	Length:1800mm Length:1500mm
1 x Touch Pen	43125-0002C0-RS	

## Ordering Information

### 12.1" SVGA SRM Series

Model	Description
SRM-121GS/R-20	12.1" 1000cd/m <sup>2</sup> Sun Readable SVGA LCD Monitor, Aluminum Front Panel, Silver Color, w/VGA and DVI-D input, w/12.1" RS-232 and USB Touch Screen, R20, RoHS
SRM-121GMS/R-20	12.1" 1000cd/m <sup>2</sup> Sun Readable SVGA LCD Monitor, Aluminum Front Panel, Silver Color, w/VGA and DVI-D input, w/9-36V DC input, w/12.1" RS-232 and USB Touch Screen, R20, RoHS

### 12.1" XGA SRM Series

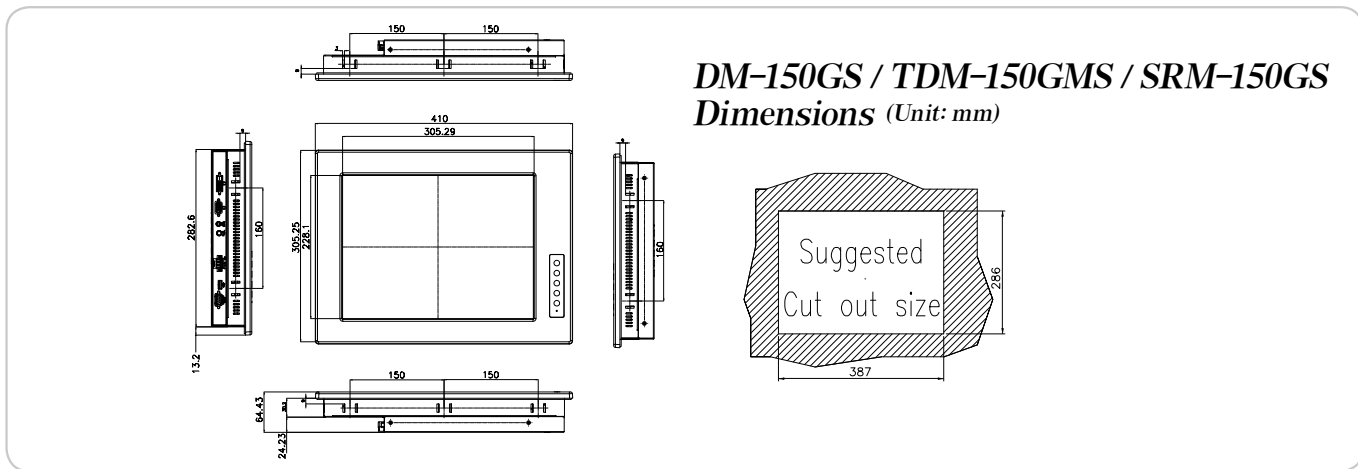
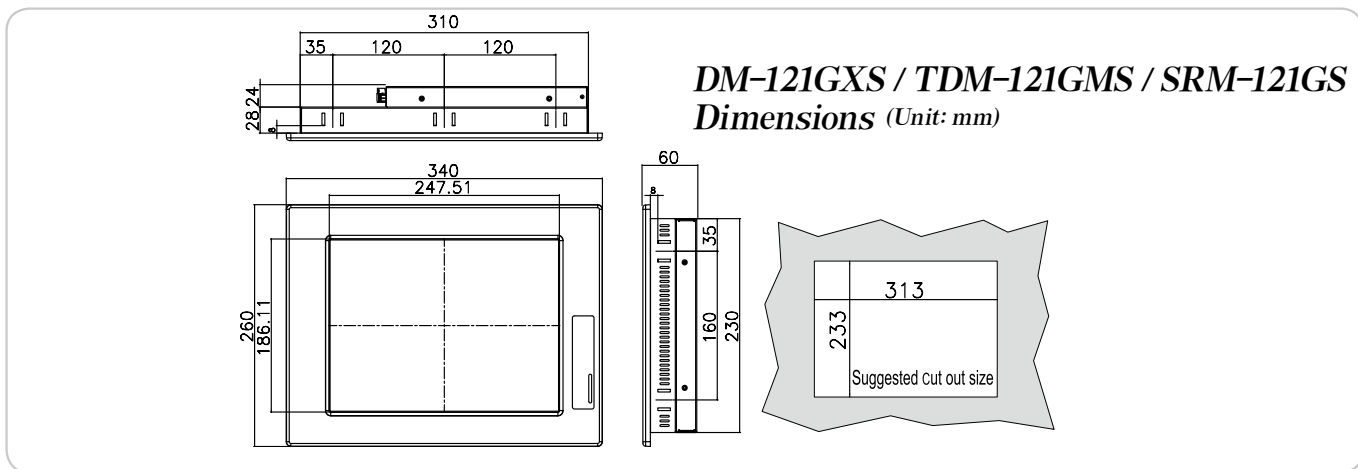
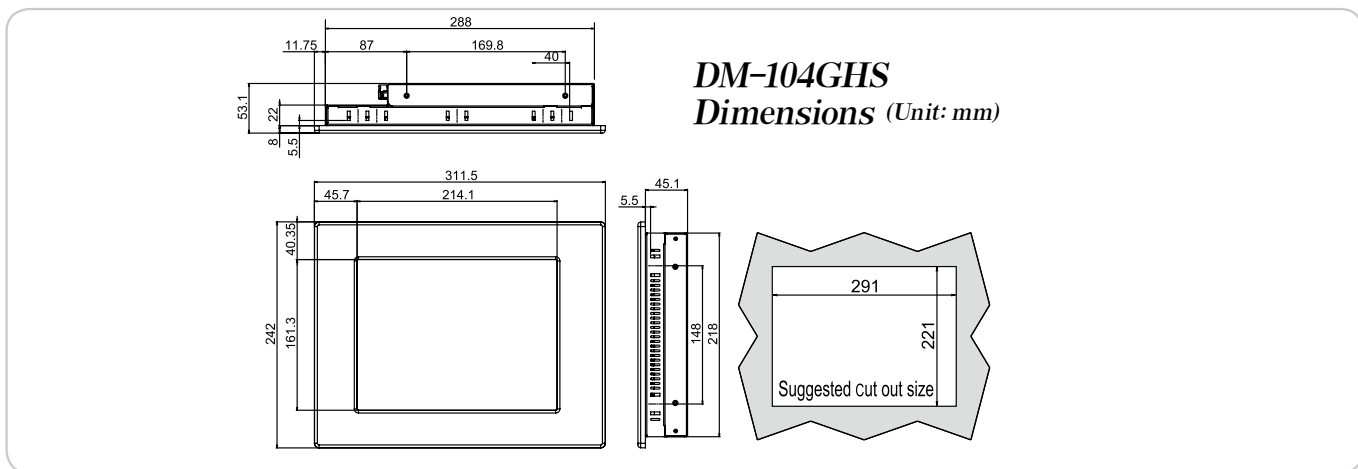
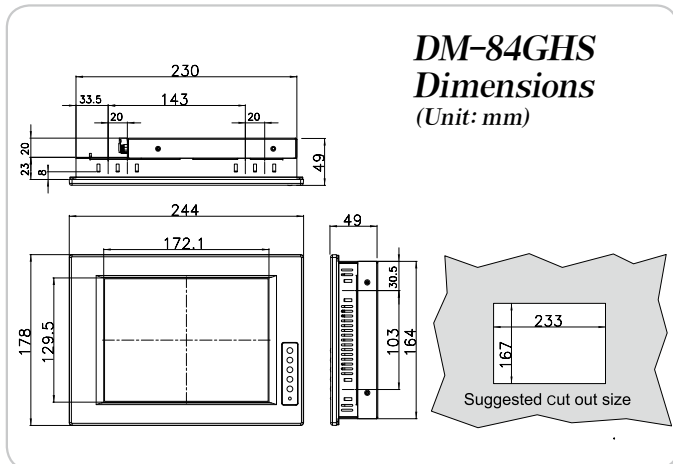
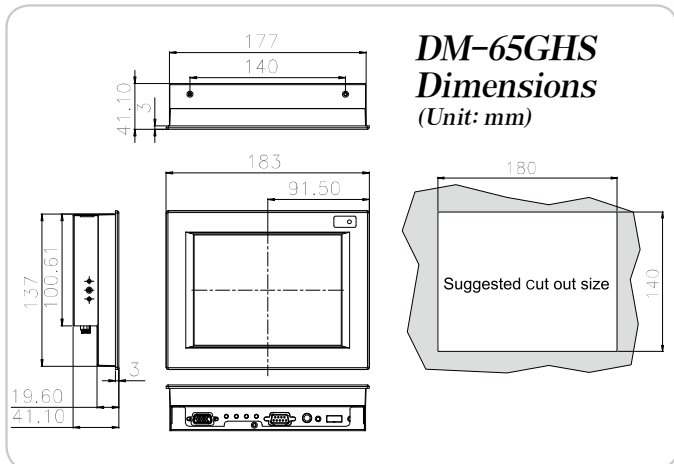
Model	Description
SRM-121XA/R-20	12.1" 1000cd/m <sup>2</sup> Sun Readable XGA LCD Monitor, Aluminum Front Panel, Silver Color, w/VGA and DVI-D input, w/12.1" RS-232 and USB Touch Screen, R20, RoHS
SRM-121XMA/R-20	12.1" 1000cd/m <sup>2</sup> Sun Readable XGA LCD Monitor, Aluminum Front Panel, Silver Color, w/VGA and DVI-D input, w/9-36V DC input, w/12.1" RS-232 and USB Touch Screen, R20, RoHS

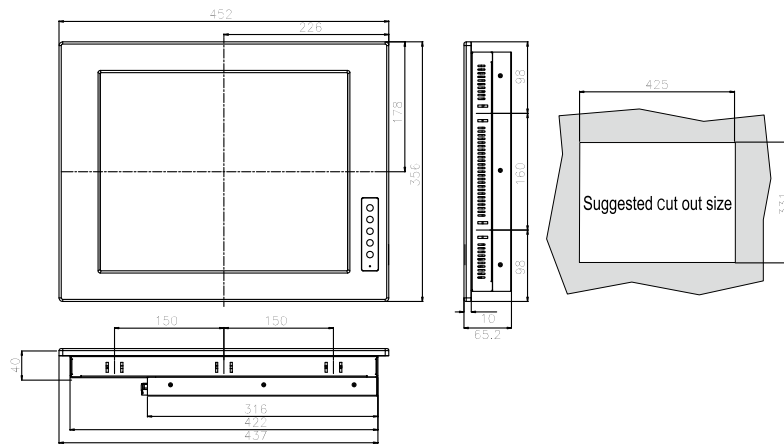
### 15" XGA SRM Series

Model	Description
SRM-150GS/R-20	15" 800cd/m <sup>2</sup> Sun Readable XGA LCD Monitor, Aluminum Front Panel, Silver Color, w/VGA and DVI-D input, w/15" RS-232 and USB Touch Screen, R20, RoHS
SRM-150GMS/R-20	15" 800cd/m <sup>2</sup> Sun Readable XGA LCD Monitor, Aluminum Front Panel, Silver Color, w/VGA and DVI-D input, w/9-36V DC input, w/15" RS-232 and USB Touch Screen, R20, RoHS

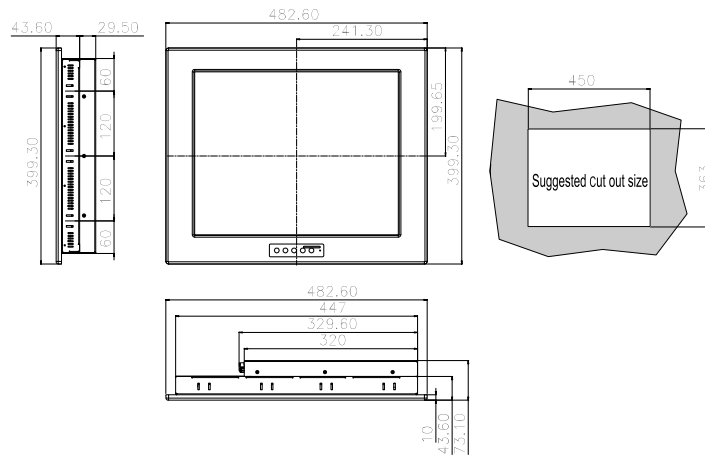
### 12.1"/15" SRM-KIT Series

Model	Description
SRM-KIT121G-R20	12.1" 1000 cd/m <sup>2</sup> Sun Rdadable SVGA TFT LCD kit, VGA and DVI-D input, R20, RoHS
SRM-KIT121XA-R20	12.1" 1000 cd/m <sup>2</sup> Sun Rdadable XGA TFT LCD kit, VGA and DVI-D input, R20, RoHS
SRM-KIT150G-R20	15" 800 cd/m <sup>2</sup> Sun Rdadable XGA TFT LCD kit, VGA and DVI-D input, R20, RoHS
SRM-KIT121GM-R20	12.1" 1000 cd/m <sup>2</sup> Sun Readable SVGA TFT LCD kit, VGA and DVI-D input, w/9-36V DC input, R20, RoHS
SRM-KIT121XMA-R20	12.1" 1000 cd/m <sup>2</sup> Sun Readable XGA TFT LCD kit, VGA and DVI-D input, w/9-36V DC input, R20, RoHS
SRM-KIT150GM-R20	15" 800 cd/m <sup>2</sup> Sun Readable XGA TFT LCD kit, VGA and DVI-D input, w/9-36V DC input, R20, RoHS

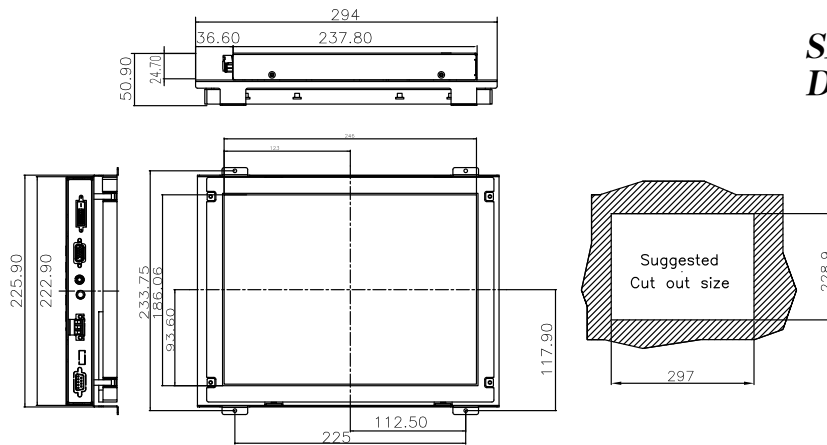




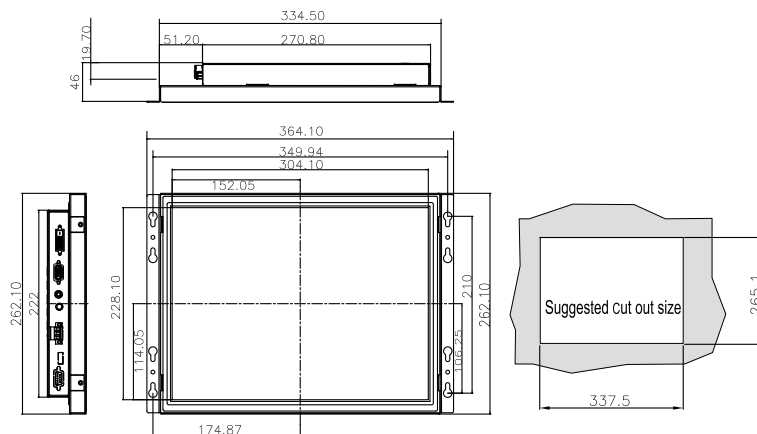
**DM-170G**  
Dimensions (Unit: mm)



**DM-190G**  
Dimensions (Unit: mm)



**SRM-KIT121G**  
Dimensions (Unit: mm)



**SRM-KIT150G**  
Dimensions (Unit: mm)