

8.4" Industrial Panel PC

PPC-2708GS-LX800

AMD Geode LX800 500MHz Processor

Fanless

PPC-3708A-N270

Intel® Atom™ N270 Processor

Fanless

PPC-3708GS-945

Intel® Core™2 Duo Processor with Intel® 945GME Platform



Specifications

Features

1. 8.4" 450nits high brightness TFT LCD with LED Backlight
2. Dual Ethernet provides continuous network service and allows sharing among different workgroups in two different subnets
3. One internal 2.5" SATA HDD and CF slot
4. Robust aluminum front bezel and metal casing
5. IP65 compliant front panel
6. IEI One Key Recovery solution allows you to create rapid OS backup and recovery (Suggest over 4GB storage capacity)



1

IEI Mobile Solutions

2

Automation Panel Solutions

3

Video Wall Controller/ Splitter

4

RISC-based Solutions

5

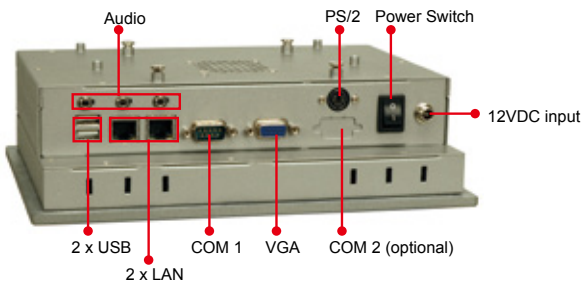
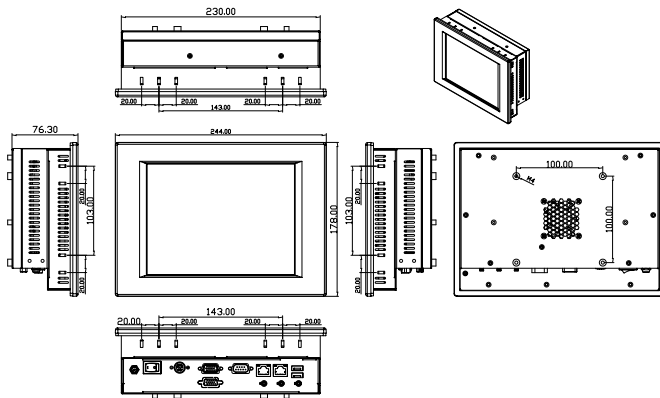
PACSmate Medical Solutions

6

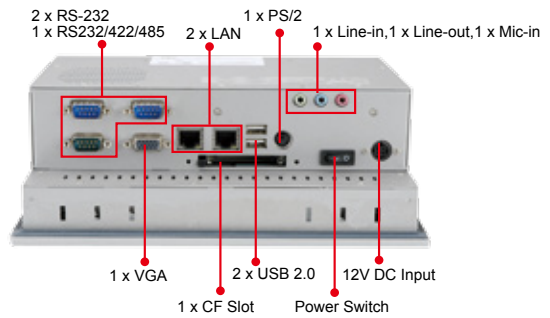
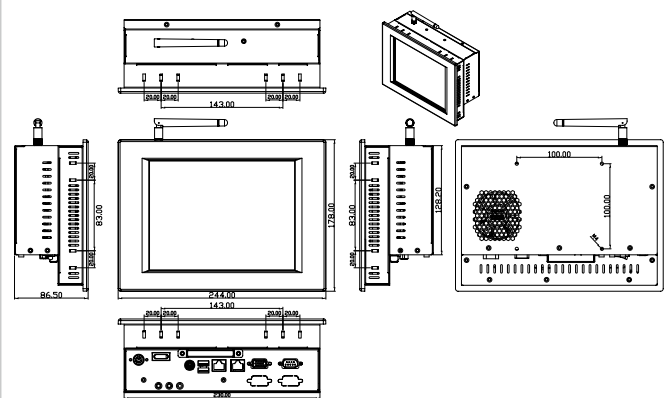
Optional Peripherals

Model		PPC-2708GS-LX800	PPC-3708A-N270	PPC-3708GS-945	
Display	LCD Size	8.4 "			
	Max Resolution	800(W) x 600(H)			
	Brightness (cd/m ²)	450			
	Contrast Ratio	600:1			
	LCD Color	262K			
	Pixel Pitch (mm) (HxV)	0.213(H) x 0.213(V)			
	Viewing Angle (V/H)	140°/160°			
	Backlight MTBF (hrs)	50000 (LED Backlight)			
Motherboard	SBC	WAFER-LX-800	NANO-945GSE-N270	NANO-9452	
	CPU	AMD Geode LX800 500MHz processor	Intel® Atom process N270 1.6GHz CPU	Socket M Intel® Core™2 Duo, Core Duo, Core Solo with 667MHz FSB Intel® Celeron® M 533MHz FSB	
	Chipset	AMD Geode LX800 + AMD CS5536	Intel® 945GSE + ICH7M	Intel® 945GME + ICH7M	
	RAM	1 x 200-pin SO-DIMM socket, supporting DDR 333/400MHz modules for up to 1GB	1 x 200-pin SO-DIMM socket, supporting DDR2 533MHz modules for up to 2GB	1 x 200-pin SO-DIMM socket, supporting DDR2 400/533/667MHz modules for up to 2GB	
I/O Ports and Switches		1 x RS-232 2 x RJ-45 for 10/100Mbps LAN 2 x USB Port 1 x VGA Port Line-in, Line-out, MIC-in 1 x PS/2 mouse and keyboard interface 1 x 12VDC input Power Jack 1 x Power Switch	2 x RS-232 1 x RS-232 (Alternative to RS-422/485) 2 x RJ-45 for LAN Port 2 x USB 2.0 1 x VGA Port Line-in, Line-out, MIC-in 1 x PS/2 mouse and keyboard interface 1 x 12VDC input Power Jack 1 x Power Switch	2 x RS-232 1 x RS-232 (Alternative to RS-422/485) 2 x RJ-45 for LAN Port 2 x USB 2.0 1 x VGA Port Line-in, Line-out, MIC-in 1 x PS/2 mouse and keyboard interface 1 x 12VDC input Power Jack 1 x Power Switch	
Drive Bay	HDD Driver Bay		1 x 2.5" SATA HDD Bay		
	SSD		CF Type II		
Expansion Slot		N/A	1 x PCIe mini card	1 x PCIe mini card	
Physical	Construction Front Panel		Aluminum Die-casting		
	Construction Chassis		Heavy-duty Steel (SECC)		
	Mounting		Panel, Wall, Rack, Stand and Arm VESA 100mm x 100mm		
	Front Panel Color		Silver (Pantone 8001C)		
	Dimensions (WxHxD) (mm)	244 x 178 x 67	244 x 178 x 80.2	244 x 178 x 80.2	
	Cut Out Dimensions (WxH) (mm)	233 x 167	233 x 167	233 x 167	
Net /Gross Weight		2.2 Kg / 4.4 Kg	2.2 Kg / 4.4 Kg	2.2 Kg / 4.4 Kg	
System Cooling		Fanless	Fanless	Active with Fan	
Environment	Operation Temperature	-10°C ~ 50°C with CF or SSD -10°C ~ 40°C with HDD	-10°C~50°C	-10°C~50°C	
	Storage Temperature		-20°C~60°C		
	Vibration		5~17Hz, 0.1 double amplitude displacement 17~640Hz 1.5G acceleration peak to peak		
	Shock		10G acceleration part to part (11ms)		
Touch Screen			Resistive Type 4-Wire with RS-232 interface		
Power	Power Adapter	P/N: 63000-FSP060DBAB1552-RS 60W Power Adapter	P/N: 63000-FSP060DBAB1554-RS 60W Power Adapter	P/N: 63000-FSP084DMBA1308-RS 84W Power Adapter	
	Power Consumption	Input: 90VAC~264VAC, 50/60Hz Output: 12VDC	Input: 90VAC~264VAC, 50/60Hz Output: 12VDC	Input: 90VAC~264VAC,50/60Hz Output: 12VDC	

PPC-2708GS
Dimensions (Unit: mm)



PPC-3708A / PPC-3708GS
Dimensions (Unit: mm)



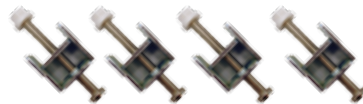
Versatile Mounting Way



Wall Mount



Stand



Panel Mount



Rack Mount



Packing List

Item	Part No.	Description
Fan Module	19FRDL5010B5-000001-RS	+5V, 50*50*10MM, FOR PPC-2708GS-LX800 (Please install the fan under -10°C~50°C with HDD operating environment)
Screw Kit	19600-000205-RS	
2.5" SATA HDD Installation Kit	19A00-000023-00-RS	FOR PPC-2708GS-LX800
Power Cord	32702-000200-100-RS	EUROPEAN Standard ,1830MM, PLUG(16A 250V), CONNECTOR (10A 250V)
Power Adapter	63000-FSP060DBAB1552-RS	60W, 90VAC~264VAC for PPC-2708GS-LX800
	63000-FSP084DMBA1308-RS	84W, 90VAC~264VAC for PPC-3708GS-945
	63000-FSP060DBAB1554-RS	60W, 90VAC~264VAC , DIN 4 PIN for PPC-3708A-N270
PS/2 Cable	32006-000300-100-RS	1 x MINI DIN 6PIN MALE; 2 x MINI DIN 6PIN FEMALE
Panel Mounting Kits	19Z00-000026-RS	
Wall Mounting Kit	41014-057602-00-RS	ULTRA SET PLATE
	41020-016102-00-RS	WALL MOUNT BRACKET
IEI One Key Recovery CD	IEI-7B000-000478-RS	
Touch Screen Driver CD / Touch Pen		
User Manual & Driver CD	IEI-7B000-000519-RS	FOR PPC-27xxG-LX SERIES
	IEI-7B000-000520-RS	FOR PPC-37xxG-945, PPC-37xxA-N270 SERIES

IQ Mounting Options

Item	Part No.
Rack Mount Kit	RK-084MS-R10
ARM	ARM-11-RS
STAND	STAND-100-RS

Options

Item	Part No.	Description
RS-422/485 Cable	32200-075202-RS	(A) D-SUB 9PIN MALE (B) DU PONT 2*7P P=2.0 FEMALE
HDD IDE Cable	32221-000200-100-RS	100MM, IDE 44-pin

Ordering Information

Part No.	Description
AMD LX800	PPC-2708GS-LX/R/256M-R20 8.4" 450 cd/m ² SVGA Fanless Panel PC with WAFER-LX-800 Silver color and Touch Screen,256MB DDR RAM, R20, RoHS
	PPC-2708GS-LX/R/512M-R20 8.4" 450 cd/m ² SVGA TFT Panel PC with WAFER-LX-800 Silver color and Touch Screen,512MB DDR RAM, R20, RoHS
Intel® N270	PPC-3708A-N270/R/1G-R20 8.4" 450 cd/m ² SVGA Panel PC with Intel® Atom™ N270 1.6GHz/ 512KB L2 cache processor,1GB DDR2 RAM and touch screen,12VDC input, R20, RoHS
Intel® 945GME	PPC-3708GS-945-C4/R/1G-R30 8.4" 450 cd/m ² SVGA TFT Panel PC with NANO-9452,C-M 1.86GHz,Silver color,T/S,1GB DDR2 RAM,R30,RoHS
	PPC-3708GS-945-T5/R/1G-R30 8.4" 450 cd/m ² SVGA TFT Panel PC with NANO-9452,Intel® Core™ Duo 1.66GHz T5500,Silver color,T/S,1GB DDR2 RAM,R30,RoHS

- 1 IEI Mobile Solutions
- 2 Automation Panel Solutions
- 3 Video Wall Controller/ Splitter
- 4 RISC-based Solutions
- 5 PACSmate Medical Solutions
- 6 Optional Peripherals