

# PIC0e-GM45A

Half-size PCIe CPU card supports socket P Intel® Core™2 Duo processors and comes with VGA, LVDS, HDTV-out, Dual PCIe GbE, SATA II and USB 2.0



1 Industrial Computing Solutions

2 Embedded Computing Solutions

3 RISC-Based Embedded Solutions

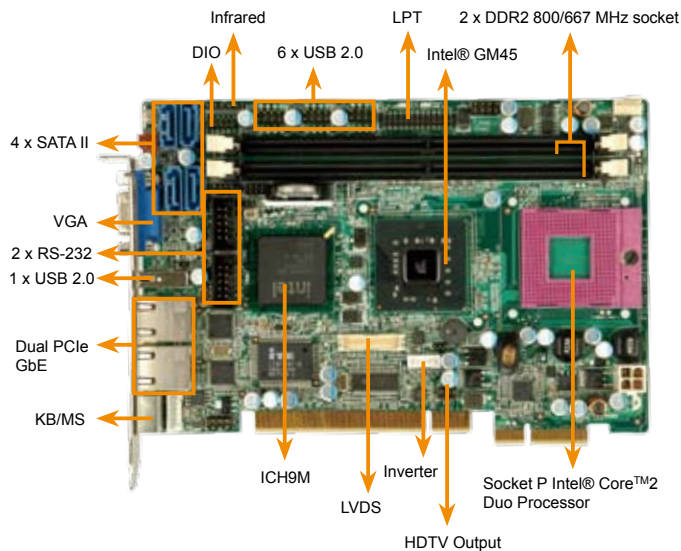
4 Industrial Data Collector/Server Solutions

5 Video Capture Solutions

6 I/O Communication Solutions

7 Panel Solutions

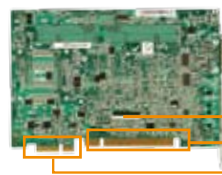
8 Power Supply/Network Communication/Peripherals



Generation	Core™2 Duo		
	65nm		45nm
Process	533 / 667 MHz	667 / 800 MHz	800 / 1066MHz
FSB	Merom Napa Refresh	Merom Santa Rosa	Penryn
Architecture			
	Socket M	Socket P	Socket P
TDP	34W	35W	29W
Platform			
	945GME	GME965	GM45

PIC0e-9452

PIC0e-GM45A



Solder Side

## Specifications

- ◆ CPU  
Socket P Intel® Core™2 Duo processor with a 1066/800/667 MHz FSB
- ◆ System Chipset  
Intel® GM45 + ICH9M
- ◆ BIOS  
AMI Flash BIOS
- ◆ System Memory  
Two 240-pin 800/667 MHz dual-channel DDR2 SDRAM DIMM supported (system max. 4 GB)
- ◆ Ethernet  
Dual Intel® 82574L PCIe GbE controller
- ◆ I/O Interface  
2 x RS-232  
7 x USB 2.0  
4 x SATA II  
1 x LPT  
1 x PS/2 connector for KB/MS
- ◆ Digital I/O  
8-bit digital I/O, 4-bit input/ 4-bit output
- ◆ Infrared Interface  
1 x Infrared by pin header
- ◆ Super I/O  
ITE IT8718F
- ◆ Display Interface  
VGA Integrated in Intel® GM45  
HDTV/TV support NTSC/PAL and HDTV resolution up to 1080i  
18/24-bit dual-channel LVDS
- ◆ Audio  
HD audio supported by IEI AC-KIT883HD-R10
- ◆ SSD  
None
- ◆ Watchdog Timer  
Software programmable supports 1 ~255 sec. system reset
- ◆ Power Supply  
AT/ATX function supported
- ◆ Power consumption  
5V@5.59A, 12V@0.15A  
(Intel® Core™2 Duo T9400 2.53 GHz with 4 GB DDR2 800 MHz)
- ◆ Temperature  
Operation: 0°C ~ 60°C ( 32°F ~ 140°F)
- ◆ Humidity  
Operation: 5% ~95% non-condensing
- ◆ Dimensions  
185 mm x 122 mm
- ◆ Weight  
GW: 1000 g / NW: 250 g

Dual DDR2 800    FSB 1066    Socket P

SERIAL ATA 300A    MI-SPEED CERTIFIED USB    Gigabit Ethernet PCIe    Dual Display

## Features

1. PCIe CPU card supports four PCIe x1 or one PCIe x4 and 4 x PCI expansions
2. Supports Intel® 45nm socket P Core™2 Duo processors with a 1066/800/667MHz FSB
3. Built-in Intel GMA 4500MHD with hardware MPEG-2 decoding, WMV9 and H.264 supported
4. 4GB (max.) of 800/667MHz dual-channel DDR2 memory supported
5. Dual PCIe GbE, two RS-232, seven USB 2.0 and four SATA II

## Packing List

1 x PIC0e-GM45A single board computer
1 x Mini jumper pack
2 x SATA cable (P/N: 32000-062800-RS)
1 x SATA power cable (P/N: 32100-088600-RS)
1 x Dual RS-232 cable (P/N: 19800-000051-RS)
1 x KB/MS Y cable (P/N: 32000-133200-RS)
1 x USB cable (P/N: CB-USB02-RS)
1 x Utility CD
1 x QIG

## Ordering Information

Part No.	Description
PIC0e-GM45A-R10	PCIe CPU card Intel® Core™2 Duo CPU with VGA/LVDS/HDTV-out, GbE, USB 2.0 and SATA
CF-479B-RS	CPU cooler (50 mm x 50 mm x 26 mm, 50 W)
AC-KIT883HD-R10	7.1 channel HD audio kit with realtek ALC883 support dual audio streams
HDTVCABLESET-01	HDTV cable set with S-Video, composite and component Interfaces
32200-015100-RS	LPT cable
32100-087100-RS	ATX-12V cable