

## IOVU-751R

## MIPS-based Panel PC

MPEG1  
MPEG4MPEG2  
WMV9Hardware  
Decode

Traditionally, Power over Ethernet (PoE) technology has been used to power low voltage devices such as wireless LAN Access Points, Voice over IP phones and IP-based cameras. However, the IOVU-751R is a 7" touch screen panel PC powered by Ethernet and with enhanced built-in hardware multimedia acceleration engine (MAE) to support MPEG1/2/4, DivX, and WMV9 in full D1 resolution. The power requirement is less than 13 W, and falls within the power specified in the IEEE 802.3af PoE industry standard.



RMI  
Raza Microelectronics, Inc.

Microsoft  
Windows CE 5.0

Linux

MIPS  
TECHNOLOGIES

## Applications

The IOVU-751R is a rugged, compact device that has low power consumption and is designed without failure-prone hard disks and fans; moreover, its high-performance multimedia support is a solution for diverse range of applications :

- > POE supports Ethernet transmission for updating advertisement and doesn't need additional power supply.
- > Compliant with varied digital video media including MPEG1, 2, 4, DivX, and WMV9.
- > Internal speakers and fan-less feature for great audio presentation.



### Home / Building Automation

- Update the latest information by Ethernet like cookbook, entertainment program...etc.
- Power meter, lighting control, and home-safety.



### Slim POS

- PoE supports Ethernet service and power supply function directly.
- Easy to integrate optional barcode reader, magnetic card reader, and customer display.

### Thin/Client

- Provide the service information to all passengers.
- Varied movies, games, and chat room for all passengers.



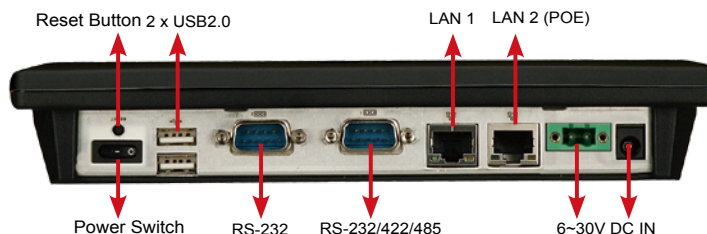
### Digital Signage & Game Device

- Update advertisement programs by Ethernet and support multimedia functions.
- Access games, sport training programs and internet service. Users don't need an individual coach anymore.



## Features

- Processor includes MAE (Media Acceleration Engine) supports MPEG 1/2/4 and WMV9
- RISC-based processor provides high performance and extremely low power consumption
- POE (Power over Ethernet) function
- 7" widescreen WVGA TFT LCD with resistive touch screen
- Compact design with plastic housing
- Fanless system
- Built-in 1.5W speakers
- Secure Digital card slot for storage expansion
- IP64 compliant front panel



## IOVU-751R Specifications

Model	IOVU-751R
LCD Size	7"
Max. Resolution	800 x 480
Brightness (cd/m2)	400
LCD Color	262K
Pixel Pitch (mm)	0.0635 (H) x 0.1905 (V)
Backlight MTBF	50000 hrs
Touch Screen	Resistive Type 4-wire
CPU	Alchemy™ Au1250™ 500 MHz
RAM	256 MB DDR2
Bootloader Storage	2 MB boot ROM
OS/Program Storage	1 GB Secure Digital card
I/O Ports and Switches	1 x RS-232 COM port 1 x RS-232/422/485 COM port (Software Controllable) 1 x Reset button 1 x On/Off power switch 2 x 10/100Mbps LAN (one supports POE) 2 x USB 2.0 host

Audio	1.5W speaker x 2
Construction Material	ABS + PC Plastic
LED Function	1 x Power ON/OFF LED on front panel
Mounting	Panel, Wall, Stand, Vstand and Arm (VESA 75 x 75)
Front Panel Color	Gray 7C
Dimensions (W x H x D mm)	226 x 140 x 40
Operating Temperature (°C)	-20 ~ 60
Storage Temperature (°C)	-20 ~ 80
Net Weight (kg)	0.8
IP Level (front panel)	IP 64
Power Requirement	6~30 V DC
Power Consumption	8.5 W

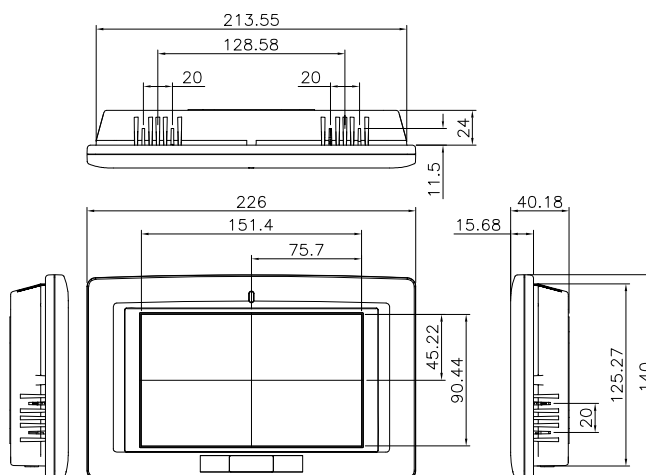
## Packing List

- 1 x IOVU-751R
- 1 x Utility CD includes application tools, SDK, and technical document.
- 1 x Null modem cable
- 1 x Touch pen
- 1 x Screw kit

## Ordering Information

Part No.	Description
<b>IOVU-751R-CE5/-R10</b>	7", WVGA fan-less touch panel PC with RMI Alchemy AU1250 CPU, 256MB DDR2 SDRAM, LAN supports POE function and built-in Windows® CE5.0 Operating System
<b>IOVU-751R-UX/-R10</b>	7", WVGA fan-less touch panel PC with RMI Alchemy AU1250 CPU, 256MB DDR2 SDRAM, LAN supports POE function and built-in ARM-Linux 2.6.11 Operating System

## IOVU-570M Dimensions (Unit: mm)



## Options

Part No.	Description
<b>ALFPK-08</b>	Panel mount kit
<b>AFLWK-07</b>	VESA 75 wall mount kit
<b>ARM-11-RS</b>	LCD Monitor/PPC Arm kit loading capacity from 3kg~7kg
<b>STAND-A08-RS</b>	LCD Monitor/PPC Stand kit for VESA 75 and support up to 5 Kg
<b>VSTAND-A07</b>	LCD Monitor/PPC STAND V type for VESA 75, 0~90 degree adjustable hinge and support up to 2.5 Kg
<b>AFLP-12BMSR-U</b>	USB Magnetic Card Reader
<b>AFLP-BRW01-U / AFLPB01-U</b>	USB Barcode Reader (White / Black)
<b>AFLP-CDB01 / AFLP-CDW01</b>	VFD Customer Display (Green) 5 x 7 dot matrix (Black / White)
<b>63000-FSP0601 AD101C-RS</b>	POWER ADAPTER, 90V-264V input and 12V/5A/60W output; PLUG $\psi$ 2.5/ $\psi$ 5.5/no lock
<b>63000-FSP0601AD101C760-RS</b>	12V/5A DC 60W power adapter with bare wire, 90~264V AC input