

# IDDUPS-6364120A/636260A/6301100

120 W / 60 W / 100 W DC/DC Converter Module, with UPS

• **BAT-LI-2S1P3000**  
Smart Battery, Li-Polymer,  
2S1P, 3000mAH



• **IDDUPS-6364120A**

• **BAT-LI-2S1P3000**  
Smart Battery, Li-Polymer,  
2S1P, 3000mAH



• **IDDUPS-6301100**

• **IDDUPS-636260A**

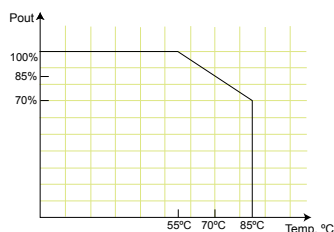


## Features

1. Load down protection
2. Over voltage protection
3. Short circuit protection
4. Over current protection
5. Smart battery charger for Li-Polymer
6. I/O interface: SMBus/I2C & RS-232
7. Support up to 2 battery packs
8. AT/ATX modes
9. Utility program: pull data out through RS-232 to system

## Specifications

- Output: Voltage (max load)
  - IDDUPS-6364120A: 5 V@10 A, 12 V@4 A, -12 V@0.3 A, 3.3 V@8 A & 5 VSB@2 A
  - IDDUPS-636260A: 5 V@10 A, 12 V@3 A, 5 VSB@0.5 A
  - IDDUPS-6301100: 12V@8.3A
- Max. total output:
  - IDDUPS-6364120A: 120 W
  - IDDUPS-636260A: 60 W
  - IDDUPS-6301100: 100 W
- Input: 6 VDC to 36 VDC / 6 VDC to 30 VDC (IDDUPS-6301100)
- Battery charge voltage: 12 V ~ 36 V
- Efficiency: up to 90%
- Dimensions: 60 mm x 160 mm
- Weight (NW) : IDDUPS-6364120A: 98 g, IDDUPS-636260A: 75 g, IDDUPS-6364120A: 82 g
- Operating temperature: -20°C ~ 85°C
- Storage temperature: -40°C ~ 125°C



## Applications



Battery backup system

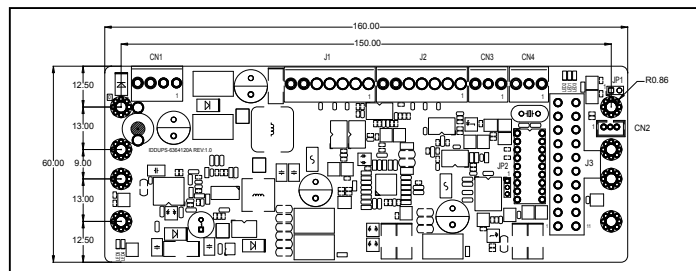


Portable equipment



Power sensitive equipment

## Dimensions (Millimeters)



## Packing information

- 1 x IDDUPS-6364120A/636260A/6301100
- 1 x QIG
- 1 x DB-9 pin connector cable (32100-157200-RS)
- 1 x CD utility software

## Ordering Information

Part No.	Description
<b>IDDUPS-6364120A-R10</b>	120 W ATX DC/DC 6-36 VDC input, 12 V, 5 V, 3.3 V, -12 V and 5 VSB power module with UPS
<b>IDDUPS-636260A-R10</b>	60 W ATX DC/DC 6-36 VDC input, 12 V, 5 V and 5 VSB power module with UPS
<b>IDDUPS-6301100-R10</b>	100 W AT DC/DC 6-30 VDC input, 12 V power module with UPS
<b>BAT-LI-2S1P3000-R20</b>	Smart battery, Li-Polymer, 2S1P, 3000 mA H
<b>CB-5PSBC-RS</b>	20 cm cable to SBC power input
<b>CB-JST3PSW-RS</b>	30 cm cable on/off switch
<b>CB-JST3P001-RS</b>	30 cm 5 VSB, PS_ON wire to SBC
<b>CB-3PSATA-RS</b>	10 cm cable for SATA power
<b>CB-3PIDE-RS</b>	10 cm cable for IDE HDD power
<b>CB-P1LP4-RS</b>	20 cm cable for FSP0601AD101C 60 W/UP0451E12P 45 W/UP0251E12PL 25 W AC-DC adapter
<b>CB-MD4P4-RS</b>	16 cm cable for 63000-FSP120AAB-RS 120 W AC-DC adapter
<b>CB-NOLP4-RS</b>	20 cm cable for terminal block DC input
<b>CB-ATX20P-RS</b>	30 cm 20-pin ATX to 20-pin ATX cable

## High Energy Density, Light Weight and Compact DC/DC UPS & Power Module

Protect your precious equipment from damage. Reduce risk of losing valuable data.

**An uninterruptible power supply provides emergency backup power when the main power is lost.**

### Benefit:

- Provides power for a certain amount of time after a power failure has occurred.
- Provides stable power to equipment during line sags and spikes.
- Absorb power surges & transients.
- Smooth out noisy power sources.

The utility software displays the following information:

- Current power source.
- Battery status.
- Charging status.
- Percentage remaining



Battery Capacity Status

## PIN Assignments

### Input Power Connector

CN1	Pin 1	Pin 2	Pin 3	Pin 4
	VIN	VIN	GND	GND

### Output Power Connector

CN3 CN4	Pin 1	Pin 2	Pin 3
	+5 V	GND	+12 V

### For IDDUPS-6364120A

J3	Standard 20-pin ATX
----	---------------------

### For IDDUPS-636260A

CN7	Pin1	Pin 2	Pin 3	Pin 4	Pin 5
	+5 V	+5 V	GND	GND	+12 V

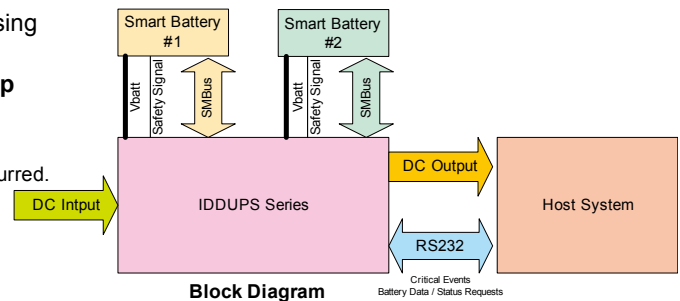
### ATX Mode Connector

CN2	Pin 1	Pin 2	Pin 3
	5 VSB	GND	PS_ON

### Battery Connector

J1 J2	Pin1	Pin 2	Pin 3	Pin 4	Pin 5	Pin 6	Pin 7
	BAT+	BAT+	Clock	Data	Temp	GND	GND

## Level 2 Smart Battery Charger & Power Modules



## Battery Pack: Part # BAT-LI-2S1P3000



Battery Type	Li-Polymer			
Pout(W)	100	80	60	40
Time(min)	8	14	22	35
Dimensions	DR202 package 148x89x20 mm			
Capacity	3000 mAh			
Weight	230 g			

## IDDUPS-636100-R10 (D281) Jumper Setting Table

### Input Power Connector Pin Define

CN1	Pin 1	Pin 2	Pin 3	Pin 4
	VIN	VIN	GND	GND

### Output Power Connector Pin Define

CN6	Pin 1	Pin 2	Pin 3	Pin 4	Pin 5
	+12V	+12V	GND	GND	GND

### USB Connector

CN11	Pin 1	Pin 2	Pin 3	Pin 4	Pin 5
	EXT_P5V	USB_D-	USB_D+	NULL	GND

## Wire Harness Selection Guide

### DC Input



#### Options 1.

PN: **CB-P1LP4-RS**

Cable for FSP0601AD101C 60 W/ UP0451E12P 45 W/UP0251E12PL 25 W AC-DC adapter



#### Options 2.

PN: **CB-MD4P4-RS**

Cable for 63000-FSP120AAB-RS 120 W AC-DC adapter



#### Options 3.

PN: **CB-NOLP4-RS**

Cable for terminal block

### SBC Main Power



#### Options 1.

PN: **CB-ATX20P-RS**

20-pin ATX to 20-pin ATX cable

### I/O Power



#### Options 1.

PN: **CB-3PSATA-RS**

Cable for SATA



#### Options 2.

PN: **CB-3PIDE-RS**

Cable for IDE HDD or any STD 4-pin I/O devices

### Power On/Off



#### Options 1.

PN: **CB-JST3PSW-RS**

Cable with on/off switch



#### Options 2.

PN: **CB-JST3P001-RS**

Cable to SBC (5 VSB & PS\_ON)