

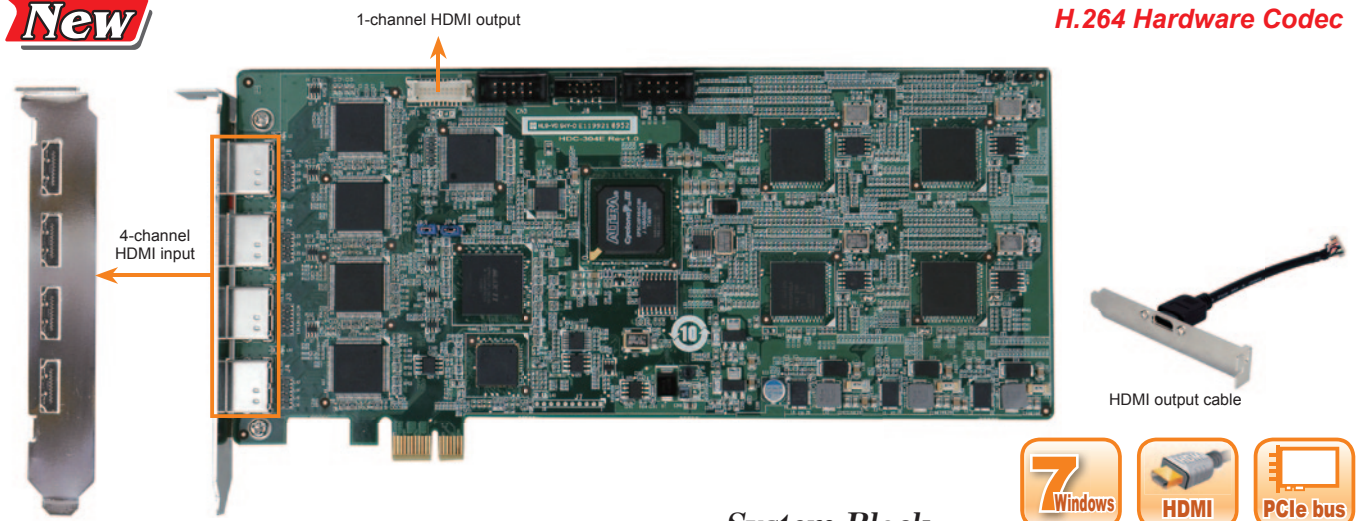
HDC-304E

PCI Express video/audio capture card with four HDMI input channels and one HDMI output channel, 1920x1080@60p, and Hardware H.264 codec



New

H.264 Hardware Codec



Features

- Compatible with Windows XP, Windows 7 and Linux
- Equipped with four HDMI input ports
- Encoding or decoding up to 1080p HD video
- Pass through for transmitting uncompressed video up to 1080p resolution
- Reduce the amount of hard disk space needed by real-time H.264 recording compression capability
- Enables the system to support up to 8-channel input by adding multiple video capture cards
- SDK available for customer to create customized applications
- PCI Express interface provides higher bandwidth and great performance

Specifications

Interface

Video Input	4 channels
Video Input type	HDMI
Audio Input	4 channels
Audio Input Type	HDMI
Video Output	1 channel
Video Output Type	HDMI output cable kit
Audio Output	1 channel
Audio Output Type	HDMI output cable kit
Bus Interface	PCIe x1
Loop Through	1 channel

Video Processing

Video Compression	H.264/AVC High Profile Level 4.2
Input Resolution & Frame Rate	1920 x 1080 x 60p/ 59.94p/ 50p 720 x 480 x 60i/59.94i 1920 x 1080 x 60i/ 59.94i/ 50i 720 x 576 x 50i 1280 x 720 x 60p/ 59.94p/ 50p
Record Resolution / Frame Rate / Bit Rate	1920 x 1080 x 60p/ 59.94p/ 50p, encoding video bit rate from 6Mbps to 30Mbps 1920 x 1080 x 60i/ 59.94i/ 50i, encoding video bit rate from 6Mbps to 24Mbps 1280 x 720 x 60p/ 59.94p/ 50p, encoding video bit rate from 4Mbps to 24Mbps 720 x 480 x 60i/59.94i, encoding video bit rate from 2Mbps to 10Mbps 720 x 576 x 50i, encoding video bit rate from 2Mbps to 10Mbps

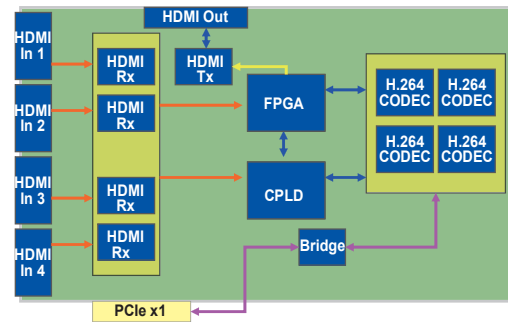
Audio Processing

Audio Compression	MPEG-1 Audio Layer2
Bitrate	256k

Packing List

1 x HDC-304E capture card	
1 x HDMI output kit	
1 x Utility CD	1 x QIG

System Block



Functionality

Multiple Card Support	2 cards, 8 channels
HDCP Compliant	Yes

System Requirement

System	x86 PC compatible computer, Intel® Pentium® 4 2.0GHz or above for video record Suggest using DXVA or CUDA capable graphic card for real-time video playback
Memory	1GB or more
OS Environment	Microsoft Windows XP Service Pack2 (SP2) (32-bit version) Microsoft DirectX 9.0c (32bit) Microsoft .NET Framework 2.0 (32 bit version) Linux: Fedora 10 (Kernel 2.6.27)

Software Support

Device Driver	Compatible with Windows XP, Windows 7, Linux Kernel 2.6.27
SDK	Windows: Provide SDK and demo program with sample source code in C# Linux: Provide SDK and driver/demo program with sample source code in C

Others

Dimensions	230 mm x 116 mm
Operation Temperature	-20°C ~ 65°C, non-condensing
Power Consumption	12.7W (12V@0.61A, 3.3V@1.63A)

Ordering Information

Part No.	Description
HDC-304E-R10	PCI Express video/audio capture card with four HDMI input channels, 1920x1080@60p, and Hardware H.264 codec

1

Industrial Computing Solutions

2

Video Capture Solutions

3

Embedded Computing Solutions

4

Industrial Data Collector and Controller

5

Panel Solutions Introduction

6

ORing Network Communication

7

Power Supply/ Peripherals