

EBC-3200

Embedded Chassis for IEI Single Voltage Mini-ITX SBC

New



Features

- ◆ Design for Mini-ITX SBC with single voltage input
- ◆ Flexible storage with CF or 2.5" HDD (optional)
- ◆ One PCI or PCIe expansion slot (optional)



Flexible design with five optional module for storage and expansion slot



Flexible storage by Optional module

2 x internal 2.5" HDD (Default)



1 x internal 2.5" HDD
1 x CF slot



1 x Expansion slot (PCI/PCIe)
1 x internal 2.5" HDD



1 x Expansion slot (PCI/PCIe)
1 x CF slot

Specifications

SBC Form Factor	Mini-ITX SBC (Single Voltage input)
Cooling Fans	2 x 4cm
Storage	2 x 2.5" HDD (Default) or support by optional module
Indicates	Power, HDD LED
Buttons	Power switch, reset
Expansions	1 x Low Profile PCI / PCIe (support by Optional module) Max Dimension: 147mm (L) x 10.5mm (D)
Color	Black
Dimensions	260mm(W) x 180mm(D) x 55 mm (H)
Weight (Net/Gross)	1.1KG/2KG
Operating temperature	-10°C ~ 50°C with air flow*
Mounting	Desktop, wall mount, VESA mount

(*Ambient air speed pre IEC-68-2-2 standard)

Compatible SBC

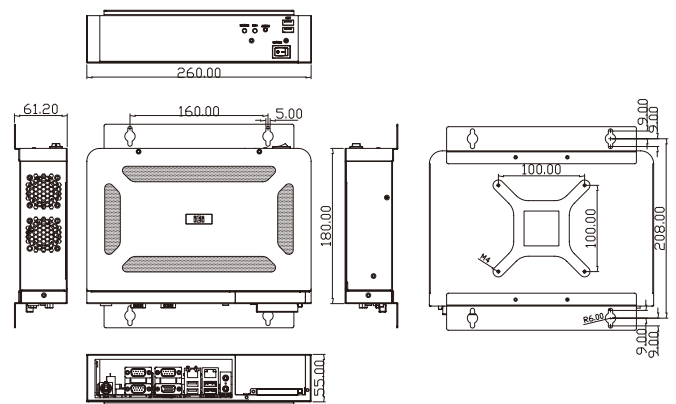
Part No.	Expansion Type (optional)	CPU Cooler
KINO-945GSE2	PCI	Fanless
eKINO-945GSE	PCI	Fanless
KINO-780EB	PCI	On Board CPU Fan
KINO-GM45A	PCI	CF-479B-RS
KINO-QM57A	PCIe x16	CF-989A-RS-R11
KINO-PVN-D5251	PCI or PCIe x1	On board CPU Fan
KINO-PV-D5252	PCI or PCIe x1	Fanless
KINO-HM551	PCIe x16	CF-989A-RS-R11

Ordering Information

Part No.	Description
EBC-3200-R10	Mini-ITX embedded chassis, compatible two 2.5" HDD, w/o power adapter, Black, RoHS
63000-FSP060DBAB1554-RS	Power Adapter; FSP060-DBAB1554; VAC:90V~264V; 12V/5A; 60W; DIN 4 PIN/WITH LOCK; 1800MM; FSP; RoHS
32000-000002-RS	European Standard Power cord, 1830mm
32000-000025-RS	American Standard Power cord, 1830mm

Optional module	
Part No.	Description
EBCKIT-01-R10/PCI-HDD	EBC-3200 optional module with 1 x PCI slot and 1 x 2.5" HDD, RoHS
EBCKIT-02-R10/PCIe-HDD	EBC-3200 optional module with 1 x PCIe x1 slot and 1 x 2.5" HDD, RoHS
EBCKIT-03-R10/PCI-CF	EBC-3200 optional module with 1 x PCI slot and 1 x CompactFlash® slot, RoHS
EBCKIT-04-R10/PCIe-CF	EBC-3200 optional module with 1 x PCIe x1 slot and 1 x CompactFlash® slot, RoHS
EBCKIT-05-R10/CF-HDD	EBC-3200 optional module with 1 x CompactFlash® slot and 1 x 2.5" HDD, RoHS
EBCKIT-06-R10/PCIe16-HDD	EBC-3200 optional module with 1 x PCIe x16 slot and 1 x 2.5" HDD, RoHS
EBCKIT-07-R10/PCIe16-CF	EBC-3200 optional module with 1 x PCIe x16 slot and 1 x CompactFlash® slot, RoHS

Dimensions (Unit: mm)



Packing List

1 x QIG	1 x screw set
2 x wall mount brackets	1 x driver CD
1 x Power cord	