

AFL2-17A-H61

Intel® 2nd Gen Core™ i7/i5/i3 Solution

AFL2-W19A-H61

Intel® 2nd Gen Core™ i7/i5/i3 Solution



Features

- Programmable colorful LED light bar
- 2nd Generation Intel® Core™ i7/ i5/ i3, Pentium® and Celeron® processor
- Two 204-pin DDR3 SO-DIMM slot (system max. 16GB) preinstalled with 4GB (2GB x 2)
- Projected capacitive touchscreen and 5-wire resistive type touchscreen supported
- Wi-Fi 802.11b/g/n 2T2R high speed wireless
- EM or Mifare RFID reader
- Built-in 1.3M pixels webcam with AF, AE and AWB capabilities
- Built-in two 2W speakers and microphone
- IP64 compliant front panel
- Auto dimming control
- Light fanless design
- K-type thermocouple temperature sensor
- Wide range 9~36 VDC input



Specifications

Model		AFL2-17A-H61	AFL2-W19A-H61	
LCD Specifications	Size	17" (4:3)	W18.9" (16:10)	
	Resolution	1280 (W) x 1024 (H)	1440 (W) X 900 (H)	
	Brightness (cd/m²)	350	250	
	Contrast Ratio	1000:1	1000:1	
	LCD Color	16.7M	16.7M	
	Pixel Pitch (mm)	0.264 (H) x 0.264 (V)	0.2835 (H) x 0.2835 (V)	
	Viewing Angle (H-V)	170° / 170°	170° / 160°	
	Backlight MTBF	50,000 (LED backlight)	30,000 (LED backlight)	
System	CPU	2nd Generation Intel® Core™ i7/ i5/ i3, Pentium® and Celeron® processor		
	Chipset	Intel® H61		
	RAM	Support two 204-pin DDR3 SO-DIMM slot (system max. 16GB) preinstalled with 4GB (2GB x 2)		
	Ethernet	Realtek RTL8111E PCIe GbE controller supports ASF 2.0		
	SSD	N/A		
	HDD	2.5" SATA 3Gb/s HDD bay		
	CD-ROM	1 x Slim Type CD-ROM bay		
	Input / Output	Expansion Interface	2 x RS-232 (DB-9 connector) RS-422/485 (DB-9 connector) 2 x GbE LAN (one on the bottom, one on the left) 2 x USB 3.0 3 x USB 2.0 (two on the bottom, one on the left) 1 x Mini USB port on front panel 1 x Micro SD card slot on front panel 1 x Line-out, Mic (on the left)	VGA port (DB-15 connector) HDMI port Power switch AT/ATX switch Reset button Clear CMOS button 9 ~ 36V DC input jack
		Expansion Interface	1 x PCIe Mini slot for Wi-Fi 1 x PCIe Mini slot reserved	
	Other Features	Audio	AMP 2W + 2W (internal speaker)	
Camera		1.3 M pixels with low light function		
RFID Reader		EM 125 KHz or Mifare 13.56 MHz card reader (optional)		
MSR Card Reader		MSR card reader (optional)		
OSD Function		LCD on/off, brightness up/down, volume up/down, Hot Key		
Ambient Light Sensor		Yes		
Infrared Remote Controller		Yes		
Touch Screen		5-wire resistive type or projected capacitive type touch screen		
LED Light Bar		Yes		
System Cooling		Light fanless (smart fan operates above default temperature setting)		
Wireless	Wireless	1 x Wireless LAN 802.11 b/g/n module (internal PCIe Mini card interface) 1 x Bluetooth function (optional internal USB interface, Bluetooth V2.0+EDR)		
	Construction Front Panel	PC + ABS Plastic		
Physical	Mounting	Panel, Wall, Rack, Stand, Arm VESA 100mm x 100mm	Panel, Wall, Stand, Arm VESA 100mm x 100mm	
	Color	Black		
	Dimensions (mm)	418 (W) x 378 (H) x 65 (D)	488 (W) x 361 (H) x 65 (D)	
	Weight (N/G)	6.9 kg / 9.0 kg	7.3 kg / 10 Kg	
Environment	Temperature (°C)	Operating: -20°C ~ 40°C, Storage: -20°C ~ 60°C		
	IP Level	IP 64 compliant front panel		
	Safety&EMC	CE / FCC		
Power	Power Supply	120W power adapter Input:100 V AC ~ 240 V AC, 50 / 60Hz, Output: 19 V DC		
	Power Requirement	9 ~ 36 VDC	9 ~ 36 VDC	
	Power Consumption	19V@5.3A	19V@5.58A	
		(Intel® Core™ i7-2600S CPU with 1333MHz 4GB DDR3 memory)	(Intel® Core™ i7-2600S CPU with 1333MHz 4GB DDR3 memory)	

Ordering Information

AFL2-W19A-H61/AFL2-W19AB-H61

Part No.	Description
Core i5	AFL2-W19A-H61-i5/R-R10 18.9" 250cd/m ² WXGA+ panel PC, Core i5 Dual Core 2xxxT CPU (Above 2.7GHz), TDP 35W, 2GB DDR3 RAM*2, 802.11b/g/n wireless module, resistive touch screen, 1.3M camera, microphone, R10
	AFL2-W19A-H61-i5/R-EM-R10 18.9" 250cd/m ² WXGA+ panel PC, Core i5 Dual Core 2xxxT CPU (Above 2.7GHz), TDP 35W, 2GB DDR3 RAM*2, 802.11b/g/n wireless module, resistive touch screen, 1.3M camera, microphone, EM card reader, R10
	AFL2-W19A-H61-i5/R-MF-R10 18.9" 250cd/m ² WXGA+ panel PC, Core i5 Dual Core 2xxxT CPU (Above 2.7GHz), TDP 35W, 2GB DDR3 RAM*2, 802.11b/g/n wireless module, resistive touch screen, 1.3M camera, microphone, MF card reader, R10
	AFL2-W19AB-H61-i5/R-R10 18.9" 250cd/m ² WXGA+ panel PC, Core i5 Dual Core 2xxxT CPU (Above 2.7GHz), TDP 35W, 2GB DDR3 RAM*2, 802.11b/g/n wireless module, resistive touch screen, 1.3M camera, microphone, without LED bar, R10
	AFL2-W19AB-H61-i5/R-EM-R10 18.9" 250cd/m ² WXGA+ panel PC, Core i5 Dual Core 2xxxT CPU (Above 2.7GHz), TDP 35W, 2GB DDR3 RAM*2, 802.11b/g/n wireless module, resistive touch screen, 1.3M camera, microphone, without LED bar, EM card reader, R10
	AFL2-W19AB-H61-i5/R-MF-R10 18.9" 250cd/m ² WXGA+ panel PC, Core i5 Dual Core 2xxxT CPU (Above 2.7GHz), TDP 35W, 2GB DDR3 RAM*2, 802.11b/g/n wireless module, resistive touch screen, 1.3M camera, microphone, without LED bar, MF card reader, R10
	AFL2-W19A-H61-i5/PC-R10 18.9" 250cd/m ² WXGA+ panel PC, Core i5 Dual Core 2xxxT CPU (Above 2.7GHz), TDP 35W, 2GB DDR3 RAM*2, 802.11b/g/n wireless module, projected capacitive touchscreen, 1.3M camera, microphone, R10
	AFL2-W19A-H61-i5/PC-EM-R10 18.9" 250cd/m ² WXGA+ panel PC, Core i5 Dual Core 2xxxT CPU (Above 2.7GHz), TDP 35W, 2GB DDR3 RAM*2, 802.11b/g/n wireless module, projected capacitive touchscreen, 1.3M camera, microphone, EM card reader, R10
	AFL2-W19A-H61-i5/PC-MF-R10 18.9" 250cd/m ² WXGA+ panel PC, Core i5 Dual Core 2xxxT CPU (Above 2.7GHz), TDP 35W, 2GB DDR3 RAM*2, 802.11b/g/n wireless module, projected capacitive touchscreen, 1.3M camera, microphone, MF card reader, R10
	AFL2-W19AB-H61-i5/PC-R10 18.9" 250cd/m ² WXGA+ panel PC, Core i5 Dual Core 2xxxT CPU (Above 2.7GHz), TDP 35W, 2GB DDR3 RAM*2, 802.11b/g/n wireless module, projected capacitive touchscreen, 1.3M camera, microphone, without LED bar, R10
	AFL2-W19AB-H61-i5/PC-EM-R10 18.9" 250cd/m ² WXGA+ panel PC, Core i5 Dual Core 2xxxT CPU (Above 2.7GHz), TDP 35W, 2GB DDR3 RAM*2, 802.11b/g/n wireless module, projected capacitive touchscreen, 1.3M camera, microphone, without LED bar, EM card reader, R10
	AFL2-W19AB-H61-i5/PC-MF-R10 18.9" 250cd/m ² WXGA+ panel PC, Core i5 Dual Core 2xxxT CPU (Above 2.7GHz), TDP 35W, 2GB DDR3 RAM*2, 802.11b/g/n wireless module, projected capacitive touchscreen, 1.3M camera, microphone, without LED bar, MF card reader, R10
Core i3	AFL2-W19A-H61-i3/R-R10 18.9" 250cd/m ² WXGA+ panel PC, Core i3 Dual Core 2xxxT CPU (Above 2.5GHz), TDP 35W, 2GB DDR3 RAM*2, 802.11b/g/n wireless module, resistive touch screen, 1.3M camera, microphone, R10
	AFL2-W19A-H61-i3/R-EM-R10 18.9" 250cd/m ² WXGA+ panel PC, Core i3 Dual Core 2xxxT CPU (Above 2.5GHz), TDP 35W, 2GB DDR3 RAM*2, 802.11b/g/n wireless module, resistive touch screen, 1.3M camera, microphone, EM card reader, R10
	AFL2-W19A-H61-i3/R-MF-R10 18.9" 250cd/m ² WXGA+ panel PC, Core i3 Dual Core 2xxxT CPU (Above 2.5GHz), TDP 35W, 2GB DDR3 RAM*2, 802.11b/g/n wireless module, resistive touch screen, 1.3M camera, microphone, MF card reader, R10
	AFL2-W19AB-H61-i3/R-R10 18.9" 250cd/m ² WXGA+ panel PC, Core i3 Dual Core 2xxxT CPU (Above 2.5GHz), TDP 35W, 2GB DDR3 RAM*2, 802.11b/g/n wireless module, resistive touch screen, 1.3M camera, microphone, without LED bar, R10
	AFL2-W19AB-H61-i3/R-EM-R10 18.9" 250cd/m ² WXGA+ panel PC, Core i3 Dual Core 2xxxT CPU (Above 2.5GHz), TDP 35W, 2GB DDR3 RAM*2, 802.11b/g/n wireless module, resistive touch screen, 1.3M camera, microphone, without LED bar, EM card reader, R10
	AFL2-W19AB-H61-i3/R-MF-R10 18.9" 250cd/m ² WXGA+ panel PC, Core i3 Dual Core 2xxxT CPU (Above 2.5GHz), TDP 35W, 2GB DDR3 RAM*2, 802.11b/g/n wireless module, resistive touch screen, 1.3M camera, microphone, without LED bar, MF card reader, R10
	AFL2-W19A-H61-i3/PC-R10 18.9" 250cd/m ² WXGA+ panel PC, Core i3 Dual Core 2xxxT CPU (Above 2.5GHz), TDP 35W, 2GB DDR3 RAM*2, 802.11b/g/n wireless module, projected capacitive touchscreen, 1.3M camera, microphone, R10
	AFL2-W19A-H61-i3/PC-EM-R10 18.9" 250cd/m ² WXGA+ panel PC, Core i3 Dual Core 2xxxT CPU (Above 2.5GHz), TDP 35W, 2GB DDR3 RAM*2, 802.11b/g/n wireless module, projected capacitive touchscreen, 1.3M camera, microphone, EM card reader, R10
	AFL2-W19A-H61-i3/PC-MF-R10 18.9" 250cd/m ² WXGA+ panel PC, Core i3 Dual Core 2xxxT CPU (Above 2.5GHz), TDP 35W, 2GB DDR3 RAM*2, 802.11b/g/n wireless module, projected capacitive touchscreen, 1.3M camera, microphone, MF card reader, R10
	AFL2-W19AB-H61-i3/PC-R10 18.9" 250cd/m ² WXGA+ panel PC, Core i3 Dual Core 2xxxT CPU (Above 2.5GHz), TDP 35W, 2GB DDR3 RAM*2, 802.11b/g/n wireless module, projected capacitive touchscreen, 1.3M camera, microphone, without LED bar, R10
	AFL2-W19AB-H61-i3/PC-EM-R10 18.9" 250cd/m ² WXGA+ panel PC, Core i3 Dual Core 2xxxT CPU (Above 2.5GHz), TDP 35W, 2GB DDR3 RAM*2, 802.11b/g/n wireless module, projected capacitive touchscreen, 1.3M camera, microphone, without LED bar, EM card reader, R10
	AFL2-W19AB-H61-i3/PC-MF-R10 18.9" 250cd/m ² WXGA+ panel PC, Core i3 Dual Core 2xxxT CPU (Above 2.5GHz), TDP 35W, 2GB DDR3 RAM*2, 802.11b/g/n wireless module, projected capacitive touchscreen, 1.3M camera, microphone, without LED bar, MF card reader, R10
Pentium	AFL2-W19A-H61-P/R-R10 18.9" 250cd/m ² WXGA+ panel PC, Pentium Dual Core G6xxT CPU (Above 2.2GHz), TDP 35W, 2GB DDR3 RAM*2, 802.11b/g/n wireless module, resistive touch screen, 1.3M camera, microphone, R10
	AFL2-W19A-H61-P/R-EM-R10 18.9" 250cd/m ² WXGA+ panel PC, Pentium Dual Core G6xxT CPU (Above 2.2GHz), TDP 35W, 2GB DDR3 RAM*2, 802.11b/g/n wireless module, resistive touch screen, 1.3M camera, microphone, EM card reader, R10
	AFL2-W19A-H61-P/R-MF-R10 18.9" 250cd/m ² WXGA+ panel PC, Pentium Dual Core G6xxT CPU (Above 2.2GHz), TDP 35W, 2GB DDR3 RAM*2, 802.11b/g/n wireless module, resistive touch screen, 1.3M camera, microphone, MF card reader, R10
	AFL2-W19AB-H61-P/R-R10 18.9" 250cd/m ² WXGA+ panel PC, Pentium Dual Core G6xxT CPU (Above 2.2GHz), TDP 35W, 2GB DDR3 RAM*2, 802.11b/g/n wireless module, resistive touch screen, 1.3M camera, microphone, without LED bar, R10
	AFL2-W19AB-H61-P/R-EM-R10 18.9" 250cd/m ² WXGA+ panel PC, Pentium Dual Core G6xxT CPU (Above 2.2GHz), TDP 35W, 2GB DDR3 RAM*2, 802.11b/g/n wireless module, resistive touch screen, 1.3M camera, microphone, without LED bar, EM card reader, R10
	AFL2-W19AB-H61-P/R-MF-R10 18.9" 250cd/m ² WXGA+ panel PC, Pentium Dual Core G6xxT CPU (Above 2.2GHz), TDP 35W, 2GB DDR3 RAM*2, 802.11b/g/n wireless module, resistive touch screen, 1.3M camera, microphone, without LED bar, MF card reader, R10
	AFL2-W19A-H61-P/PC-R10 18.9" 250cd/m ² WXGA+ panel PC, Pentium Dual Core G6xxT CPU (Above 2.2GHz), TDP 35W, 2GB DDR3 RAM*2, 802.11b/g/n wireless module, projected capacitive touchscreen, 1.3M camera, microphone, R10
	AFL2-W19A-H61-P/PC-EM-R10 18.9" 250cd/m ² WXGA+ panel PC, Pentium Dual Core G6xxT CPU (Above 2.2GHz), TDP 35W, 2GB DDR3 RAM*2, 802.11b/g/n wireless module, projected capacitive touchscreen, 1.3M camera, microphone, EM card reader, R10
	AFL2-W19A-H61-P/PC-MF-R10 18.9" 250cd/m ² WXGA+ panel PC, Pentium Dual Core G6xxT CPU (Above 2.2GHz), TDP 35W, 2GB DDR3 RAM*2, 802.11b/g/n wireless module, projected capacitive touchscreen, 1.3M camera, microphone, MF card reader, R10
	AFL2-W19AB-H61-P/PC-R10 18.9" 250cd/m ² WXGA+ panel PC, Pentium Dual Core G6xxT CPU (Above 2.2GHz), TDP 35W, 2GB DDR3 RAM*2, 802.11b/g/n wireless module, projected capacitive touchscreen, 1.3M camera, microphone, without LED bar, R10
	AFL2-W19AB-H61-P/PC-EM-R10 18.9" 250cd/m ² WXGA+ panel PC, Pentium Dual Core G6xxT CPU (Above 2.2GHz), TDP 35W, 2GB DDR3 RAM*2, 802.11b/g/n wireless module, projected capacitive touchscreen, 1.3M camera, microphone, without LED bar, EM card reader, R10
	AFL2-W19AB-H61-P/PC-MF-R10 18.9" 250cd/m ² WXGA+ panel PC, Pentium Dual Core G6xxT CPU (Above 2.2GHz), TDP 35W, 2GB DDR3 RAM*2, 802.11b/g/n wireless module, projected capacitive touchscreen, 1.3M camera, microphone, without LED bar, MF card reader, R10

Packing List

Item	P/N	Q'ty	Description
Utility CD		1	drivers and user manual
One Key Recovery CD		1	
Power Adapter	63000-FSP120AAB-RS	1	FSP120-AAB;90-264VAC input ; 120W ;19VAC output
Power Cord	32702-000401-100-RS	1	European, 1500mm
Power Transfer Cord	32000-089400-RS	1	
Infrared Remote Controller	7Z000-SLPCB005-RS	1	
M3 Screw Pack	44013-030041-RS	4	M3 x 4 for securing HDD
M4 Screw Pack	44033-040061-RS	4	M4 x 4 for VESA screw
I/O Bracket	41013-0290C2-00-RS	1	I/O Bracket
Temperature Sensor Cable	32133-004300-100-RS	1	
Pen	43125-0002C0-00-RS	1	For Resistive Touch

CD-RW/DVD-RW Driver Spec.

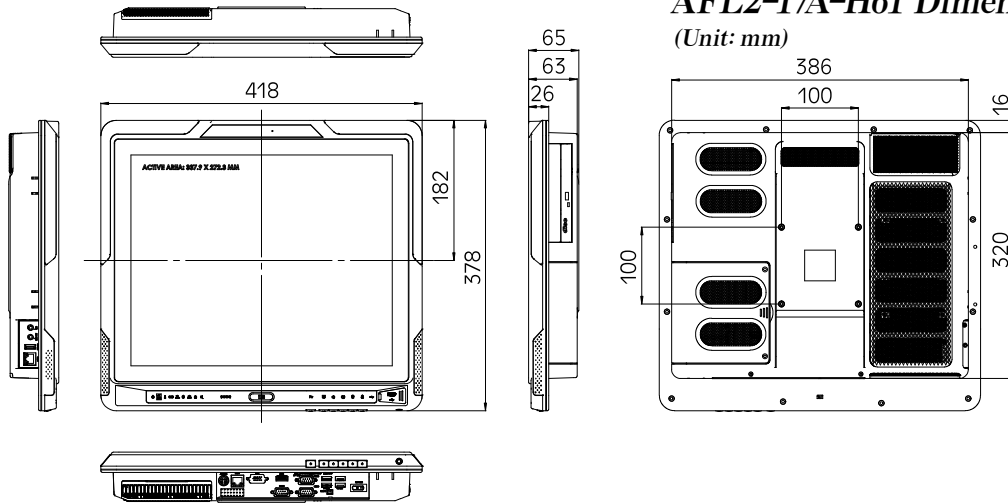
The drive is able to write CD-R/RW disks, DVD+R/RW disks and DVD-R/RW disks

Drive Type	Internal Slim CD-RW/DVD Combo Drive	
Data Transfer Rate	Write: DVD+R/DVD+RW/DVD-R: 8X DVD-RW: 6X CD-R/CD-RW: 24X	Read: DVD-ROM: 8X CD-ROM: 24X
Interface	SATA	
Buffer Memory	2MB	

AFL2-17A-H61 AFL2-W19A-H61



AFL2-17A-H61 Dimensions (Unit: mm)



AFL2-W19A-H61 Dimensions (Unit: mm)

