

In-Wall Mount Solutions

AFL-4xxA series

Customizable Slim Bezel + In Wall Mount

- 8.0"~15" Highly Customizable All-in-One System**
 The system is extremely configurable, semi-open frame system equipped with customizable faceplate, and flexible LCD size options to match your diverse style and OEM/ODM project request.
- Easy In-Wall Mount Mechanical Design**
 In-wall mounting just three simple steps: cut-out the panel, screw on and put on the faceplate
- Fanless Intel® Atom™ Platform**
 An on-board 1.6GHz Intel® Atom™ N270 CPU ensures low power requirements. Metal casting design housing replaces the fan as it helps the dissipate heat.
- Changeable Faceplate/Sticker Skin**
 Multiple faceplate/skin sticker available to match diverse decoration styles



1. Customizable Front Bezel

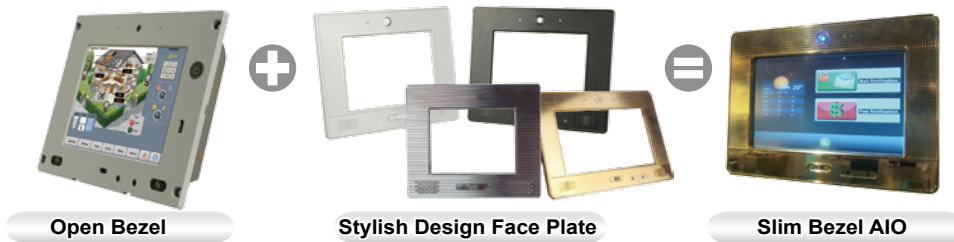
Highly customizable ideal for OED/ODM project

The AFOLUX 4 Series with its metal casing and open front with flexible faceplate options for easy integration into your mechanical housing.

Available in 3 color finishes: white, black or gray finish. (Standard model support)

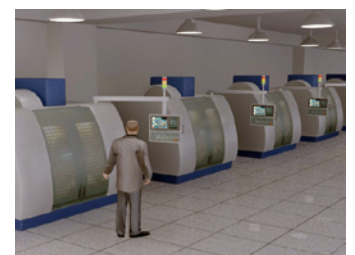


A. Stylish Front Bezel Custom



Self-Service KIOSK in the Museum

B. Function Added Front Bezel Custom



CNC Machine Control Panel

2. Sleek In Wall Mounting



■ Benefits of In-Wall Mounting:

- In wall mounting way can hide power cord and wall electric outlet provides a flush fit against wall
- Never tire of your fireplace design because it can be customized to suit any decor. Change your front bezel design for a season, any holiday or to focus on a party theme.
- Frame allows for a finished look
- Space saving



■ In Wall Cage Available

The IWC series is designed to house the AFL-4xxA for 8.0"~15" panel displays. It comes with knockouts for power and signal cables

■ In-Wall Mount Residential Automation



AFL-4xxA 10 mm General PPC 22 mm



3. Digital Input Output ON/OFF control



The DIO (digital input output) ports provides a 4-channel ON/OFF control for the external devices like Relay.

Super IO		
GPI (Get Status)	↑ ↓	GPO Action (Open / Close)
Control Block		
Low Level High Level	↑ ↓	Low Level High Level

4. Built-in Ambient Light Sensor

AFL-4xxx series built in the ambient light sensor in front of the panel to automatically detect the amount of light in the viewing environment and auto-adjusts the brightness of the screen.

Benefits:

- Avoid eye strained and tired, to provide comfortable viewing
- Power consumption saving
- Extend lamp lifetime



5. Rich Multimedia Device Built-in

AFOLUX 4 Series integrated with Intel Atom N270 processor down to 0.65W, but has great performance of playing multimedia files and great graphic engine. • Built-in High Resolution 300K Pixels Webcam • Built-in High-Performance 2 Channel Stereo Speakers, and Microphone



Built-in 300K pixel webcam with Digital microphone



Built in two 1.5W Speakers

6. Communication Capabilities



■ Support 3.75G Network

With Cyberbook, 3.75G(HSUPA7.2) network and WiFi base on 802.11 b/g are available for your inside and inside computer life.



■ Wi-Fi

The integrated PIFA antenna on the AFOLUX ensures an uninterrupted wireless connection. PIFA type antennas can receive high-quality, uniform signals in any location.



■ Bluetooth

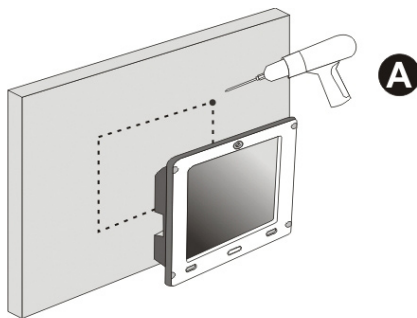
A preinstalled Bluetooth module communicates with a wide range of electronic products from PDAs, cellular phones and printers, to barcode readers.



7. Easy In-wall Installation in Minutes

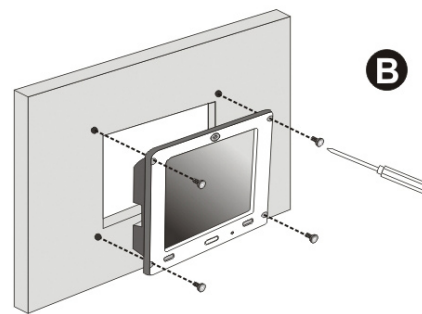
(A) Cut Out the Panel

Select the position on the panel to mount the flat panel PC. Cut out a section from the panel that corresponds to the rear panel dimensions.

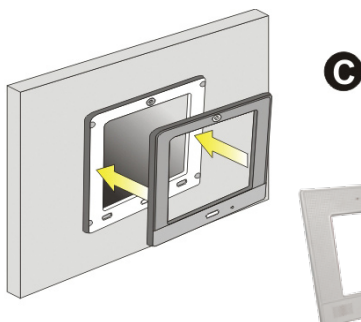


(B) Screw On

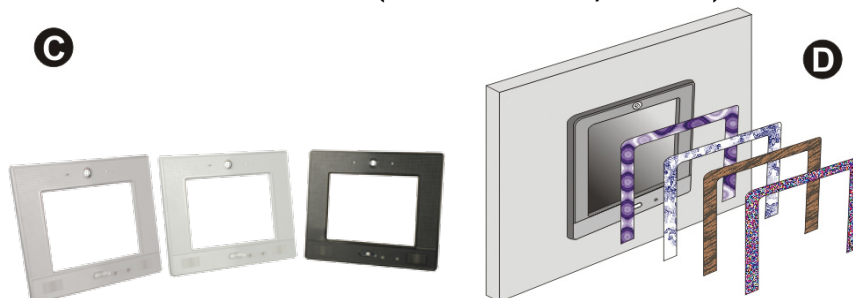
Tighten the screws that pass through the panel mounting holes until the screws are firmly secured to the panel.



(C) Put on the Faceplate



(D) Changeable Faceplate Sticker Skin (Customize by Order)



In-Wall Mount Solutions

AFL-408A-N270

8.4" SVGA Fanless In-Wall Panel PC

AFL-408B-N270

8.0" SVGA Fanless In-Wall Panel PC

AFL-W410A-N270

Wide 10.2" SVGA Fanless In-Wall Panel PC



Features

- 8" ~ 15" TFT LCD with resistive touch screen.
- Fanless system with Intel® Atom™ processor N270 1.6GHz CPU
- Changeable faceplate and sticker skin
- In-wall mechanism design installs in minutes
- Build-in CMOS camera with digital microphone and two 1.5W speakers for multimedia applications (Optional)
- Easy access to the internet through a HSUPA network (Optional)
- Connect peripheral devices through a built-in Bluetooth connection to reduce the amount of cables in the workspace
- VESA-mountable for flexible in mounting and deployment
- Ambient light sensor detects ambient light adjusts screen settings to optimize viewing.
- One Digital I/O (4 input/4 output)
- IEI One Key Recovery solution allows you to create rapid OS backup and recovery (Suggest over 4GB storage capacity)

Specifications

Economical Version

Economical Version

Model		AFL-408A-N270	AFL-408B-N270	AFL-W410A-N270
Display	LCD Size	8.4"	8.0"	10.2"
	Max Resolution	800 * 600	800 * 600	1024 * 600
	Brightness (cd/m ²)	450	250	400
	Contrast Ratio	600 : 1	500 : 1	400 : 1
	LCD Color	262K	262K	262K
	Pixel Pitch (mm)	0.213(H) x 0.213(V)	0.2025(H) x 0.2025(V)	0.2175(H) x 0.2175(V)
	Viewing Angle (H-V)	160° / 140°	140° / 130°	140° / 110°
	Backlight MTBF (hrs)	50000	30000	40000
Motherboard	CPU	Intel® Atom™ process N270 1.6GHz CPU		
	Chipset	Intel® 945GSE + ICH7M		
	RAM	Supports one 400MHz or 533MHz DDRII SO-DIMM (2GB Max.)		
I/O Ports and Switches		1 x RJ-45 for RS-232 COM Port 1 x RJ-45 for RS-232/422/485 COM Port 1 x RJ-45 for Giga LAN 5 x USB 2.0 (4 in the rear, 1 in front panel) 2 x Power Switch (Inside Fornt Panel & Rear cover) 1 x Reset Button 1 x DIO (4in / 4out) 1 x Terminal block for 10~28VDC Input 1 x VGA Port 1 x Power Jack	1 x RJ-45 for RS-232 COM Port 1 x RJ-45 for RS-232/422/485 COM Port 1 x RJ-45 for Giga LAN 5 x USB 2.0 (4 in the rear, 1 in front panel) 2 x Power Switch (Inside Fornt Panel & Rear cover) 1 x Reset Button 1 x DIO (4in / 4out) 1 x Terminal block for 10~28VDC Input 1 x VGA Port 1 x Power Jack	1 x RJ-45 for RS-232 COM Port 1 x RJ-45 for RS-232/422/485 COM Port 1 x RJ-45 for Giga LAN 5 x USB 2.0 (4 in the rear, 1 in front panel) 2 x Power Switch (Inside Fornt Panel & Rear cover) 1 x Reset Button 1 x DIO (4in / 4out) 1 x Terminal block for 10~28VDC Input 1 x VGA Port 1 x Power Jack
	SSD	CF Typell		
Driver Bay	HSUPA Mobile Solution(Optional)	N/A	N/A	1 x HSUPA Mobile Module (USB Interface)
	Watchdog Timer	Software programmable supports 1~255 sec. system reset		
Other Function	Audio	AMP 1.5W + 1.5W (Internal Speaker)		
	WiFi	1 x Wireless Lan 802.11 b/g/n Module (internal Mini PCIe interface)		
	Bluetooth	1 x Bluetooth Function (internal USB interface, Bluetooth V2.0)	--	--
	Webcam and Digital Microphone	1 x 300K pixel Camera with Digital Microphone (internal USB interface)	--	1 x 300K pixel Camera with Digital Microphone (internal USB interface)
	Remote Control	1 x Remote Controller (LCD On/Off; System Power On/Off; Volume; Brightness)		
Physical	LED Function	1 x Power ON/OFF LED on Front Panel		
	Construction Material	ABS + PC Plastic front frame		
	LED Function	1 x Power ON/OFF LED on Front Panel		
	Mounting	Panel, Wall VESA 75mm x 75mm / 100mm x 100mm		
	Front Panel Color	Black (Black U) / White (Apple white) / Gray (422C)		
Environment	Dimensions (WxHxD) (mm)	263.2 x 221.2 x 54.4	263.2 x 221.2 x 54.4	313.83 x 222.13 x 52.5
	Operation Temperature (°C)	-10°C ~50°C		
	Storage Temperature (°C)	-20°C ~60°C		
	Net Weight	0.8 Kg	0.8 Kg	1.5 Kg
	IP Level	IP63	IP63	IP63
	EMC	CE, FCC, CCC	CE, FCC, CCC	CE, FCC, CCC
Touch Screen	Safety	CB	CB	CB
		Resistive Type 4-Wire (Touch controller IC is on board)		Resistive Type 5-Wire (Touch controller IC is on board)
Power Adapter	P/N: 63000-FSP036RAB608-RS / 36W Power Adapter / Input: 90VAC~264VAC, 50/60Hz / Output: 12VDC			
Power Requirement	10~28VDC	10~28VDC	10~28VDC	10~28VDC
Power Consumption	25W	25W	25W	28W

In-Wall Mount Solutions

AFL-412A-N270

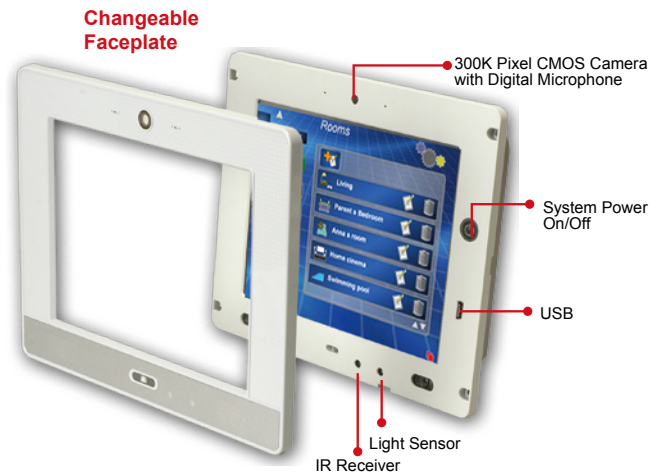
12.1" XGA Fanless In-Wall Panel PC

AFL-415A-N270

15" XGA Fanless In-Wall Panel PC

AFL-415AE-N270

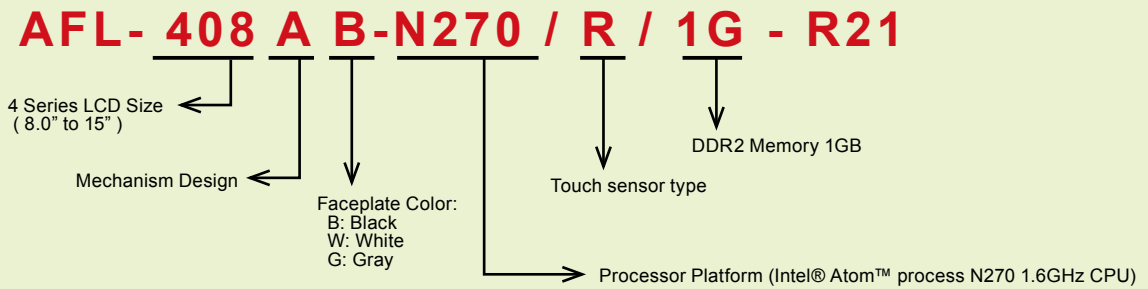
15" XGA Economical Fanless In-Wall Panel PC



Specifications

Model		AFL-412A-N270	AFL-415A-N270	AFL-415AE-N270
Display	LCD Size	12.1"	15"	15
	Max Resolution	1024 * 768	1024 x 768	1024 x 768
	Brightness (cd/m ²)	500	350	250
	Contrast Ratio	700 : 1	700 : 1	600 : 1
	LCD Color	262K	262K	16.2M
	Pixel Pitch (mm)	0.3075(H) x 0.3075(V)	0.297(H) x 0.297(V)	0.297(H) x 0.297(V)
	Viewing Angle (H-V)	160° / 160°	140° / 125°	160° / 160°
	Backlight MTBF (hrs)	50000	50000	40000
Motherboard	CPU	Intel® Atom™ process N270 1.6GHz CPU		
	Chipset	Intel® 945GSE + ICH7M		
	RAM	Supports one 400MHz or 533MHz DDRII SO-DIMM (2GB Max.)		
I/O Ports and Switches		1 x RJ-45 for RS-232 COM Port 1 x RJ-45 for RS-232/422/485 COM Port 1 x RJ-45 for Giga LAN 5 x USB 2.0 (4 in the rear, 1 in front panel) 2 x Power Switch (Inside Front Panel & Rear cover) 1 x Reset Button 1 x DIO (4in / 4out) 1 x Terminal block for 10~28VDC Input 1 x VGA Port 1 x Power Jack		
Driver Bay	HDD Drive Bay	1 x 2.5 SATA HDD bay or Option HSUPA Module		
	SSD	CF Typell		
	HSUPA Mobile Solution (Optional)	1 x HSUPA Mobile Module (USB Interface)		
Other Function	Watchdog Timer	Software programmable supports 1~255 sec. system reset		
	Audio	AMP 1.5W + 1.5W (internal speaker)	AMP 3W + 3W (internal speaker)	AMP 3W + 3W (internal speaker)
	WiFi	1 x Wireless Lan 802.11 b/g/n Module (internal Mini PCIe interface)		
	Bluetooth	1 x Bluetooth Function (internal USB interface, Bluetooth V2.0)		
	Webcam and Digital Microphone	1 x 300K pixel Camera with Digital Microphone (internal USB interface)		
	Remote Control	1 x Remote Controller (LCD On/Off; System Power On/Off; Volume; Brightness)		
Physical	LED Function	1 x Power ON/OFF LED on Front Panel		
	Construction Material	ABS + PC Plastic front frame		
	Mounting	Panel, Wall VESA 75mm x 75mm / 100mm x 100mm		
	Front Panel Color	Black (Black U) / White (Apple white) / Gray (422C)		
	Dimensions (WxHxD) (mm)	339 x 276 x 51.6	385.7 x 330.7 x 55.5	385.7 x 330.7 x 55.5
Environment	Operation Temperature (°C)	0°C ~40°C with 2.5 SATA HDD / -10°C ~50°C with CF Card or SATA interface 2.5 SSD HDD		
	Storage Temperature (°C)	-20°C ~60°C	-20°C ~60°C	-20°C ~60°C
	Net Weight	1.8 Kg	3.2 Kg	3.2 Kg
	IP Level	IP63	IP63	IP63
	EMC	CE, FCC, CCC	CE, FCC, CCC	CE, FCC, CCC
	Safety	CB	CB	CB
Touch Screen		Resistive Type 5-Wire (Touch controller IC is on board)		
Power Adapter		P/N: 63000-FSP050DBAB1405-RS 50W Power Adapter Input: 90VAC~264VAC, 50/60Hz Output: 12VDC	P/N: 63000-FSP060DBAB1553-RS 60W Power Adapter Input: 90VAC~264VAC, 50/60Hz Output: 12VDC	
Power Requirement		10~28VDC	10~28VDC	10~28VDC
Power Consumption		32W	49W	49W

AFL-4xxx In-wall PPC Product Line Naming Rule

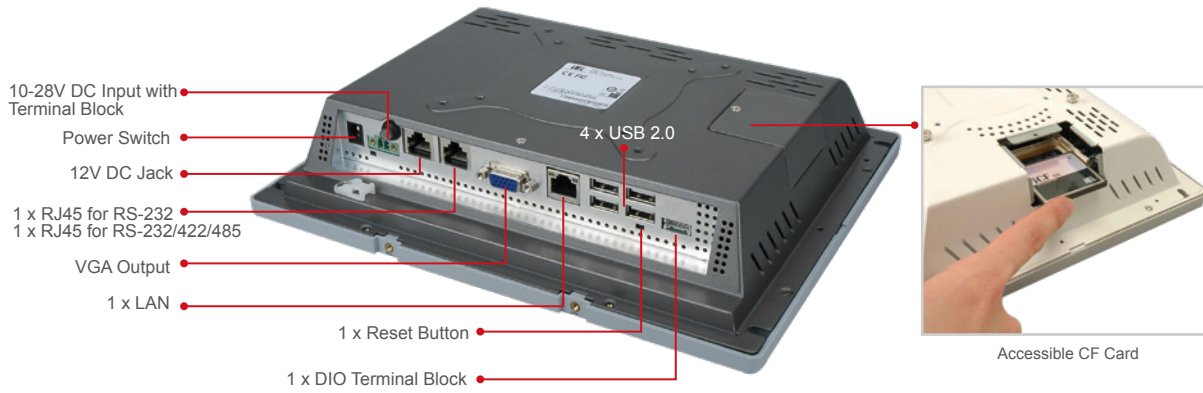


Ordering Information

Model	Description
8"	AFL-408BB-N270/R/1G-R21 8.0" 250 cd/m ² , 800x600 fanless In-Wall panel PC with Intel® Atom™ N270 1.6G CPU, 1GB DDR2 RAM, AT/ATX mode, 802.11b/g/n Wireless, Touch screen and 10-28VDC Wide Range, Black color, R21, RoHS
	AFL-408BW-N270/R/1G-R21 8.0" 250 cd/m ² , 800x600 fanless In-Wall panel PC with Intel® Atom™ N270 1.6G CPU, 1GB DDR2 RAM, AT/ATX mode, 802.11b/g/n Wireless, Touch screen and 10-28VDC Wide Range, White Color, R21, RoHS
	AFL-408BG-N270/R/1G-R21 8.0" 250 cd/m ² , 800x600 fanless In-Wall panel PC with Intel® Atom™ N270 1.6G CPU, 1GB DDR2 RAM, AT/ATX mode, 802.11b/g/n Wireless, Touch screen and 10-28VDC Wide Range, Gray Color, R21, RoHS
8.4"	AFL-408AB-N270/R/1G-R21 8.4" 450 cd/m ² , 800x600 fanless In-Wall panel PC with Intel® Atom™ N270 1.6G CPU, 1GB DDR2 RAM, AT/ATX mode, 802.11b/g/n Wireless, Bluetooth, 300K Pixel Camera W/Microphone, Touch screen and 10-28VDC Wide Range, Black color, R21, RoHS
	AFL-408AW-N270/R/1G-R21 8.4" 450 cd/m ² , 800x600 fanless In-Wall panel PC with Intel® Atom™ N270 1.6G CPU, 1GB DDR2 RAM, AT/ATX mode, 802.11b/g/n Wireless, Bluetooth, 300K Pixel Camera W/Microphone, Touch screen and 10-28VDC Wide Range, White Color, R21, RoHS
	AFL-408AG-N270/R/1G-R21 8.4" 450 cd/m ² , 800x600 fanless In-Wall panel PC with Intel® Atom™ N270 1.6G CPU, 1GB DDR2 RAM, AT/ATX mode, 802.11b/g/n Wireless, Bluetooth, 300K Pixel Camera W/Microphone, Touch screen and 10-28VDC Wide Range, Gray Color, R21, RoHS
10.2"	AFL-W410AB-N270/R/1G-R21 10.2" 400 cd/m ² , 1024x600 fanless In-Wall panel PC with Intel® Atom™ N270 1.6G CPU, 1GB DDR2 RAM, AT/ATX mode, 802.11b/g/n Wireless, Touch screen and 10-28VDC Wide Range, Black color, R21, RoHS
	AFL-W410AW-N270/R/1G-R21 10.2" 400 cd/m ² , 1024x600 fanless In-Wall panel PC with Intel® Atom™ N270 1.6G CPU, 1GB DDR2 RAM, AT/ATX mode, 802.11b/g/n Wireless, Touch screen and 10-28VDC Wide Range, White Color, R21, RoHS
	AFL-W410AG-N270/R/1G-R21 10.2" 400 cd/m ² , 1024x600 fanless In-Wall panel PC with Intel® Atom™ N270 1.6G CPU, 1GB DDR2 RAM, AT/ATX mode, 802.11b/g/n Wireless, Touch screen and 10-28VDC Wide Range, Gray Color, R21, RoHS
12.1"	AFL-412AB-N270/R/1G-R21 12.1" 500 cd/m ² , 1024x768 fanless In-Wall panel PC with Intel® Atom™ N270 1.6G CPU, 1GB DDR2 RAM, AT/ATX mode, 802.11b/g/n Wireless, Bluetooth, 300K Pixel Camera W/Microphone, Touch screen and 10-28VDC Wide Range, Black color, R21, RoHS
	AFL-412AW-N270/R/1G-R21 12.1" 500 cd/m ² , 1024x768 fanless In-Wall panel PC with Intel® Atom™ N270 1.6G CPU, 1GB DDR2 RAM, AT/ATX mode, 802.11b/g/n Wireless, Bluetooth, 300K Pixel Camera W/Microphone, Touch screen and 10-28VDC Wide Range, White color, R21, RoHS
	AFL-412AG-N270/R/1G-R21 12.1" 500 cd/m ² , 1024x768 fanless In-Wall panel PC with Intel® Atom™ N270 1.6G CPU, 1GB DDR2 RAM, AT/ATX mode, 802.11b/g/n Wireless, Bluetooth, 300K Pixel Camera W/Microphone, Touch screen and 10-28VDC Wide Range, Gray color, R21, RoHS
15"	AFL-415AB-N270/R/1G-R21 15" 350 cd/m ² , 1024x768 fanless In-Wall panel PC with Intel® Atom™ N270 1.6G CPU, 1GB DDR2 RAM, AT/ATX mode, 802.11b/g/n Wireless, Bluetooth, 300K Pixel Camera W/Microphone, Touch screen and 10-28VDC Wide Range, Black color, R21, RoHS
	AFL-415AW-N270/R/1G-R21 15" 350 cd/m ² , 1024x768 fanless In-Wall panel PC with Intel® Atom™ N270 1.6G CPU, 1GB DDR2 RAM, AT/ATX mode, 802.11b/g/n Wireless, Bluetooth, 300K Pixel Camera W/Microphone, Touch screen and 10-28VDC Wide Range, White color, R21, RoHS
	AFL-415AG-N270/R/1G-R21 15" 350 cd/m ² , 1024x768 fanless In-Wall panel PC with Intel® Atom™ N270 1.6G CPU, 1GB DDR2 RAM, AT/ATX mode, 802.11b/g/n Wireless, Bluetooth, 300K Pixel Camera W/Microphone, Touch screen and 10-28VDC Wide Range, Gray color, R21, RoHS
15"	AFL-415AEB-N270/R/1G-R21 15" 250 cd/m ² , 1024x768 fanless In-Wall panel PC with Intel® Atom™ N270 1.6G CPU, 1GB DDR2 RAM, AT/ATX mode, 802.11b/g/n Wireless, Bluetooth, 300K Pixel Camera W/Microphone, Touch screen and 10-28VDC Wide Range, Black color, R21, RoHS
	AFL-415AEW-N270/R/1G-R21 15" 250 cd/m ² , 1024x768 fanless In-Wall panel PC with Intel® Atom™ N270 1.6G CPU, 1GB DDR2 RAM, AT/ATX mode, 802.11b/g/n Wireless, Bluetooth, 300K Pixel Camera W/Microphone, Touch screen and 10-28VDC Wide Range, White color, R21, RoHS
	AFL-415AEG-N270/R/1G-R21 15" 250 cd/m ² , 1024x768 fanless In-Wall panel PC with Intel® Atom™ N270 1.6G CPU, 1GB DDR2 RAM, AT/ATX mode, 802.11b/g/n Wireless, Bluetooth, 300K Pixel Camera W/Microphone, Touch screen and 10-28VDC Wide Range, Gray color, R21, RoHS

ISMM Support Functions

	Voltage	Fan	Smart Fan	Temperature	DIO	WDT	Beep
AFL-408A-N270	V			V	V	V	V
AFL-408B-N270							
AFL-W410A-N270	V			V	V	V	V
AFL-412A-N270	V			V	V	V	V
AFL-415A-N270	V			V	V	V	V
AFL-415AE-N270							



Options

Model	AFL-408A-N270	AFL-408B-N270	AFL-W410A-N270	AFL-412A-N270	AFL-415A-N270	AFL-415AE-N270
Wall Mounting Kit	AFLWK-12			AFLWK-19		
ARM	ARM-11-RS / ARM-31-RS					
Stand	STAND-A08 / STAND-100-RS		STAND-A12 / STAND-100-RS		STAND-A19, STAND-B19, STAND-210-R11 STAND-A19, STAND-B19, STAND-210-R11	
VSTAND	VSTAND-A10			VSTAND-A12	N/A	N/A
9-30VDC to 12VDC converter module	IDD-930160-KIT				N/A	N/A
OS	OS: Win CE 5.0 (128 MB CF card)	AFLCF-408A-N270-CE-R21		AFLCF-W410-N270-CE-R21	AFLCF-412-N270-CE-R21	AFLCF-415-N270-CE-R21
	OS: Win CE 6.0 (128 MB CF card)	AFLCF-408A-N270-CE060-R21		AFLCF-W410-N270-CE060-R21	AFLCF-412-N270-CE060-R21	AFLCF-415A-N270-CE060-R21
	OS: Win XPE (1 GB CF card)	AFLCF-408A-N270-XPE-R21		AFLCF-W410-N270-XPE-R21	AFLCF-412-N270-XPE-R21	AFLCF-415A-N270-XPE-R21
	OS: Linux (2 GB CF card)	AFLCF-408A-N270-LNX-R21		AFLCF-W410-N270-LNX-R21	AFLCF-412-N270-LNX-R21	AFLCF-415A-N270-LNX-R21
DC 12V Input UPS	AUPS-A10-R10				AUPS-B10-R10	
DC 9-36V Input UPS	AUPS-A20-R10				AUPS-B20-R10	
Faceplate (Black Color)	AFLFP-408A-B-R10	AFLFP-408B-B-R10	AFLFP-W410A-B-R10	AFLFP-412A-B-R10	AFLFP-415A-B-R10	
Faceplate (White Color)	AFLFP-408A-W-R10	AFLFP-408B-W-R10	AFLFP-W410A-W-R10	AFLFP-412A-W-R10	AFLFP-415A-W-R10	
Faceplate (Gray Color)	AFLFP-408A-G-R10	AFLFP-408B-G-R10	AFLFP-W410A-G-R10	AFLFP-412A-G-R10	AFLFP-415A-G-R10	
In-Wall Cage (Options)	AFLIWC-408-R10	AFLIWC-408-R10	AFLIWC-W410-R10	AFLIWC-412-R10	AFLIWC-415-R10	AFLIWC-415-R10

Note: Win CE application without digital microphone function

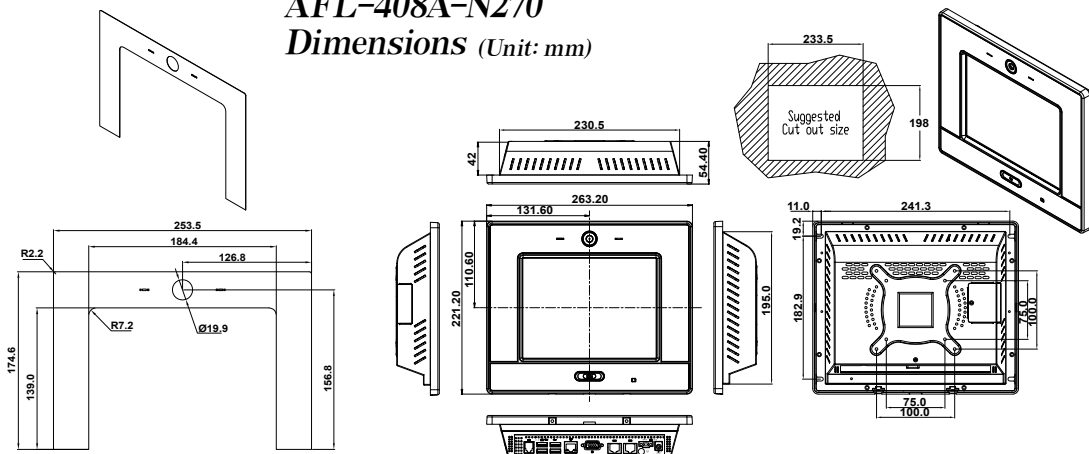
Packing List

Item	P/N	Q'ty	Specifications
Screws	44233-030081-RS	4	M3; φ8mm
Power Adapter	63000-FSP036RAB608-RS	1	90 ~ 264V 12v; 36W / 50W / 60W
	63000-FSP050DBAB1405-RS		
	63000-FSP060DBAB1553-RS		
Power Cable	32000-000002-RS	1	1750mm, European Standard
User's Manual CD ROM	7B000-000087-RS	1	
Touch Pen	43125-0002C0-RS	1	
Remote Control Unit	72000-8T00320ICP05G-RS	1	

Changeable Faceplate:

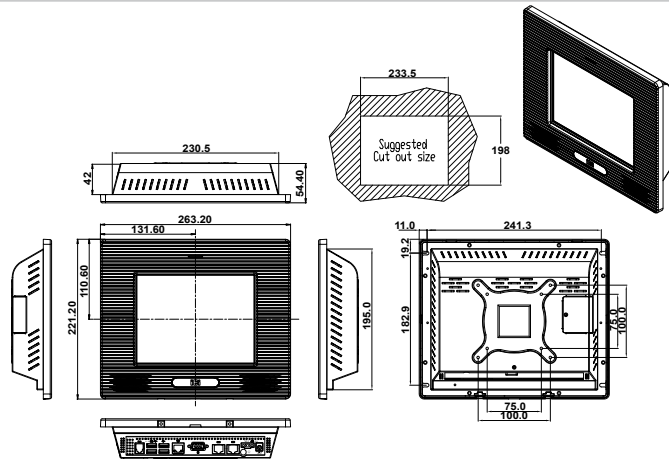
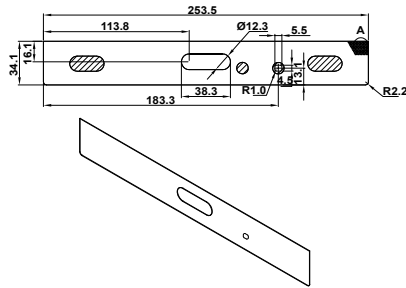


AFL-408A-N270 Dimensions (Unit: mm)



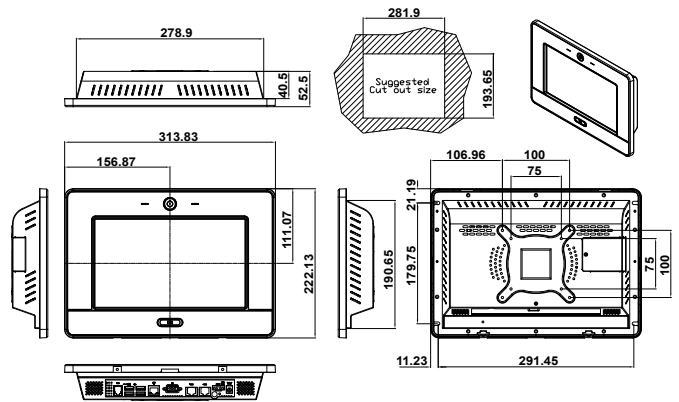
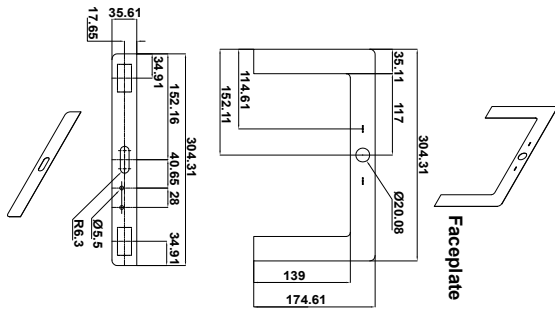
AFL-408B-N270

Dimensions (Unit: mm)



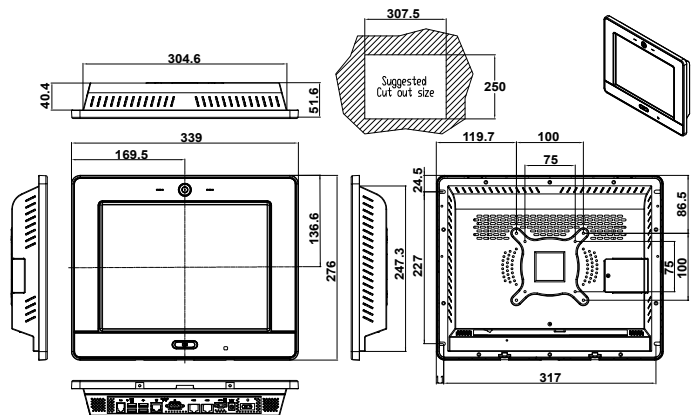
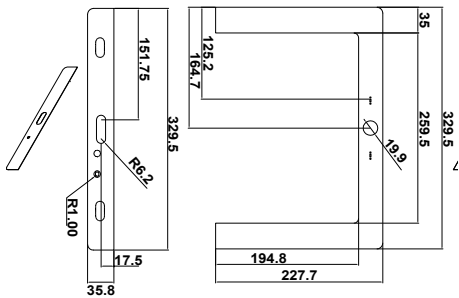
AFL-W410A-N270

Dimensions (Unit: mm)



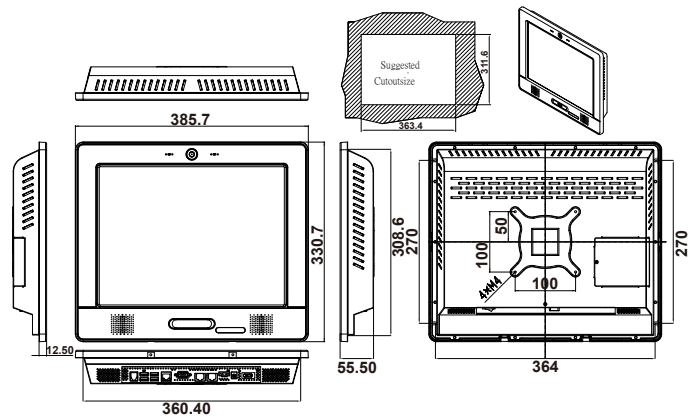
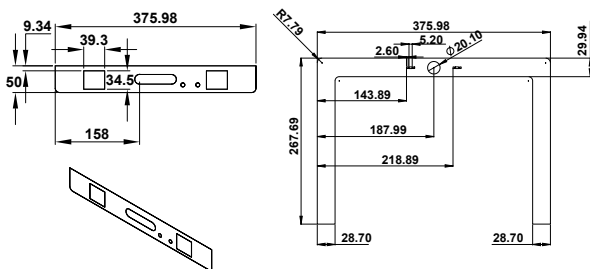
AFL-412A-N270

Dimensions (Unit: mm)



AFL-415A-N270/AFL-415AE-N270

Dimensions (Unit: mm)



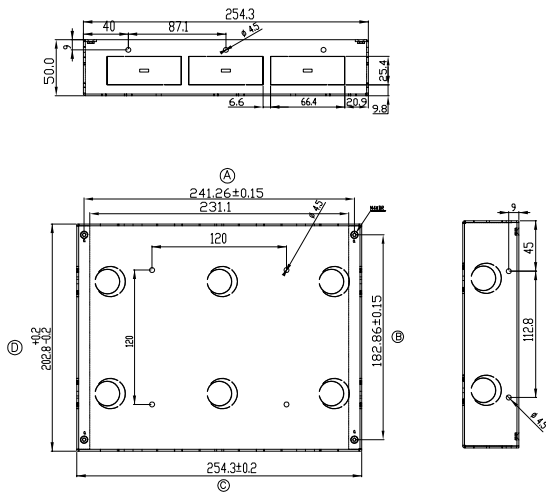
In-Wall Cage



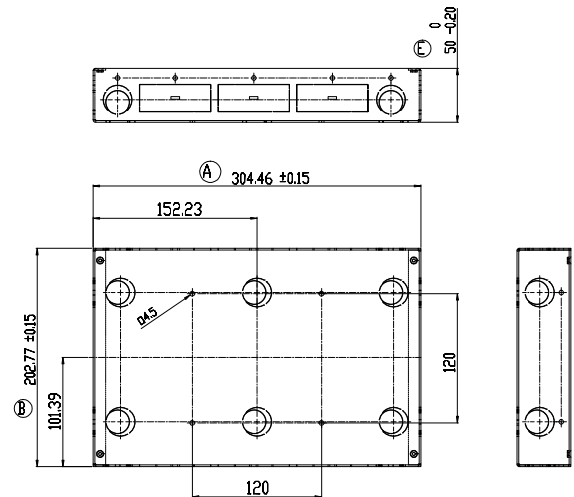
- Cable routing along frame and through knockouts
- Frame allows for a finished look
- Fits: 8.0" - 15" panel displays
- Color: White

Remove appropriate electrical conduit knockouts prior to installation of the cage.

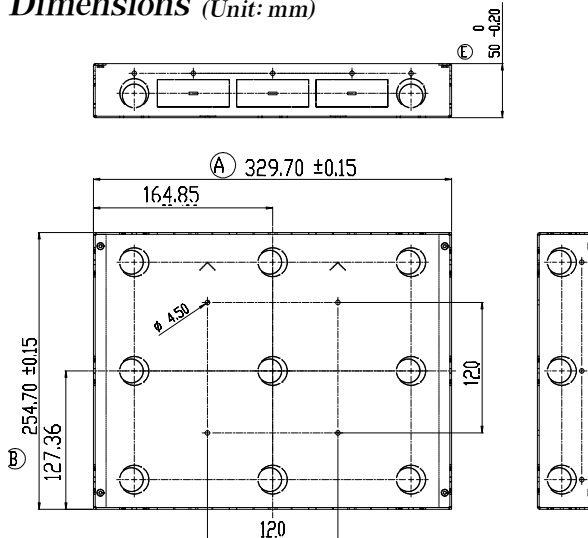
AFLIWC-408A/B-R10 Dimensions (Unit: mm)



AFLIWC-W410A-R10 Dimensions (Unit: mm)



AFLIWC-412A-R10 Dimensions (Unit: mm)



AFLIWC-415A-R10 Dimensions (Unit: mm)

