

15" XGA AFOLUX Panel PC

AFL-15A(E)-915

Intel® Celeron® M 1GHz 512KB Processor

AFL-15C(E)-965

Intel® Core™2 Duo T7500 2.2GHz Processor (max.)

AFL-15i(E)-HM55

Intel® Core i7-620M 2.66GHz Processor (max.)



NEW Features in HM55 Platform :

- Powered by high performance 2.66 GHz Intel® Core i7-620M CPU with Intel® HM55 chipset
- DDR3 1066MHz system memory up to 4GB
- HDMI port/Display Port delivers a high image quality on the second display
- IEI One Key Recovery solution allows you to create rapid OS backup and recovery (Suggest over 4GB storage capacity)



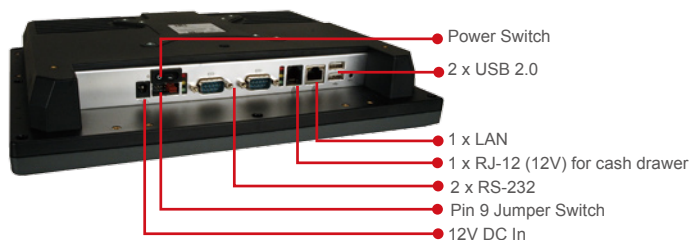
Specifications



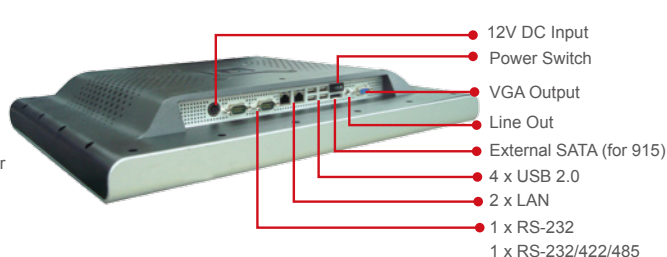
Model	AFL-15A(E)-915	AFL-15C(E)-965	AFL-15i(E)-HM55
LCD Size	15"		
Max Resolution	1024 x 768		
Brightness (cd/m ²)	350 or 250		
Contrast Ratio	700:1 or 600:1		
LCD Color	262K or 16.7M		
Pixel Pitch (mm)	0.297(H) x 0.297(V)		
Viewing Angle (H-V)	140°/125° or 160°/160°		
Backlight MTBF	50000 hrs or 40000 hrs		
SBC Model	AFLMB-9152-R11	AFLMB-9652-R10	AFLMB2-HM55-R10
CPU	Intel® Celeron® M process 1Gz with 512KB L2 Cache processor CPU	Intel® Celeron M550 2.0GHz CPU Intel® Core 2 Duo T7500 2.2GHz CPU	Socket G (PGA989A) Intel® Core® i Arrondale processor
Chipset	Intel® 915 GME	Intel® GME965	Intel® HM55
RAM	Supports two 400MHz or 533MHz DDRII SO-DIMM (2GB Max.)	Supports two 400MHz DDRII SO-DIMM(4GB Max.)	Two 204-pin 800/1066 DDR3 dual-channel SODIMMs supported (system max. 8GB)
I/O Ports	1 x RS-232 COM Port 1 x RS-232/422/485 COM Port 2 x RJ-45 for Giga LAN 4 x USB 2.0 1 x Power Switch 1 x Reset Button 1 x External SATA 1 x Audio Port (line-out) 1 x VGA Port 1 x Power Jack	1 x RS-232 COM Port 1 x RS-232/422/485 COM Port 2 x RJ-45 for Giga LAN 4 x USB 2.0 1 x Power Switch 1 x Reset Button 1 x External SATA 1 x Audio Port (line-out) 1 x VGA Port 1 x Power Jack	1 x RS-232 COM Port 1 x RS-232/422/485 COM Port 2 x RJ-45 for Giga LAN 4 x USB 2.0 1 x Power Switch 1 x Reset Button 1 x Audio Port (Line-Out) 1 x VGA 1 x Power Jack 1 x HDMI Port
SSD	CF Type II		SATA SSD
Watchdog Timer	Software programmable supports 1~255 sec. system reset		
Audio	AMP 3W + 3W (internal speaker)		
Wireless Connection	1 x Wireless Lan 802.11 b/g/n Module (internal Mini PCIe interface) 1 x Bluetooth Function (internal USB interface, Bluetooth V2.0)		1 x Wireless Lan 802.11 b/g/n Module (internal PCIe Mini card interface) 1 x Bluetooth Function (internal USB interface, Bluetooth V2.1+EDR)
Drive Bay	1 x 2.5" SATA HDD bay or 1 x HSUPA Mobile Module (USB Interface) (Optional)		1 x 2.5" SATA HDD bay 1 x HSUPA Mobile Module (USB interface) (Optional)
Construction Front Panel	ABS + PC Plastic front frame		
Membrane Keypad	--		
LED Function	LCD On/Off, Brightness Up/Down, Volume High/Low (5 keys)		
Mounting	1 x Power ON/OFF LED on Front Panel		
Front Panel Color	Panel, Wall, Rack, Stand and Arm VESA 100mm x 100mm Silver (877U) & Gray (ABSA2037)		
Dimensions (WxHxD) (mm)	394 x 309 x 61		394 x 309 x 75
Operation Temperature (°C)	0°C ~40°C With SATA HDD 0°C ~45°C With CF Card or SATA interface 2.5" SSD HDD		0°C ~45°C with CF card or SATA interface 2.5" SSD HDD 0°C ~40°C with SATA 2.5" HDD
Storage Temperature (°C)	-20°C ~ 60°C		
N/G Weight	5,8 Kg		
IP Level	Front Frame IP64		
Safety & EMC	CE / FCC / CB / CCC		
Touch Screen	Resistive Type 5-Wire (Touch controller IC is on board) or Capacitive type touch screen without HDD bay		
Power Adapter	P/N: 63000-FSP060DBAB1554-RS 60W Power Adapter Input: 90VAC~264VAC, 50/60Hz / Output: 12VDC	P/N: 63000-FSP096AHB-RS 96W Power Adapter Input: 90VAC~264VAC, 50/60Hz Output: 12VDC	
Power Requirement	12VDC 69W		
Power Consumption	41W	(Intel® T7500, 2GB memory, 80G HDD)	80W

Fully Integrated I/O

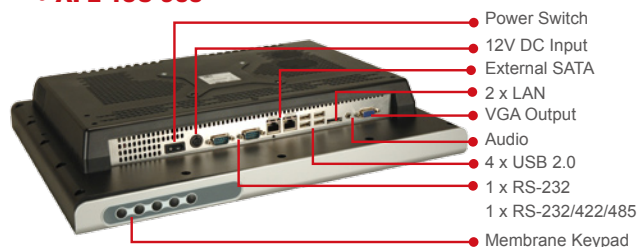
• AFL-15A-LXPOS



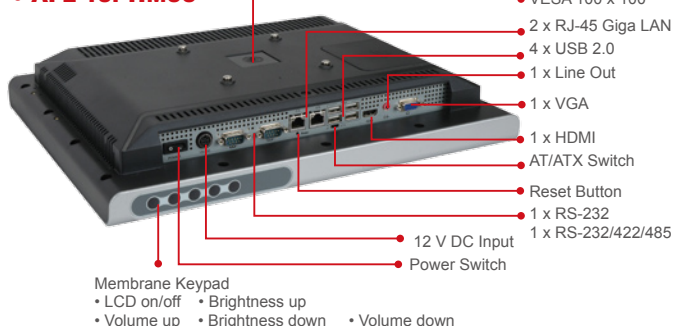
• AFL-15A-915 / AFL-15A-N270



• AFL-15C-965



• AFL-15i-HM55



Ordering Information

• High Luminance (350 cd/m²)

Part Number	Description
AFL-15A-N270/R/1G-R21	15" 350cd/m ² XGA fanless panel PC with Intel® Atom™ N270 1.6GHz CPU, 1GB DDR2 RAM, 802.11 b/g/n wireless module, touch screen, bluetooth, R21
POS Panel PC! AFL-15A-LXPOS/WT-R/256MB-R21	15" 350cd/m ² XGA fanless panel PC with AMD Geode™ LX 800 CPU, 256MB DDR RAM, 802.11b/g wireless module, and touch screen, without STAND, R21
AFL-15A-915-10G/R/1G-R21	15" 350cd/m ² XGA fanless panel PC W/ Celeron M 1.0GHz 512K cache CPU, DDR2 RAM, 802.11 b/g/n wireless module, touch screen, bluetooth, R21, RoHS
AFL-15C-965-CM5/R/1G-R21	15" 350cd/m ² XGA panel PC with Celeron® M 550 2.0GHz CPU, 1GB DDR2 RAM, 802.11 b/g/n wireless module, touch screen, bluetooth, R21, RoHS
AFL-15C-965-T75/R/2G-R21	15" 350cd/m ² XGA panel PC with Core™2 Dou T7500 2.2GHz CPU, 2GB DDR2 RAM, 802.11 b/g/n wireless module, touch screen, bluetooth, R21, RoHS
AFL-15i-HM55-P45/R/1G-R10	15" 350cd/m ² XGA panel PC with Intel® Celeron P4500 1.86G CPU, 1GB DDR3 RAM, 802.11 b/g/n wireless module, touch screen, bluetooth, R10, RoHS
AFL-15i-HM55i3-35/R/2G-R10	15" 350cd/m ² XGA panel PC with Intel® Core™ i3-350M 2.26G CPU, 2GB DDR3 RAM, 802.11 b/g/n wireless module, touch screen, bluetooth, R10, RoHS
AFL-15i-HM55i5-52/R/2G-R10	15" 350cd/m ² XGA panel PC with Intel® Core™ i5-520M 2.4G CPU, 2GB DDR3 RAM, 802.11 b/g/n wireless module, touch screen, bluetooth, R10, RoHS
AFL-15i-HM55i7-62/R/2G-R10	15" 350cd/m ² XGA panel PC with Intel® Core™ i7-620M 2.66G CPU, 2GB DDR3 RAM, 802.11 b/g/n wireless module, touch screen, bluetooth, R10, RoHS

• Regular Luminance (250 cd/m²)

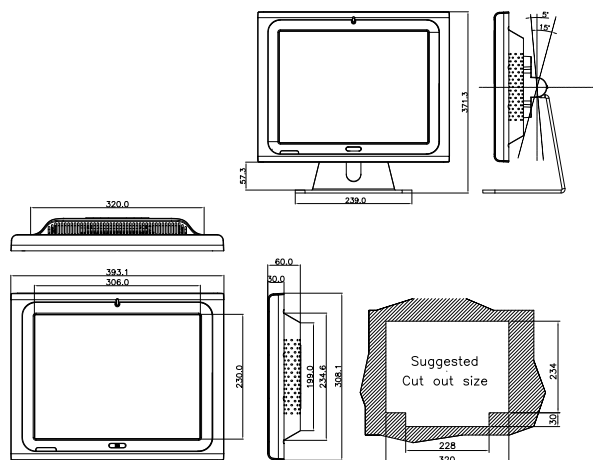
Part Number	Description
AFL-15AE-N270/R/1G-R21	15" 250cd/m ² XGA fanless panel PC with Intel® Atom™ N270 1.6GHz CPU, 1GB DDR2 RAM, 802.11 b/g/n wireless module, touch screen, bluetooth, R21
AFL-15AE-LXPOS/R/256-R21	15" 250cd/m ² XGA fanless panel PC with AMD Geode™ LX 800 CPU, 256MB DDR RAM, 802.11b/g wireless module, and touch screen, without STAND, R21
AFL-15AE-915-10G/R/1G-R21	15" 250cd/m ² XGA fanless panel PC W/ Celeron M 1.0GHz 512K cache CPU, DDR2 RAM, 802.11 b/g/n wireless module, touch screen, bluetooth, R21, RoHS
AFL-15CE-965-CM5/R/1G-R21	15" 250cd/m ² XGA panel PC with Celeron® M 550 2.0GHz CPU, 1GB DDR2 RAM, 802.11 b/g/n wireless module, touch screen, bluetooth, R21, RoHS
AFL-15CE-965-T75/R/2G-R21	15" 250cd/m ² XGA panel PC with Core™2 Dou T7500 2.2GHz CPU, 2GB DDR2 RAM, 802.11 b/g/n wireless module, touch screen, bluetooth, R21, RoHS
AFL-15iE-HM55-P45/R/1G-R10	15" 250cd/m ² XGA panel PC with Intel® Celeron P4500 1.86G CPU, 1GB DDR3 RAM, 802.11 b/g/n wireless module, touch screen, bluetooth, R10, RoHS
AFL-15iE-HM55i3-35/R/2G-R10	15" 250cd/m ² XGA panel PC with Intel® Core™ i3-350M 2.26G CPU, 2GB DDR3 RAM, 802.11 b/g/n wireless module, touch screen, bluetooth, R10, RoHS
AFL-15iE-HM55i5-52/R/2G-R10	15" 250cd/m ² XGA panel PC with Intel® Core™ i5-520M 2.4G CPU, 2GB DDR3 RAM, 802.11 b/g/n wireless module, touch screen, bluetooth, R10, RoHS
AFL-15iE-HM55i7-62/R/2G-R10	15" 250cd/m ² XGA panel PC with Intel® Core™ i7-620M 2.66G CPU, 2GB DDR3 RAM, 802.11 b/g/n wireless module, touch screen, bluetooth, R10, RoHS

Note 1: AFL-15D(E)-N270 make to project base order
 Note 2: Please order HSUPA02 for HSUPA function.

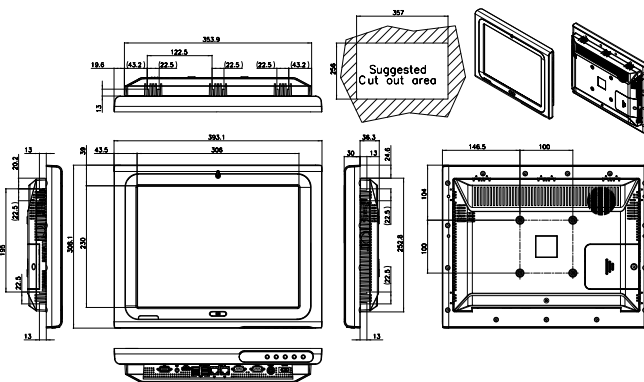
ISMM Support Functions

	Voltage	Fan	Smart Fan	Temperature	WDT	Cash Drawer
AFL-15i(E)-HM55	V	V	V	V	V	
AFL-15A-915	V			V	V	
AFL-15C(E)-965	V	V	V	V	V	
AFL-15A(E)-LXPOS	V			V	V	V
AFL-15A(E)-N270	V			V	V	

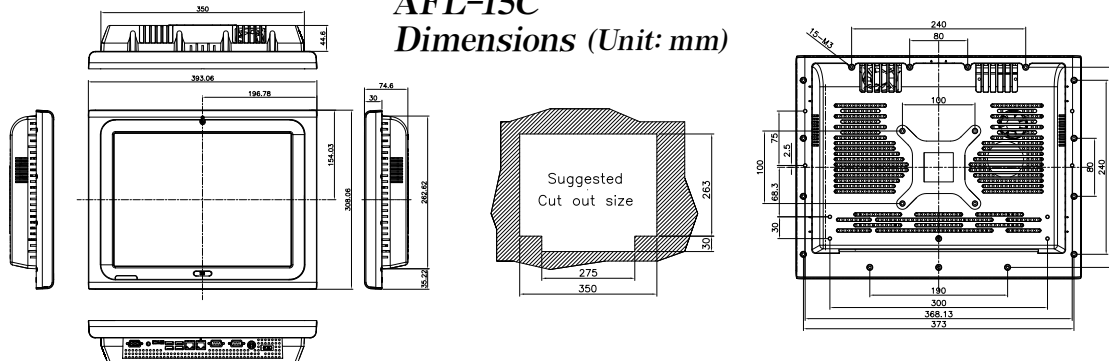
AFL-15A
Dimensions (Unit: mm)



AFL-15i
Dimensions (Unit: mm)



AFL-15C
Dimensions (Unit: mm)



Packing List

Item	Part Number	Q'ty	Specification
Screws Pack	44013-030041-RS	4	M3,5mm
Power Adpater	63000-FSP060DBAB1553-RS 63000-FSP060DBAB1554-RS 63000-FSP096AHB-RS	1	90~264V AC; 12V DC; 60W (15A(E)-LXPOS) 90~264V AC; 12V DC; 60W (15A-915, 15A-N270) 90~264V AC; 12V DC; 96W (15C-965, 15i-HM55)
Power Cord	32000-000002-RS	1	1750mm; European Standard
Utilities CD	7B000-000087-RS	1	
Touch Pen	43125-0002C0-00-RS	1	

Options

Model	AFL-15A(E)-LXPOS	AFL-15A(E)-N270	AFL-15A(E)-915	AFL-15C(E)-965	AFL-15i(E)-HM55
Panel Mounting Kit		AFLPK-15		AFLPK-15B	
Wall Mounting Kit			AFLWK-19		
Rack Mounting Kit		AFLRK-15-R11		AFLRK-15B-R11	
ARM			ARM-11-RS / ARM-31-RS		
Stand			STAND-A19 / STAND-B19 / STAND-POS15 / STAND-210-R11		
OS: Win CE 5.0 (128 MB CF card)	AFLCF-15-LXPOS-CE-R21	--	AFLCF-15-915-CE-R21		--
OS: Win CE 6.0 (128 MB CF card)	AFLCF-15-LXPOS-CE060-R21	AFLCF-15-N270-CE060-R21	AFLCF-15-915-CE060-R21		--
OS: Win XPE (1 GB CF card)	AFLCF-15-LXPOS-XPE-R21	AFLCF-15-N270-XPE-R21	AFLCF-15-915-XPE-R21	AFLCF-15-965-XPE-R21	AFLSD-15-HM55-2G-XPE-R10 (2GB SATA SSD)
OS: LINUX (2 GB CF card)	AFLCF-15-LXPOS-LNX-R21	AFLCF-15-N270-LNX-R21	AFLCF-15-915-LNX-R21	AFLCF-15-965-LNX-R21	--
OS: Win 7 Embedded (2GB CF card)	--	AFLCF-15-N270-WES7E-R21	--	--	AFLSD-15-HM55-4G-WES7E (4GB SATA SSD)
Hybrid Card Reader			AFLP-17AMSI-U		
Magnetic Stripe Reader			AFLP-17AMSR-U		
DC 12V Input UPS			AUPS-B10-R10 (14.8V 3800mAh)		
DC 9~36V Input UPS			AUPS-B20-R10 (14.8V 3800mAh)		