

# AFL-15i-HM55/AFL-17i-HM55/AFL-19i-HM55

15"~19" AFOLUX PPC features Intel® Core™ i7/i5/i3 mobile processor with Intel® HM55 chipset

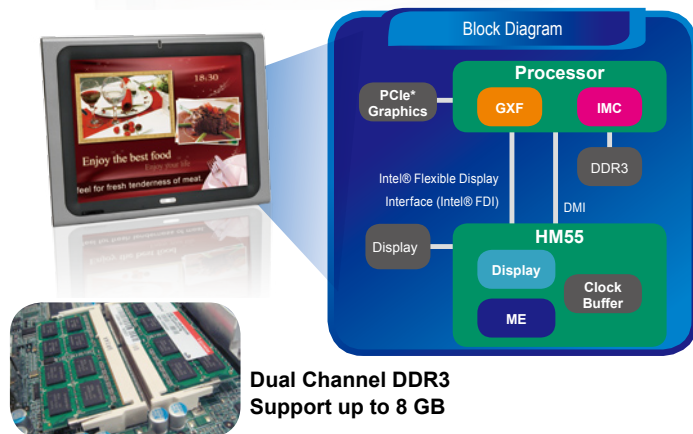


## Key Features

- 15"~19" multi-functional panel PC with touchscreen
- Powered by high performance Intel® mobile Core™ i7/ i5/ i3 and Celeron® processor with Intel® HM55 chipset
- System memory supports DDR3 SDRAM SO-DIMM up to 8 GB
- HDMI interface provides second display with vivid image quality
- 802.11 b/g/n high speed wireless
- Bluetooth V2.1+EDR
- Dual Giga bit Ethernet
- Versatile mounting solution: panel/wall/rack/stand mounting
- IEI One Key Recovery solution allows you to create rapid OS backup and recovery



The Best Performance Grade with Intel® mobile Core™ i7/ i5/ i3



Dual Channel DDR3 Support up to 8 GB



Information



Digital Signage



KIOSK



Internet KIOSK

## AFOLUX PPC Mobile Chipset Transition

The AFOLUX PPC *i* series features 2010 new Intel® Core™ processor with HM55 chipset. Advanced technologies like Hyper-Threading Technology and an integrated graphics core increase in graphics core effectiveness providing outstanding audio/video and processing performance.

	2008	2009	2010
<b>Platform</b>	Merom in Santa Rosa (GME965)	Penryn in Montevina (GM45)	Arrandale in Calpella (HM55)
<b>CPU</b>	Intel® Core™ 2 Duo Intel® Core™ 2 Duo LV Intel® Celeron® M	Intel® Core™ 2 Duo Intel® Core™ 2 Duo LV Intel® Core™ 2 Duo ULV Intel® Celeron® M Intel® Celeron® M ULV	Socket G1 for Intel® mobile Core™ i7/ i5/ i3 and Celeron® processor
<b>Chipset</b>	ICH8M-E	ICH9M	HM55
<b>FSB</b>	667/800 MHz	1066/800/667 MHz	N/A
<b>TDP</b>	35 W	17.5 W~47 W (CPU + GM45/GS45)	15~37W
<b>Supported Memory</b>	DDR2 667/800 (system max. 4 GB)	DDR2 667/800 (system max. 4 GB)	Two 204-pin 4 GB (max.) 800/1066 MHz dual-channel DDR3 SDRAM SO-DIMM supported (System max. 8 GB)
<b>Graphics Cores</b>	Gen 4.0	Gen 5.5 with 10 Execution Units DirectX10, Open GL 2.0	Gen 5.7 with 12 Execution Units DirectX10, Open GL 2.1
<b>Second Display Interface</b>	VGA	VGA, HDMI	VGA, HDMI
<b>Intel® Active Management Technology (Intel™ AMT)</b>	2.5	4	No

# New Intel® Core™ i7/i5/i3 Mobile Solution

Generation	Pentium® M		Core™ Duo / Solo		Core™2 Duo		Core i	
Process	130 nm	90 nm	65 nm		45 nm		32 nm	
FSB	400 MHz	533 MHz / 400 MHz	677 MHz / 533 MHz		800 MHz / 667 MHz	1066 MHz / 800 MHz	N/A	
Architecture	<i>Banias</i>	<i>Dothan</i>	<i>Yonah</i>	<i>Napa Refresh</i>	<i>Santa Rosa</i>	<i>Penryn</i>	<i>Arrandale</i>	
	Socket 479	Socket 479	Socket M	Socket M	Socket P	Socket P	Socket G1	
TDP	24.5 W	21 W	31 W	34 W	35 W	35 W	37W	
Platform								
	852GM / 855GM		945GME		GME965 GM45		HM55	

## Software OSD Utility

IEI patented system software settings utility allows users to adjust system settings from software under Windows environment instead of adjustment from the membrane keypad below the front panel.



## Selectable AT/ATX Power



### Remote Control AT Mode

The power is controlled by a central power unit rather than a power switch. The system turns on automatically when the power is connected.

- Easy to turn on/off with wall/panel mounting
- Automatic start when power connected

### Remote Control ATX Mode

With the ATX mode selected, the system series panel PC goes in a standby mode when it is turned off. The panel PC can be easily turned on via network or a power switch in standby mode.

- Power management
- Remote control via network advantage



## High Speed SATA Storage

The storage interface of AFL-15i/17i/19i-HM55 is SATA II 3Gb/s. Not only 2.5" SATA HDD bay can provide you economical capacity/cost ratio, but also additional 7+15pin SATA interface gives you more reliable and faster data rate than CF card.

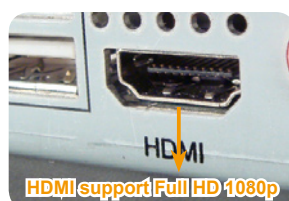
	2.5" SSD	Hard Disk
Data Transfer Rate	Read:230MB/sec. Write:160MB/sec.	Read:110MB/sec. Write:110MB/sec.
Capacity	8GB~128GB	80GB~1TB
Application	Operating System, Application Program	Operating Data, Media Data...



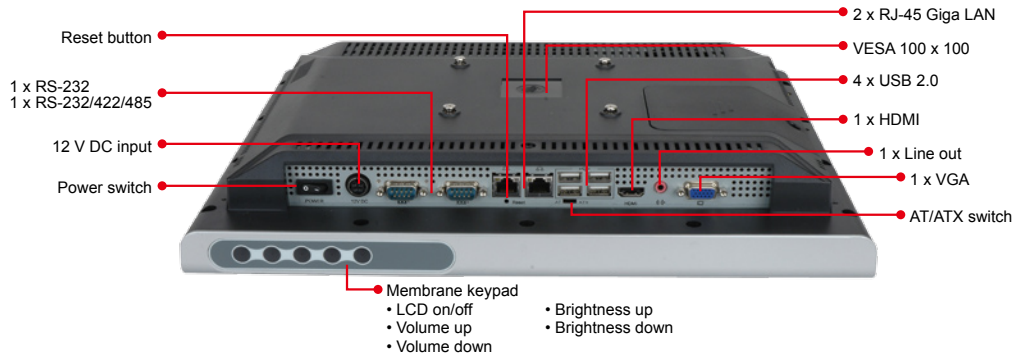
Specifications	SATA Slim	CF Card
Capacity	1GB~16GB	128MB~16GB
interface	SATA II 3.0G	50pin CF (IDE)
Data Transfer Rate	Read:90MB/sec. Write:60MB/sec.	Read:40MB/sec. Write:20MB/sec.
Vibration	20G(7~2000Hz)	20G(7~2000Hz)
Shock	1500G/0.5ms	1500G/0.5ms
Dimension(WxLxH)	54 x 39 x 4 mm	36.4 x 42.8 x 3.3 mm
SMART Function	Support	N/A
Security Function	Support	N/A

## HDMI Port Delivers the High Image Quality on the Second Display

High-Definition Multimedia Interface (HDMI) which is a compact audio/video interface for transmitting uncompressed digital data delivering high-definition video support 1080p resolution which equates to 1,920x1,080 pixels, it also supports industry standard EIA-861B video modes including 480p, 720p, 1080i, and 1080p



## I/O Interface



### Easily Accessible HDD and SATA Slim SSD

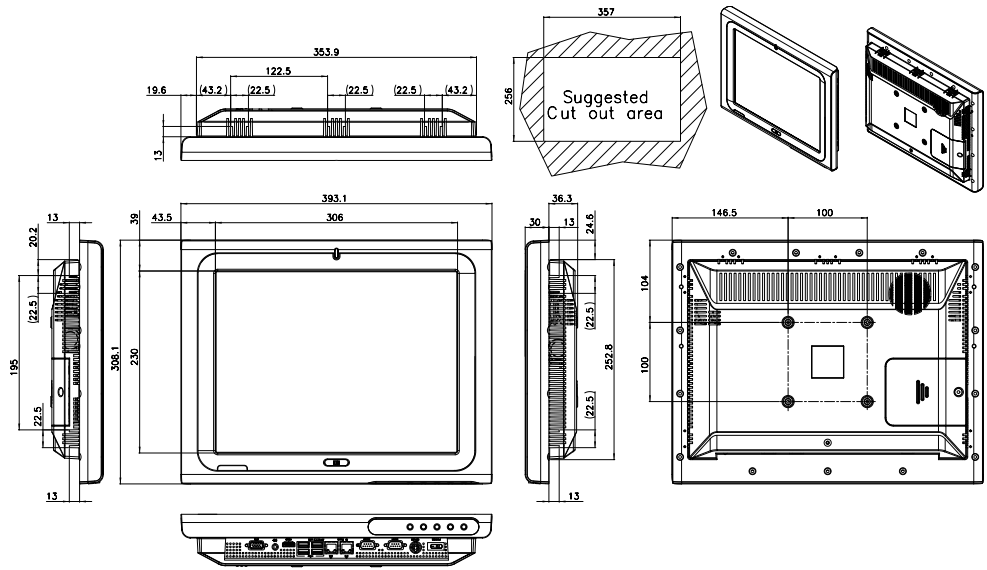


## Specifications

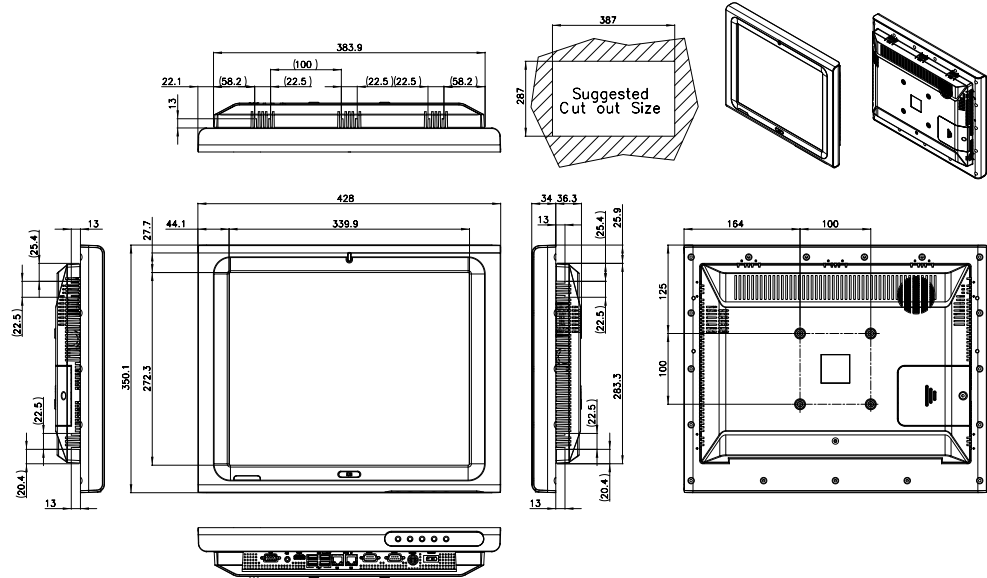
	Model	AFL-15i(E)-HM55	AFL-17i-HM55	AFL-19i(E)-HM55	
LCD Touch Specification	LCD Size	15"	17"	19"	
	Max Resolution	1024(W) x 768(H)	1280(W) x 1024(H)	1280(W) x 1024(H)	
	Brightness (cd/m <sup>2</sup> )	350 or 250	380	450	
	Contrast Ratio	700:1 or 600:1	800:1	1000:1	
	LCD Color	16.2M	16.7M	16.7M	
	Pixel Pitch (mm)	0.297(H) x 0.297(V)	0.264(H) x 0.264(V)	0.294(H) x 0.294(V)	
	Viewing Angle (H-V)	140/125	160/160	178/178	
	Backlight MTBF	50,000	50,000	50,000	
Touch Screen	Resistive Type 5-Wire (touch controller IC is on board) or capacitive type touch screen without HDD bay		Resistive Type 5-Wire (touch controller IC is on board)		
System	SBC Model	AFLMB2-HM55-R10			
	CPU	Socket G (PGA989A) Intel® Arrandale processor			
	Chipset	Intel® HM55			
	Memory	Two 204-pin 800 / 1066 DDR3 dual-channel SO-DIMM(system max. 8GB)			
	IO Ports	1 x RS-232 by DB9 1 x RS-232 or RS-422/485 by DB9 2 x GbE LAN by RJ-45 4 x USB connector 1 x HDMI Port 1 x Audio jack (line out) 1 x VGA port by DB15 1 x reset button 1 x Power Switch 1 x Power Jack			
	Drive Bay	1 x 2.5" SATA HDD bay for SATA storage devices use			
	SSD	SATA Slim SSD			
	Watchdog Timer	Software programmable supports 1~255 sec. system reset			
	Audio	AMP 3W + 3W (internal speaker)			
	Membrane Keypad	LCD On/Off, Brightness Up/Down, Volume High/Low			
	LED Function	1 x Power ON/OFF LED on Front Panel			
	Wireless	WiFi	1 x WiFi module 802.11 b/g/n (internal PCIe mini card interface)		
		Bluetooth	1 x Bluetooth 2.1 + EDR (USB interface)		
Optional HSUPA module(Optional)		1 x HSUPA mobile module (USB interface)			
Physical	Construction Material	ABS + PC Plastic front frame			
	Mounting	Panel, Wall, Rack, Stand and Arm VESA 100mm x 100mm	Panel, Wall, Stand and Arm VESA 100mm x 100mm		
	Front Panel Color	Silver (877U) & Gray (ABSA2037)			
	Net Weight	3.2 kg	6.0 kg	6.2 kg	
	Dimension (WxHxD) (mm)	394 x 309 x 75	428 x 350 x 76	470 x 383 x 79	
Environment	Operation Temperature (°C)	0°C~50°C	0°C~50°C	0°C~50°C	
	Storage Temperature (°C)	-20°C~60°C	-20°C~60°C	-20°C~60°C	
	IP Level	Front Frame IP64			
	EMC & Safety	CE / FCC / CB / CCC			
Power	Power Adapter	P/N: 63000-FSP096AHB-RS 96W power adapter Input: 90VAC~264VAC, 50/60Hz Output: 12V DC			
	Power Requirement	12V DC			
	Power Consumption	80W	85W	87W	

Dimensions (Unit: mm)

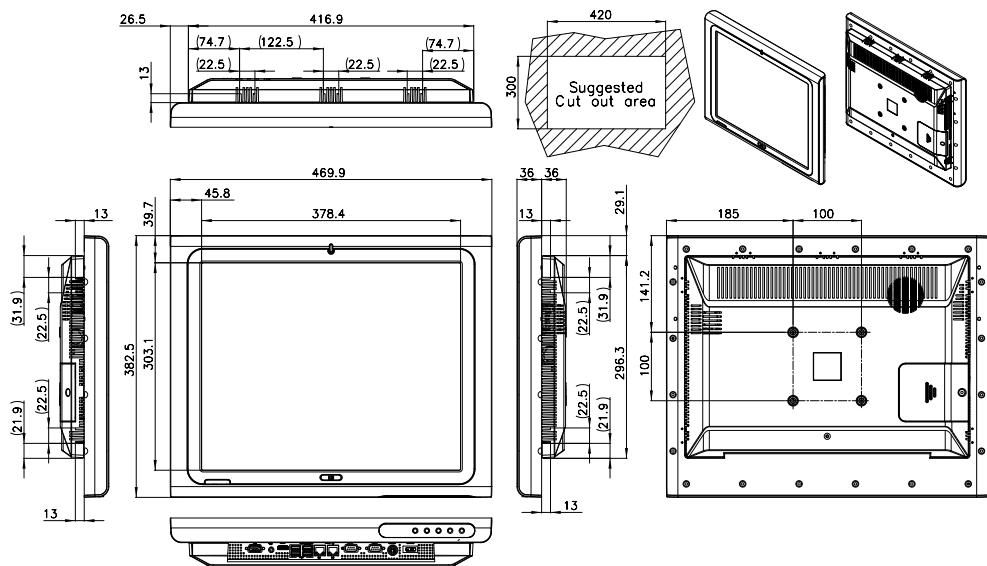
**AFL-15i-HM55**



**AFL-17i-HM55**



**AFL-19i-HM55**



## Ordering Information

	Part Number	Description
15" Regular Limunance (250cd/m <sup>2</sup> )	AFL-15iE-HM55i3-35/R/2G-R10	15" 250cd/m <sup>2</sup> XGA panel PC with Intel® Core™ i3-350M 2.26G CPU, 2GB DDR3 RAM, 802.11 b/g/n wireless module, touch screen, bluetooth, RoHS
	AFL-15iE-HM55i5-52/R/2G-R10	15" 250cd/m <sup>2</sup> XGA panel PC with Intel® Core™ i5-520M 2.4G CPU, 2GB DDR3 RAM, 802.11 b/g/n wireless module, touch screen, bluetooth, RoHS
	AFL-15iE-HM55i7-62/R/2G-R10	15" 250cd/m <sup>2</sup> XGA panel PC with Intel® Core™ i7-620M 2.66G CPU, 2GB DDR3 RAM, 802.11 b/g/n wireless module, touch screen, bluetooth, RoHS
	AFL-15iE-HM55-P45/R/1G-R10	15" 250cd/m <sup>2</sup> XGA panel PC with Intel® Celeron P4500 1.86G CPU, 1GB DDR3 RAM, 802.11 b/g/n wireless module, touch screen, bluetooth, RoHS
15" High Limunance (350cd/m <sup>2</sup> )	AFL-15i-HM55i3-35/R/2G-R10	15" 350cd/m <sup>2</sup> XGA panel PC with Intel® Core™ i3-350M 2.26G CPU, 2GB DDR3 RAM, 802.11 b/g/n wireless module, touch screen, bluetooth, RoHS
	AFL-15i-HM55i5-52/R/2G-R10	15" 350cd/m <sup>2</sup> XGA panel PC with Intel® Core™ i5-520M 2.4G CPU, 2GB DDR3 RAM, 802.11 b/g/n wireless module, touch screen, bluetooth, RoHS
	AFL-15i-HM55i7-62/R/2G-R10	15" 350cd/m <sup>2</sup> XGA panel PC with Intel® Core™ i7-620M 2.66G CPU, 2GB DDR3 RAM, 802.11 b/g/n wireless module, touch screen, bluetooth, RoHS
	AFL-15i-HM55-45/R/1G-R10	15" 350cd/m <sup>2</sup> XGA panel PC with Intel® Celeron P4500 1.86G CPU, 1GB DDR3 RAM, 802.11 b/g/n wireless module, touch screen, bluetooth, RoHS
17" High Limunance (380cd/m <sup>2</sup> )	AFL-17i-HM55i3-35/R/2G-R10	17" 380cd/m <sup>2</sup> SXGA panel PC with Intel® Core™ i3-350M 2.26G CPU, 2GB DDR3 RAM, 802.11 b/g/n wireless module, touch screen, bluetooth, R10, RoHS
	AFL-17i-HM55i5-52/R/2G-R10	17" 380cd/m <sup>2</sup> SXGA panel PC with Intel® Core™ i5-520M 2.4G CPU, 2GB DDR3 RAM, 802.11 b/g/n wireless module, touch screen, bluetooth, R10, RoHS
	AFL-17i-HM55i7-62/R/2G-R10	17" 380cd/m <sup>2</sup> SXGA panel PC with Intel® Core™ i7-620M 2.66G CPU, 2GB DDR3 RAM, 802.11 b/g/n wireless module, touch screen, bluetooth, R10, RoHS
	AFL-17i-HM55-P45/R/1G-R10	17" 380cd/m <sup>2</sup> SXGA panel PC with Intel® Celeron P4500 1.86G CPU, 1GB DDR3 RAM, 802.11 b/g/n wireless module, touch screen, bluetooth, R10, RoHS
19" High Limunance (450cd/m <sup>2</sup> )	AFL-19i-HM55i3-35/R/2G-R10	19" 450cd/m <sup>2</sup> SXGA panel PC with Intel® Core™ i3-350M 2.26G CPU, 2GB DDR3 RAM, 802.11 b/g/n wireless module, touch screen, bluetooth, R10, RoHS
	AFL-19i-HM55i5-52/R/2G-R10	19" 450cd/m <sup>2</sup> SXGA panel PC with Intel® Core™ i5-520M 2.4G CPU, 2GB DDR3 RAM, 802.11 b/g/n wireless module, touch screen, bluetooth, R10, RoHS
	AFL-19i-HM55i7-62/R/2G-R10	19" 450cd/m <sup>2</sup> SXGA panel PC with Intel® Core™ i7-620M 2.66G CPU, 2GB DDR3 RAM, 802.11 b/g/n wireless module, touch screen, bluetooth, R10, RoHS
	AFL-19i-HM55-P45/R/1G-R10	19" 450cd/m <sup>2</sup> SXGA panel PC with Intel® Celeron P4500 1.86G CPU, 1GB DDR3 RAM, 802.11 b/g/n wireless module, touch screen, bluetooth, R10, RoHS

## Options

Model	AFL-15i-HM55	AFL-17i-HM55	AFL-19i-HM55
Panel Mounting Kit	AFLPK-19B		
Wall Mounting Kit	AFLWK-19 / AFLWK-19B		
Rack Mounting Kit	AFLRK-15B	AFLRK-17B	--
ARM	ARM-11-RS, ARM-31-RS		
Stand	STAND-A19, STAND-B19, STAND-C19, STAND-210-RS		
OS: Win XPE	AFLSD-15-HM55-2G-XPE (2GB SATA SSD module)	AFLSD-17-HM55-2G-XPE (2GB SATA SSD module)	AFLSD-19-HM55-2G-XPE (2GB SATA SSD module)
OS: Win 7	AFLSD-15-HM55-4G-WES7E-R10 (4GB SATA SSD module)	AFLSD-17-HM55-4G-WES7E-R10 (4GB SATA SSD module)	AFLSD-19-HM55-4G-WES7E-R10 (4GB SATA SSD module)
Hybrid Card Reader	AFLP-19AMSI-U		
Magnetic Stripe Reader	AFLP-19AMSR-U		
DC 12V Input UPS	AUPS-B10-R10 (VESA 100, DC 12V input, 12V output 100W UPS module with 3800mAh)		
DC 9~36V Input UPS	AUPS-B20-R10 (VESA 100, DC 9~36V input, 12V output 100W UPS module with 3800mAh)		

## Packing List

Item	Part No.	Q'ty	Specification
Power Cord	32000-000002-RS	1	1750mm; European Standard
Power Adapter	63000-FSP096AHB-RS	1	90~264V; 12V; 96W
Utilities CDROM	7B000-000087-RS	1	
Screw Kit	44013-030041-RS	1	
Touch Pen	43125-0002C0-00-RS	1	
Remote Controller	7Z000-8T00320ICP05G-RS	1	