

**12.1" XGA AFOLUX Panel PC**

**AFL-12A-LX**

**AMD Geode™ LX-800 500 MHz Processor**

**AFL-12B-LXPOS**

**AMD Geode™ LX-800 500 MHz Processor**

**AFL-12A-N270**

**Intel® Atom™ Processor N270 1.6GHz Processor**

**AFL-12B-9103**

**Intel® Celeron® M 1GHz 512KB Processor**



**Features**



- 12.1" TFT LCD with resistive touch screen
- Fanless cooling system
- 18V~30V wide range DC power input (Optional)
- Selectable AT/ATX power mode through the switch on the chassis inside
- Built-in HSUPA module for mobile connection (Optional)
- One compact flash slot
- IP 64 compliant front panel



**Specifications**

| Model  | AFL-12A-LX-R12 / AFL-12A-LX24V  | AFL-12BX(S)-LXPOS  | AFL-12A-N270-R10   | AFL-12B-9103   |
|--|---|--|--|--|
| LCD Size   | 12.1"   |  |  |  |
| Max Resolution   | 1024 x 768  | 1024 x 768 or 800 x 600  |  | 1024 x 768   |
| Brightness (cd/m <sup>2</sup> )                                    | 450   | 400 or 350   |  | 400  |
| Contrast Ratio   | 700:1   | 700:1 or 500:1   |  | 500:1  |
| LCD Color  | 262K  |  |  |  |
| Pixel Pitch (mm)   | 0.240(H) x 0.240(V)   |  |  |  |
| Viewing Angle (H-V)  | 160°/160°   | 160°/160° or 140°/120°   |  | 120°/100°  |
| Backlight MTBF   | 50000   |  |  |  |
| SBC Model  | AFLMB-LX-800  | AFLMB-LXPOS-R10  | AFLMB-945GSE-N270-R10  | AFLMB-9103-R11   |
| CPU  | AMD LX 800 (500MHz)   |  | Intel® Atom™ process N270 1.6GHz CPU   | Intel® Celeron M process 1Gz 512KB Cache CPU   |
| Chipset  | AMD LX 800 + AMD CS5536   |  | Intel® 945GSE + ICH7M  | Intel® 910GMLX Chipset   |
| RAM  | Supports one 333MHz or 400MHz DDR SO-DIMM (1GB Max.)  |  | Supports one 400MHz or 533MHz DDRII SO-DIMM (2GB Max.)   | Supports one 400MHz DDRII SO-DIMM (2GB Max.)   |
| I/O Ports  | 1 x RS-232 COM Port<br>1 x RS-232/422/485 COM port<br>2 x RJ-45 for 10/100Mbps LAN<br>2 x USB 2.0<br>1 x Power Switch<br>1 x Reset Button<br>1 x Power Jack<br>1 x Audio Port | 2 x RS-232 COM Port (pin9 with RI, 5V or 12V switch selectable)<br>1 x RJ-45 for 10/100Mbps LAN<br>2 x USB 2.0<br>1 x Power Switch<br>1 x Reset Button<br>1 x RJ-12(12VDC) for Cash Drawer<br>1 x Power Jack | 1 x RS-232 COM Port<br>1 x RS-232/422/485 COM port<br>2 x RJ-45 for Giga LAN<br>2 x USB 2.0<br>1 x Power Switch<br>1 x Reset Button<br>1 x External SATA<br>1 x Audio Port<br>1 x Power Jack | 1 x RS-232 COM Port<br>1 x RS-232/422/485 COM port<br>1 x RJ-45 for Giga LAN<br>4 x USB 2.0<br>1 x Power Switch<br>1 x Reset Button<br>1 x External SATA<br>1 x Audio Port<br>1 x Power Jack |
| SSD  | CF Typell   |  |  |  |
| Watchdog Timer   | Software programmable supports 1~255 sec. System reset  |  |  |  |
| Audio  | AMP 1.5W + 1.5W (internal speaker)  |  |  |  |
| Expansion  | 1 x Wireless Lan 802.11 b/g Module (internal Mini PCI interface)<br>1 x Bluetooth Function (internal USB interface, Bluetooth V2.0)   | 1 x Wireless Lan 802.11 b/g Module (internal Mini PCI interface)   | 1 x Wireless Lan 802.11 b/g Module (internal PCIe mini card interface)<br>1 x Bluetooth Function (internal USB interface, Bluetooth V2.0)  |  |
| Drive Bay  | 1 x 2.5" IDE HDD bay or Optional HSUPA Module   | 1 x 2.5" IDE HDD bay   | 1 x 2.5" SATA HDD bay or Option HSUPA Module   |  |
| Optional HSUPA Module (support GSM 850, EGSM 900, DCS 1800 & 1900) | 1 x HSUPA Mobile Module (USB Interface)   | N/A  | 1 x HSUPA Mobile Module (USB Interface)  |  |
| Construction Front Panel   | ABS + PC Plastic front frame  |  |  |  |
| LED Function   | 1 x LED on Front Panel for Power ON/OFF   | 1 x LED on Front Panel for Power ON/OFF<br>2 x LED on Rear cover for COM port<br>12V : RED / 5V : YELLOW / RI : GREEN  | 1 x Power ON/OFF LED on Front Panel  |  |
| Mounting   | Panel, Wall, Rack, Stand and Arm VESA 75mm x 75mm / 100mm x 100mm   |  |  |  |
| Front Panel Color  | Gray 7539U  |  |  |  |
| Dimension (WxHxD) (mm)   | 304 x 246 x 50  | 304 x 246 x 56   | 304 x 246 x 50   | 304 x 246 x 56   |
| Operation Temperature (°C)   | 0°C ~ 50°C  | 0°C ~ 50°C   | 0°C ~40°C with SATA HDD<br>-10°C ~50°C with CF Card or SATA interface 2.5" SSD HDD   | 0°C ~40°C : Fan mode<br>0°C ~45°C With CF Card or SATA interface 2.5" SSD HDD : Fanless  |
| Storage Temperature (°C)   | -20°C ~ 60°C  |  |  |  |
| N/G Weight   | 1.8 Kg  |  |  |  |
| IP Level   | Front Frame IP64  |  |  |  |
| Safety & EMC   | CE / FCC / CB / CCC   |  |  |  |
| Touch Screen   | Resistive Type 5-Wire (Touch controller IC is on board)<br>or<br>Capacitive type touch screen without HDD bay   |  |  |  |
| Power Adapter  | P/N: 63000-FSP0361AD101C-RS<br>36W Power Adapter<br>Input: 90VAC~264VAC, 50/60Hz<br>Output: 12VDC   | P/N: 63000-FSP0481AD101C-RS<br>48W Power Adapter<br>Input: 90VAC~264VAC, 50/60Hz<br>Output: 12VDC  | P/N: 63000-FSP0481AD101C-RS<br>48W Power Adapter<br>Input: 90VAC~264VAC, 50/60Hz<br>Output: 12VDC  | P/N: 63000-FSP0601AD101C-RS<br>60W Power Adapter<br>Input: 90VAC~264VAC, 50/60Hz<br>Output: 12VDC  |
| Power Requirement  | 12VDC/18~30VDC  |  | 12VDC  |  |
| Power Consumption  | 29W   | 29W  | 32W  | 41W  |

## Fully Integrated I/O

### • AFL-12A-LX



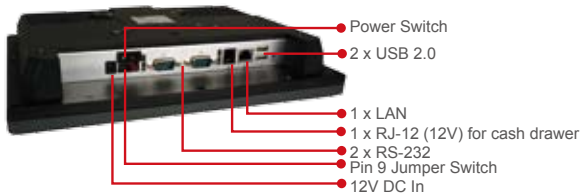
### • AFL-12B-9103



### • AFL-12A-N270

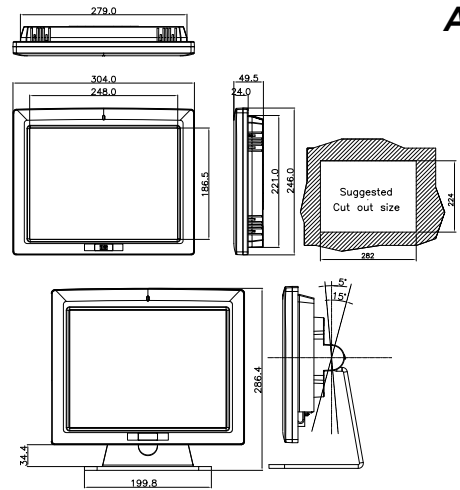


### • AFL-12B-LXPOS

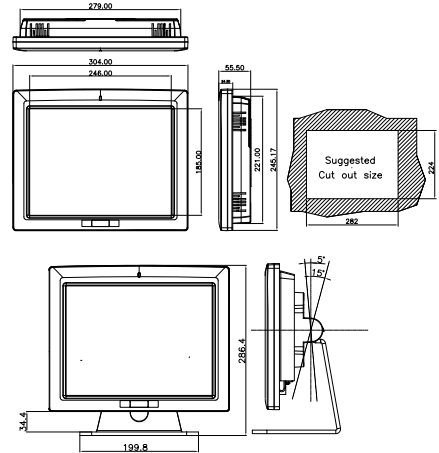


## Dimensions (Unit: mm)

### AFL-12A



### AFL-12B



## Ordering Information

| Part Number                              | Description   |
|--|---|
| AFL-12A-LX/WT-R/256MB/**(HSUPA01)-R12    | 12.1" 450 cd/m <sup>2</sup> , XGA fanless panel PC with AMD LX-800 CPU, AT/ATX mode, 802.11b/g Wireless Module, Bluetooth Module, Touch screen and 256MB DDR RAM, R12, RoHS                 |
| AFL-12A-LX/WT-R/512MB/**(HSUPA01)-R12    | 12.1" 450 cd/m <sup>2</sup> , XGA fanless panel PC with AMD LX-800 CPU, AT/ATX mode, 802.11b/g Wireless Module, Bluetooth Module, Touch screen and 512MB DDR RAM, R12, RoHS                 |
| AFL-12A-LX24V/WT-R/256MB/**(HSUPA01)-R11 | 12.1" 450 cd/m <sup>2</sup> , XGA fanless panel PC with AMD LX-800 CPU, 18~30VDC input, AT/ATX mode, 802.11b/g Wireless Module, Bluetooth Module, Touch screen and 256MB DDR RAM, R11, RoHS |
| AFL-12A-LX24VWT-R/256MB/**(HSUPA01)-R11  | 12.1" 450 cd/m <sup>2</sup> , XGA fanless panel PC with AMD LX-800 CPU, 18~30VDC input, AT/ATX mode, 802.11b/g Wireless Module, Bluetooth Module, Touch screen and 512MB DDR RAM, R11, RoHS |
| AFL-12BS-LXPOS/WT-R/256MB                | 12.1" 350 cd/m <sup>2</sup> SVGA fanless PPC with AMD Geode LX 800 CPU, 256MB DDR RAM, 802.11 b/g wireless module and touch screen, without STAND, RoHS                                     |
| AFL-12BX-LXPOS/WT-R/256MB                | 12.1" 400 cd/m <sup>2</sup> XGA fanless PPC with AMD Geode LX 800 CPU, 256MB DDR RAM, 802.11 b/g wireless module and touch screen, without STAND, RoHS                                      |
| AFL-12B-9103-10G/WT-R/1GB/**(HSUPA01)    | 12.1" 400 cd/m <sup>2</sup> , XGA fanless panel PC with Celeron® M 1.0GHz 512K cache CPU, 1GB DDR2 RAM, 802.11 b/g wireless module, touch screen, Bluetooth, RoHS                           |
| AFL-12A-N270/WT-R/1GB/**(HSUPA01)-R10    | 12.1" 400 cd/m <sup>2</sup> , XGA fanless panel PC with Intel® Atom™ N270 1.6GHz, 802.11b/g wireless module, bluetooth module, touch screen, 1GB DDR2 533, RoHS                             |

Note 1 : WiFi 802.11 draft N is upgradable.

Note 2 : Capacitive type touch screen is upgradable.

## Options

| Model                             | AFL-12A-LX  | AFL-12B-LXPOS          | AFL-12A-N270            | AFL-12B-9103          |
|-----------------------------------|---|------------------------|-------------------------|-----------------------|
| Panel mounting kit                |   | AFLPK-12               |                         |                       |
| Wall mounting kit                 |   | AFLWK-12               |                         |                       |
| Rack mounting kit                 |   | AFLRK-12               |                         |                       |
| ARM                               |   | ARM-11-RS / ARM-31-RS  |                         |                       |
| Stand                             | STAND-A12 / STAND-POS12 / STAND-100-RS / STAND-150-RS |                        |                         |                       |
| VSTAND                            | VSTAND-A12  |                        |                         |                       |
| 9~30VDC to 12VDC converter module | IDD-930160-KIT  |                        |                         |                       |
| OS: Win CE 5.0 (128 MB CF card)   | AFLCF-12-LX-CE-R11                                    | AFLCF-12-LXPOS-CE      | N/A                     | AFLCF-12-9103-CE      |
| OS: Win CE 6.0 (128 MB CF card)   | AFLCF-12-LX-CE060-R11                                 | AFLCF-12-LXPOS-CE060   | AFLCF-12-N270-CE060-R10 | AFLCF-12-9103-CE060   |
| OS: Win XPE (1 GB CF card)        | AFLCF-12-LX-XPE-R11                                   | AFLCF-12-LXPOS-XPE     | AFLCF-12-N270-XPE-R10   | AFLCF-12-9103-XPE     |
| OS: LINUX (2 GB CF card)          | AFLCF-12-LX-LNX-R10                                   | AFLCF-12-LXPOS-LNX-R10 | AFLCF-12-N270-LNX-R10   | AFLCF-12-9103-LNX-R10 |
| Hybrid Card Reader                | AFLP-12AMSI-U   |                        |                         |                       |
| Magnetic Stripe Reader            | AFLP-12AMSR-U   |                        |                         |                       |
| DC 12V Input UPS                  | AUPS-A10-R10 (7.4V 3800mAh)                           |                        |                         |                       |
| DC 9~36V Input UPS                | AUPS-A20-R10 (7.4V 3800mAh)                           |                        |                         |                       |

## ISMM Support Functions

|               | Voltage | Fan | Smart Fan | Temperature | DIO | WDT | Cash Drawer |
|---------------|---------|-----|-----------|-------------|-----|-----|-------------|
| AFL-12A-LX    | V       |     |           | V           |     | V   |             |
| AFL-12B-LXPOS | V       |     |           | V           |     | V   | V           |
| AFL-12B-9103  | V       | V   | V         | V           |     | V   |             |
| AFL-12A-N270  | V       |     |           | V           |     | V   |             |

## Packing List

| Item          | Part Number  | Q'ty | Specification   |
|---------------|--|------|---|
| Screws Pack   | 44013-030041-RS  | 4    | M3;5mm  |
| Power Adpater | 63000-FSP0361AD101C-RS<br>63000-FSP0481AD101C-RS<br>63000-FSP0601AD101C-RS | 1    | 90~264V AC; 12V DC; 36W (for LX)<br>90~264V AC; 12V DC; 48W (for LXPOS, ATOM)<br>90~264V AC; 12V DC; 60W (for 9103) |
| Power Cord    | 32000-000002-RS  | 1    | 1750mm; European Standard   |
| Utilities CD  | 7B000-000087-RS  | 1    |   |
| Touch Pen     | XTR104-0002-RS   | 1    |   |

Note: AFL-LX24V model is without power adapter