

8" SVGA AFOLUX PPC

AFL-08B-N270

Intel® Atom™ N270 1.6G Processor



Features

- 8" LED backlight LCD panel with resistive touch screen
- Built-in 300K pixel camera with low light function
- Built-in digital microphone
- Selectable AT/ATX power mode through the switch on the chassis inside
- Fanless cooling system
- System memory up to 2 GB SDRAM
- Built-in 802.11b/g Wireless LAN
- Built-in Bluetooth module
- Built-in two 1.5 W speakers
- One compact flash slot
- IP 64 compliant front panel



Specifications

Model	AFL-08B-N270-R10
LCD Size	8"
Max Resolution	800 x 600
Brightness (cd/m ²)	300
Contrast Ratio	400 : 1
LCD Color	262K
Pixel Pitch (mm)	0.0675 (H) x 0.2025 (V)
Viewing Angle (H-V)	130° / 120°
Backlight MTBF	30000 hrs (LED backlight)
SBC Model	AFLMB-945GSE-N270-R10
CPU	Intel® Atom™ process N270 1.6GHz CPU
Chipset	Intel® 945GSE + ICH7M
RAM	Supports one 400MHz or 533MHz DDRII SO-DIMM (2GB Max.)
I/O Ports	1 x RS-232 COM Port 1 x RS-232/422/485 COM port 2 x RJ-45 for Giga LAN 2 x USB 2.0 1 x Power Switch 1 x Reset Button 1 x External SATA 1 x Audio Port 1 x Power Jack
SSD	CF Typell
Watchdog Timer	Software programmable supports 1~255 sec. System reset
Audio	AMP 1.5W + 1.5W (internal speaker)
Camera Module	300K pixel with Digital Microphone
Expansion	1 x Wireless Lan 802.11 b/g Module (internal PCIe mini card interface) 1 x Bluetooth Function (internal USB interface, Bluetooth V2.0)
Construction Front Panel	ABS + PC Plastic front frame
LED Function	1 x Power ON/OFF LED on Front Panel
Mounting	Panel, Wall, Rack, Stand and Arm VESA 75mm x 75mm
Front Panel Color	Gray 7539U
Dimension (WxHxD) (mm)	234 x 177 x 43
Operation Temperature (°C)	-10°C ~50°C
Storage Temperature (°C)	-20°C ~60°C
N/G Weight	0.8 Kg
IP Level	Front Frame IP64
Safety & EMC	CE / FCC / CB / CCC
Touch Screen	Resistive Type 4-Wire (Touch controller IC is on board)
Power Adapter	P/N: 63000-FSP0361AD101C-RS 36W Power Adapter Input: 90VAC~264VAC, 50/60Hz Output: 12VDC
Power Requirement	12VDC
Power Consumption	25W

1
Automation

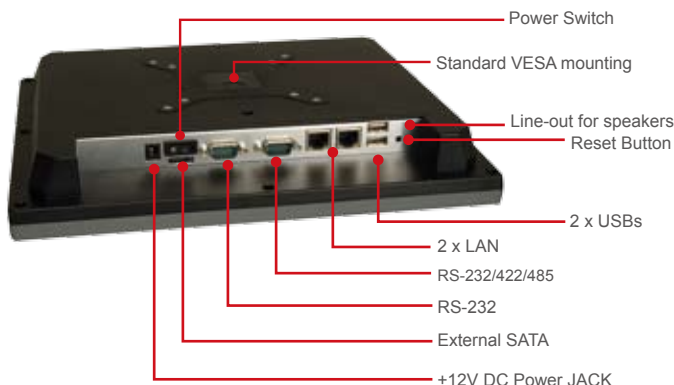
2
Point of Service

3
Digital Signage

4
RISC-based Solutions

5
Medical Solutions

Fully Integrated I/O



LED-backlight PPC Delivers Vivid Images

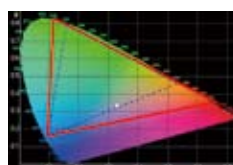
AFL-08B-N270 is the first panel PC of its compact size to incorporate an LED backlight - being better than previous CCFL illumination for the viewing and editing of pictures.

LED backlighting PPC displays clear and vivid pictures!

Enhancement of picture image quality on LCD screen

- Wider color gamut
- More even screen illumination
- Longer display life
- Low temperature operation and greater power efficiency

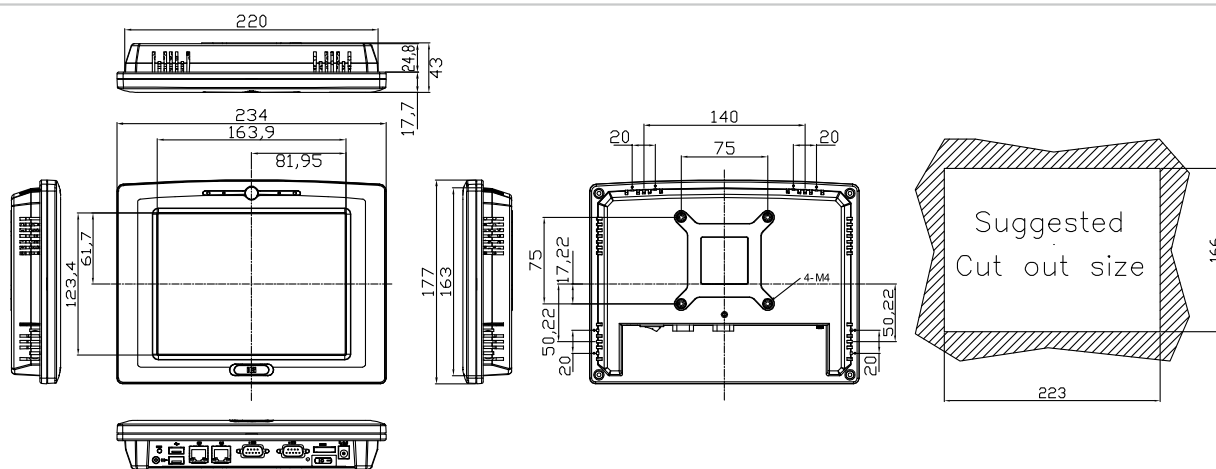
Color Gamut Comparison



— LED
- - - Normal CCFL

Thus LED backlight for LCD enables seeing the color on LCD screen as we see the colors in nature.

Dimensions (Unit: mm)



Ordering Information

Part Number	Description
AFL-08B-N270/WT-R/1GB-R10	8" 300 cd/m ² , SVGA fanless panel PC with Intel® Atom™ N270 1.6GHz, 802.11b/g wireless module, bluetooth module, touch screen, 300K pixel Camera with Digital Microphone, 1GB DDR2 533MHz, RoHS

Note: WiFi 802.11 draft N is upgradable.

Note: Optional 1.3MP Camera with Digital Microphone Module

Options

Panel mounting kit	AFLPK-12
Wall mounting kit	AFLWK-12
Rack mounting kit	AFLRK-08
ARM	ARM-11-RS / ARM-31-RS
Stand	STAND-A08 / STAND-100-RS / STAND-150-RS
VSTAND	VSTAND-A10
9~30VDC to 12VDC converter module	IDD-930160-KIT
OS: Win CE 6.0 (128 MB CF card)	AFLCF-08-N270-CE060-R10
OS: Win XPE(1 GB CF card)	AFLCF-08-N270-XPE-R10
OS: LINUX(2 GB CF card)	AFLCF-08-N270-LNX-R10
Hybrid Card Reader	AFLP-08BMSI-U
Magnetic Stripe Reader	AFLP-08BMSR-U
DC 12V Input UPS	AUPS-A10-R10 (7.4V 3800mAH)
DC 9~36V Input UPS	AUPS-A20-R10 (7.4V 3800mAH)

Note: Win CE application without digital microphone function

ISMM Support Functions

	Voltage	Fan	Smart Fan	Temperature	WDT	Cash Drawer
AFL-08B-N270	V			V	V	

Packing List

Item	Part Number	Q'ty	Specification
Screws Pack	44013-030041-RS	4	M3,5mm
Power Adpater	63000-FSP0361AD101C-RS	1	90~264V AC; 12V DC; 36W
Power Cord	32000-000002-RS	1	1750mm (EU or US, Which type of cord is shipped depends on the shipment country)
Utilities CD	7B000-000087-RS	1	
Touch Pen	XTR104-0002-RS	1	

1

Automation

2

Point of Service

3

Digital Signage

4

RISC-based Solutions

5

Medical Solutions