

# Display Monitor Solutions

Durable waterproof displays are essential in today's commercial and industrial applications. IEI's versatile lines of IP 64/65 compliant shock and vibration resistant industrial displays are designed specifically to endure the rigorous demands of modern commerce and industrial environments. These displays are easily integrated into automation applications, ATM machines and human machine interfaces.

## Industrial Display Monitor



### DM Series

The DM series displays are flexible, durable systems that are easily integrated into a wide variety of general-purpose industrial applications.

## Sunlight Readable Display Monitor



800 nits/  
1000 nits

### SRM Series

The SRM series is designed to operate in high ambient lighting conditions and is especially designed for outdoor use under direct or indirect sunlight.

## Multiple Input Display Monitor



5 Video  
Inputs

### AFOLUX Monitor Series

The AFL-xxM series has multiple video inputs through common video connectors which can connect to a wide range of devices and most electronic appliances.

Product Line	DM Series		TDM Series	SRM Series	LCD-KIT Series		AFOLUX Monitor Series	
LCD Size	6.5" ~ 19"		12.1" / 15"	12.1" / 15"	6.5" ~ 19"		7" ~ 19"	
Input Signal Interface	6.5" ~ 10.4" Model	12.1" ~ 19" Model	Analog VGA + DVI-D	Analog VGA + DVI-D	6.5" ~ 10.4" Model	12.1" ~ 19" Model	7" ~ 12.1" Model	15" ~ 19" Model
	Analog VGA	Analog VGA + DVI-D			Analog VGA	Analog VGA+DVI-D	Composite YPbPr S-Video VGA	BNC Connector YPbPr S-Video VGA DVI
Brightness	300~800 nits		450 nits	800~1000 nits <b>WIN!!</b>	300~800 nits		300~500 nits	
Operation Temperature	-10~50°C		-30~70°C <b>WIN!!</b>	-10~60°C	-10~50°C		0~50°C	
Auto Dimming Function	--		--	Yes	--		Yes (For 15" ~ 19" Model)	
OSD Function	Yes		Yes	Yes	Yes		Yes (For 15" ~ 19" Model)	
Remote Control	--		--	--	--		Yes (For 7" ~ 12.1" Model)	
IEI samrt OSD Support	Yes		Yes	Yes	Yes		Yes	
Front Panel Protection	IP 65		IP 65	IP 65	--		IP 64	

## Wide Temperature Display Monitor



### TDM Series -30°C~70°C

The TDM series offers an extended operational temperature range of -30°C ~ +70°C allowing it to tolerate temperature extremes in harsh operating environment.

## Open Frame Display Monitor



### LCD-KIT Series

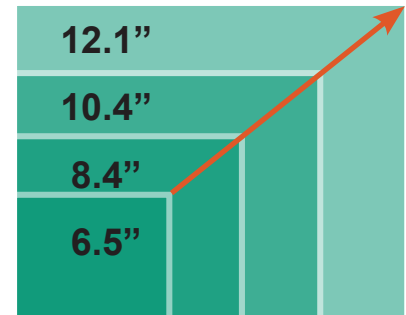
The LCD-KIT series design concepts are ready for versatile applications that are easily integrated into any mechanic structure.

# Heavy Industrial Display Monitor Main Features

## Feature 1

### Upgrade 6.5"~12.1" Display Monitor with LED Backlight Technology

- Inverter-free design increases system reliability and lowers total product cost as well as maintenance cost
- Better for the environment, mercury and lead free
- LCD provides 50000hrs service life
- 15%~30% less power consumption compared to CCFL



## Feature 2

### Increase Power Adapter Efficiency (Meet Energy Related Products ErP)

The display monitor R20 series comes with a power adapter which complies with the ErP 2009/125/EC directive, meaning the power consumption of the whole system in either standby or off mode is under 1W.



## Feature 3

### Dual Touch Screen Control Interface: RS-232 & USB

Display monitor series provides both RS-232 and USB ports for touch screen connection.

- Lockable RS-232 connector ensures secure attachment
- Standard Type A USB 2.0 interface with 480 Mbit/s maximum transfer rate provides faster data transmission than a traditional RS-232 interface (Except 8.4" DM series)



## New

## Feature 4

### M Model Supports 9~36V DC Power Input for Mobile Application

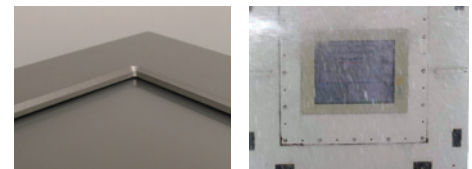
Display Monitor series M models support wide 9~36V DC power input. Factory and mobile environments, such as vehicles, usually use 12V or 24V DC power source. The wide 9~36V power input range by terminal block and 12V power input by power jack solutions adapt to a wide variety of appliance requirements. (Manufacture by order)



## Feature 5

### IP 65 Waterproof Aluminum Front Panel

IP 65 is the highest dust, water and oil proof standard in ground usage. It absolutely prevents any micro-particles from getting into the system front panel and allows the system to function in harsh environments.



## Feature 6

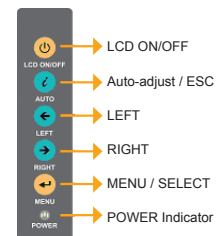
### OSD Function Keypad on the Front Panel

IEI's display monitors have OSD function keys on the front panel. Users can easily configure monitor functions using the waterproof OSD function keys.

#### • OSD lock secures your settings

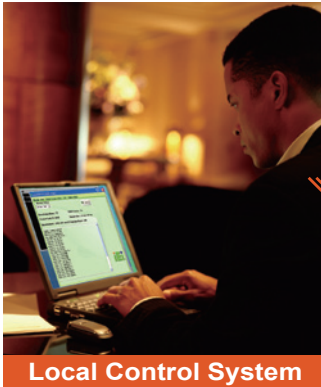
Press left and right buttons eight seconds, the OSD functions will be locked. Press eight seconds again, the OSD functions will be unlocked.

With OSD Disable Function



# IEI SmartOSD Software OSD for IEI LCD Monitors

IEI SmartOSD is a proprietary On-Screen-Display (OSD) software solution that enables easy, remote monitor setting adjustments in Windows environment. IEI SmartOSD delivers excellent performance and provides more flexibility than typical OSD hardware solutions when adjusting a monitor. SmartOSD also allows monitor settings such as brightness, contrast, screen position, size, and color gain to be read and changed over normal video cable (VGA/DVI).



Directly controls IEI display device through standard video cables !

VESA DDC / CI Protocol



DVI~10m



VGA~30m



IEI Display Monitor Only!



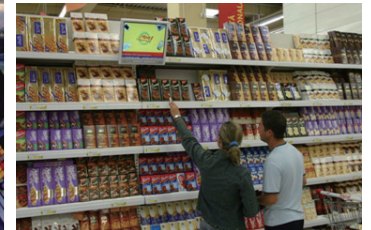
## SmartOSD Features

- 100% compatible with Windows environment -Windows 95/NT 4.0/98/2000/2003/XP/Vista
- Normal video cable (VGA/DVI) connection only
- Overcome operation obstacles

Distance, location and multiple display units no longer present obstacles when controlling the monitors with the SmartOSD.



Multiple Control Displays



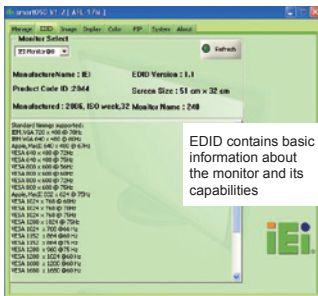
Untouchable Location

## 100% Compatible with VESA DDC / CI Protocol

IEI LCD monitors are implemented with the VESA DDC/CI protocol and standard VESA Monitor Control Command Set (MCCS). Compliance software for designing displays compatible with VESA's DDC/CI and MCCS standards are easily modified and applied in other application programs.

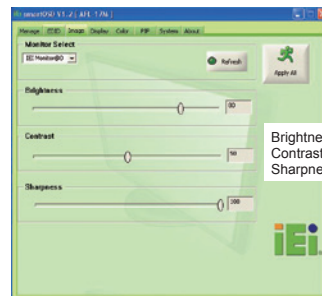
### Various Remote Management Functions

#### 1. EDID



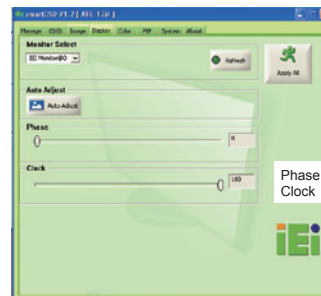
EDID contains basic information about the monitor and its capabilities

#### 2. Image Setting



Brightness Contrast Sharpness

#### 3. Display Setting



Phase Clock

#### 4. Color Setting



User Red Gain  
User Green Gain  
User Blue Gain  
Color Temperature  
Gamma

#### 5. Picture in Picture Setting



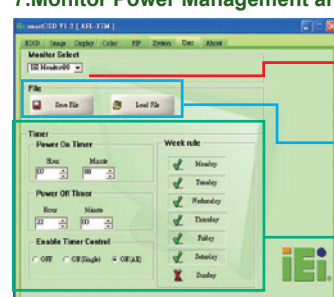
PIP On/Off  
PIP Input Source  
PIP Size

#### 6. System Setting



Monitor Power Control  
Auto Brightness  
Main Source Input  
Volume  
Misc (Factory Reset/OSD Lock/OSD Unlock)  
Mute

#### 7. Monitor Power Management and File Saving



**Monitor Select**  
Selects the monitor unit for which the system parameters will be adjusted

**Settings Saving**  
Saves the referred settings of all the OSD functions as .dat files and load the settings

**Power Management**  
Sets the monitor power on/off by time and week

# DM Series

6.5"~19" IP 65 Industrial Monitors, Robust, Shock Resistant with OSD Function



## Features

1. Aluminum front panel meets IP 65 standard for tough working environment
2. Combination USB & RS-232 Touch Interfaces
3. Robust chassis and retention kit structure for shocking and vibration requirement
4. Over 300cd/m<sup>2</sup> high brightness and 50000hrs MTFB long lifetime panel
5. Analog VGA and DVI-D interface supports most of general system boards
6. M models support 9~36V DC power input for mobile application



## Specifications

Model	DM-65GHS	DM-84GHS	DM-104GHS	DM-121GXS	DM-150GS	DM-170GS	DM-190GS
LCD Size	6.5"	8.4"	10.4"	12.1"	15"	17"	19"
Input Interface	Analog VGA	Analog VGA	Analog VGA	Analog VGA + DVI-D	Analog VGA + DVI-D	Analog VGA + DVI-D	Analog VGA + DVI-D
Max Resolution	640 x 480	800 x 600	800 x 600	1024 x 768	1024 x 768	1280 x 1024	1280 x 1024
Brightness (cd/m <sup>2</sup> )	800 Sunlight Readable	450	400	500	350	300	450
Contrast Ratio	600 : 1	600 : 1	700 : 1	700 : 1	500 : 1	800 : 1	1000 : 1
Display Color	262K	262K	262K	262K	16.2M	16.7M	16.7M
Pixel Pitch (mm)	0.207	0.213	0.264	0.3075	0.297	0.264	0.294
Viewing Angle (H/V)	160° / 140°	160° / 140°	160° / 140°	160° / 160°	120° / 100°	160° / 160°	170° / 160°
Touch Screen	Resistive type 4-wire / RS-232 & USB interface (touch controller IC is on board)		Resistive type 5-wire / RS-232 & USB interface (touch controller IC is on board)				
Front Frame	Aluminum						
Chassis	Heavy-duty						
Input Voltage	12VDC	12VDC or 9-36VDC					
OSD Function	OSD Keypad						
Smart OSD	Yes						
Mounting	Wall/Arm/Din Panel/Rack	Wall / Panel / Rack / Arm / Stand / VESA 100mm x 100mm					
Color	Silver						
Dimensions (W x H x D mm)	183 x 143 x 41	244 x 178 x 49	312 x 242 x 53	340 x 260 x 58	410 x 309 x 64.4	452 x 356 x 65.2	482 x 399 x 73
Operating Temperature	-10°C~50°C				0°C~50°C		
Front Panel Protection	IP 65						
Net Weight	1 kg	1.8 kgs	3 kgs	3.8 kgs	6 kgs	8.6 kgs	10 kgs
Power Adapter	36W, 63000-FSP036RAB610-RS				60W, 63040-010060-040-RS		

## Mounting Kits

	DM-65GS	DM-84GS	DM-104GS	DM-121GS	DM-150GS	DM-170GS	DM-190GS
Panel Mount Kit	PK-65M	PK-84M	PK-104M	PK-170M			PK-190M
Wall Mount Kit	WK-065MS-R10	WK-190MS-R10					
Rack Mount Kit	RK-065MS-R10	RK-084MS-R10	RK-104MS-R10	RK-121MS-R10	RK-150MS-R10	RK-170MS-R10	RK-190MS-R10
Din Mount Kit	DK-84MS		N/A				
LCD Monitor Arm	ARM-11				ARM-31		
LCD Monitor Stand	STAND-100-RS				STAND-210-R11		

## Packing List

Description	Part Number	Remark
1 x AC power cable	32000-089900-RS	Length:1800mm (EU or US, Which type of cord is shipped depends on the contry)
1 x VGA cable	32000-036200-RS	Length:1800mm
1 x 60W AC power adapter	63040-010060-040-RS	For DM-150GS-R20 / 170GS-R20 / 190GS-R20 series Operating Temperature : 0°C~ +40°C
1 x 36W AC power adapter	63000-FSP036RAB610-RS	For DM-65GHS-R20 / 84GHS-R20 / 104GHS-R20 / 121GXS-R20 series Operating Temperature : 0°C~ +40°C
1 x User manual		
1 x Power cable for terminal block	32100-041001-RS	For M model only
1 x Touch screen RS-232 Cable / USB Cable / Driver CDROM	RS-232 Cable:32005-001100-100-RS USB Cable:32001-006100-100-RS	Length: 1800 mm Length: 1500 mm
1 x Touch pen	43125-0002C0-00-RS	

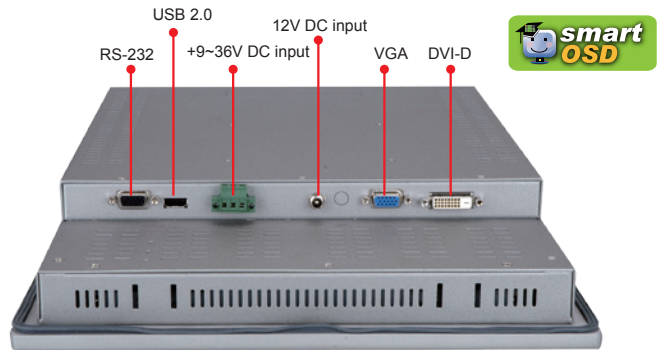
## Ordering Information

Part No.		Description
6.5"	DM-65GHS/R-R20	6.5" 800cd/m <sup>2</sup> High luminance VGA LCD monitor with VGA, Aluminum front panel, Silver color, W/RS-232 and USB Touch screen, R20, RoHS
8.4"	DM-84GHS/R-R20	8.4" 450cd/m <sup>2</sup> High luminance SVGA LCD monitor, Aluminum front panel, Silver color,W/RS-232 Touch screen, R20, RoHS
	DM-84GHMS/R-R21	8.4" 450cd/m <sup>2</sup> High luminance SVGA LCD monitor, Aluminum front panel, Silver color,W/RS-232 Touch screen, 9~36V DC input, R21, RoHS
	DM-84GHS-USB/R-R20	8.4" 450cd/m <sup>2</sup> High luminance SVGA LCD monitor, Aluminum front panel, Silver color,W/USB Touch screen, R20, RoHS
	DM-84GHMS-USB/R-R21	8.4" 450cd/m <sup>2</sup> High luminance SVGA LCD monitor, Aluminum front panel, Silver color,W/USB Touch screen, 9~36V DC input, R21, RoHS
10.4"	DM-104GHS/R-R20	10.4" 400cd/m <sup>2</sup> High luminance SVGA LCD monitor, Aluminum front panel, Silver color, W/RS-232 and USB Touch screen, R20, RoHS
	DM-104GHMS/R-R21	10.4" 400cd/m <sup>2</sup> High luminance SVGA LCD monitor, Aluminum front panel, Silver color, W/RS-232 and USB Touch screen, 9~36V DC input, R21, RoHS
12.1"	DM-121GXS/R-R20	12.1" 500cd/m <sup>2</sup> XGA LCD monitor, Aluminum front panel, Silver color,W/RS-232 and USB Touch screen, R20, RoHS
	DM-121GXMS/R-R21	12.1" 500cd/m <sup>2</sup> XGA LCD monitor, Aluminum front panel, Silver color,W/RS-232 and USB Touch screen, 9~36V DC input, R21, RoHS
15"	DM-150GS/R-R20	15" 350cd/m <sup>2</sup> XGA LCD monitor, Aluminum front panel, Silver color, W/RS-232 and USB Touch screen, R20, RoHS
	DM-150GMS/R-R21	15" 350cd/m <sup>2</sup> XGA LCD monitor, Aluminum front panel, Silver color, W/RS-232 and USB Touch screen, 9~36V DC input, R21, RoHS
17"	DM-170GS/R-R20	17" 300cd/m <sup>2</sup> SXGA LCD monitor, Aluminum front panel, Silver color, W/RS-232 and USB Touch screen, R20, RoHS
	DM-170GMS/R-R21	17" 300cd/m <sup>2</sup> SXGA LCD monitor, Aluminum front panel, Silver color,W/RS-232 and USB Touch screen, 9~36V DC input, R21, RoHS
19"	DM-190GS/R-R21	19" 450cd/m <sup>2</sup> SXGA LCD monitor, Aluminum front panel, Silver color, W/RS-232 and USB Touch screen, R21, RoHS
	DM-190GMS/R-R22	19" 450cd/m <sup>2</sup> SXGA LCD monitor, Aluminum front panel, Silver color, W/RS-232 and USB Touch screen,9~36V DC input, R22, RoHS

Note: The smartOSD function is only supported by revision 11 models and above

# TDM-121/150GMS

## 12.1"/15" Wide Range Temperature TFT LCD Monitor



### Features

1. Wide operating temperature: -30°C~+70°C
2. 12.1" XGA high resolution
3. Superior image
4. M models support 9~36V DC power input for mobile application
5. DVI-D and analog VGA input interface for comprehensive usage
6. IP 65 compliant

### Specifications

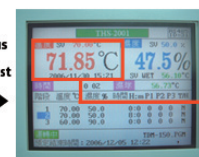
Model	TDM-121GMS	TDM-150GS
LCD Size	12.1"	15"
Input Interface	Analog VGA + DVI-D	Analog VGA + DVI-D
Max. Resolution	1024 x 768	1024 x 768
Brightness (cd/m <sup>2</sup> )	500	450
Contrast Ratio	700 : 1	700 : 1
Display Color	262K	16.2M
Pixel Pitch (mm)	0.3075	0.297
Viewing Angle (H/V)	160/160	160/160
Touch Screen	Resistive Type 8-Wire	
Front Frame	Aluminum	Aluminum
Chassis	Heavy-duty	Heavy-duty
Input Voltage	9-36VDC	9-36VDC
OSD Function	Yes	Yes
Smart OSD	Yes	Yes
Mounting	Wall / Panel / Rack / Arm Stand / VESA 100mm x 100mm	
Color	Sliver	
Dimensions (W x H x D mm)	340 x 260 x 58	410 x 309 x 55.1
Operating Temperature	-30°C~70°C	
Front Panel Protection	IP 65	
Net Weight	3.3 kgs	6 kgs

### IEI Strict Design Quality Verification

Typical monitors can only be used in environments that have temperatures in the range of 0°C to 50°C. Extended IEI environmental testing is performed to ensure the TDM series continues to function properly over its entire service life in a wide temperature range of -30°C to +70°C. After being tested in the -30°C to +70°C temperature range, the TDM series was found to maintain its original luminance.

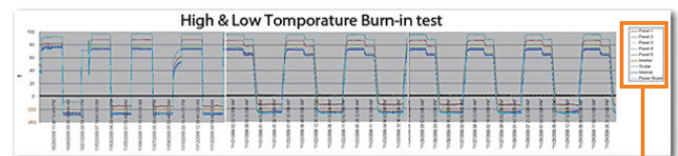


IEI In House Burn-In Testing Laboratory



Burn-In Testing Setting

To assure the TDM can function properly in harsh working environment, the internal temperature of test chamber was set in the range -30°C to +70°C



Burn-In Testing Report

Nine thermocouples record all the temperature variations during the burn-in test and the TDM monitor functions during the test.

## ■ 12.1" XGA Resolution: 1024 x 768

The TDM-121GMS supports higher resolutions and smaller pixel pitches (0.24mm versus 0.24mm) to deliver great computer displays.



TDM-121GMS



## ■ High Brightness: 450 cd/m<sup>2</sup>

With a luminance of 450 cd/m<sup>2</sup>, the TDM series offers an improvement over the 250 to 300cd/m<sup>2</sup> luminance typically available with other 12.1-inch TFT LCD modules. The high-brightness feature ensures the screen content is highly visible in all lighting conditions



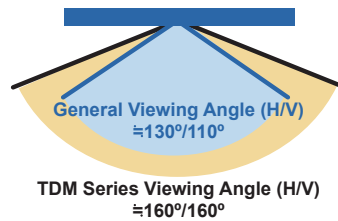
Normal Brightness



High Brightness

## ■ Wide Viewing Angle: 160°

Typical small-size monitors only support 130°/110° (H/V) viewing angle, but IEI TDM series can support viewing angle up to 160°/160° (H/V). Viewing angle maintains screen brightness by reducing the possibility of color change when you view the monitor from the side.



TDM Series Viewing Angle



General Viewing Angle

## Mounting Kits

	TDM-121GMS	TDM-150GMS
Panel Mount Kit	PK-170M	PK-170M
Wall Mount Kit	WK-190MS-R10	WK-190MS-R10
Stand	STAND-100-RS	STAND-200-R11
Arm	ARM-11-RS	ARM-31-RS
Rack Mount Kit	RK-121MS-R10	RK-150MS-R10

## Options Power

Description	Part Number	Remark
1 x 36W AC power adapter	63000-FSP036RAB610-RS	Operating temperature : 0°C~ +40°C

## Packing List

Description	Part Number	Remark
1 x AC power cable	32000-089900-RS	Length:1800mm (EU or US, Which type of cord is shipped depends on the contry)
1 x VGA cable	32000-036200-RS	Length:1800mm
1 x User manual		
1 x Power cable for terminal block	32100-041001-RS	For M model only
1 x Touch screen RS-232 Cable / USB Cable / Driver CDROM	RS-232 Cable:32005-001100-100-RS USB Cable:32001-006100-100-RS	Length:1800mm Length:1500mm
1 x Touch Pen	43125-0002C0-00-RS	

## Ordering Information

Part No.	Description
TDM-121GMS/R-R21	12.1" 500cd/m <sup>2</sup> XGA LCD monitor, Aluminum front panel, W/12.1" touch screen, 9~36V input DC input, -30°C ~ +70°C operating temperature, R21, RoHS
TDM-150GMS/R-R21	15" 450cd/m <sup>2</sup> XGA LCD Monitor, Aluminum front panel, W/15" touch screen, 9~36V input DC input, -30°C ~ +70°C operating temperature, R21, RoHS

# SRM-121/150

12.1"/15" Sunlight Readable TFT LCD Monitor

Fanless

SRM Series



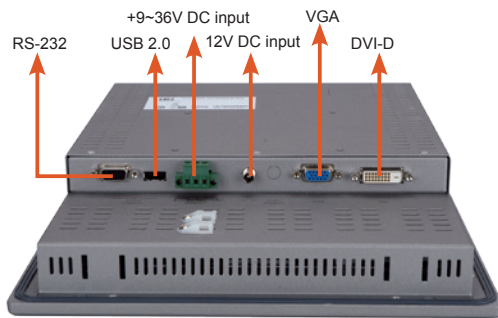
With Auto-Dimming Function

Open Frame

SRM-KIT Series



Extendable OSD Cable with Auto-Dimming Function



## Features

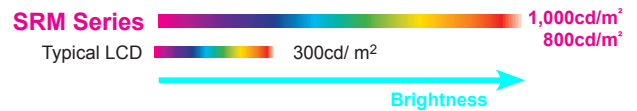
1. 800 and 1000nits super high brightness
2. Superior fanless design
3. 12.1" anti-reflection technology reduces light reflection and high transmission rate to prevent light loss or distortion
4. Adjustable auto-dimming function
5. Wide operating temperature: -10°C~+60°C
6. OSD lock secures your settings
7. IEI patent software OSD support

## Specifications

Model	SRM-121XA	SRM-150GS
	SRM-KIT121XA	SRM-KIT150G
LCD Size	12.1"	15"
Input Interface	Analog VGA + DVI-D	
Max Resolution	1024 x 768 (XGA)	1024 x 768 (XGA)
Brightness (cd/m <sup>2</sup> )	1000	800
Contrast Ratio	700:1	600:1
Display Color	262k	262k
Pixel Pitch (mm)	0.240	0.297
Viewing Angle (H/V)	120°/120°	150°/110°
Touch Screen	Resistive Type 5-Wire	
Front Frame	Aluminum	
Chassis	Heavy-duty	
Input Voltage	9-36VDC	
OSD function	Yes	
Smart-OSD	Yes	
Mounting	Wall / Panel / Rack / Arm / Stand / VESA 100mm x 100mm	
Color	Sliver	
Dimensions (W x H x D mm)	340 x 260 x 58 316 x 224.4 x 47.9	410 x 309 x 55.1 364.1 x 262.5 x 46
Operating Temperature	-10°C ~ +60°C	
Front Panel Protection	IP 65 N/A	
Net Weight	3.3 kgs	6 kgs
Power Adapter		

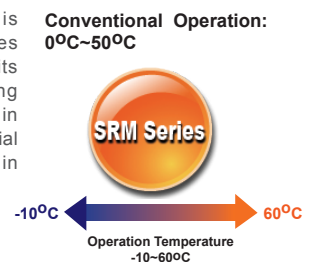
## ■ Super High Brightness

Typical high brightness monitors usually have more than six CCFLs, but IEI SRM monitors have super high brightness with only four CCFLs. IEI SRM panels are still readable in bright sunlight with fewer backlights and thereby don't power consumption or produce extra heat.



## ■ Wide Temperature Range

Extended IEI environment testing is performed to ensure the SRM series continues to function properly over its entire service life in a wide working temperature range of -10°C to +60°C in order to accommodate diverse industrial applications such as outdoor kiosks in winter and summer.



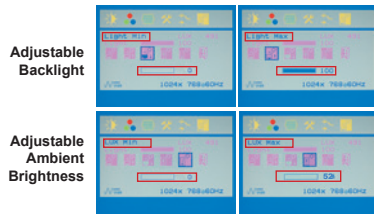
## ■ Superior Fanless Design and Low Power Consumption

SRM models are fanless and therefore use less power and are more silent than conventional high brightness monitors that use several high-speed cooling fans. SRM models use between 25W and 30W of power compared to the 40W to 50W used by conventional high-brightness monitors.



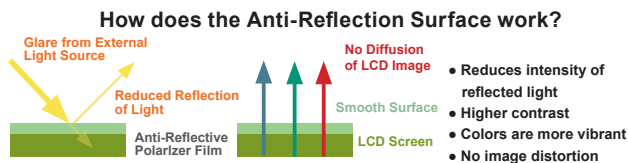
## Innovative Auto-Dimming Function

IEI SRM series with auto-dimming function can adjust brightness according to ambient light so that users can do their job properly under different lamp house averages, and outdoor environments. This function not only prevents unnecessary brightness that strains eyes, it also saves energy. The SRM series auto-dimming default settings can be easily customized with the OSD menu to suit any environment.



## Anti-Reflection Technology

Outdoor applications in daylight or other bright environments require technology that can suppress surface reflection. The SRM has a special AR (anti-reflection) surface treatment to prevent reflection, ensuring excellent visibility in daylight conditions.



## Mounting Kits

	SRM-150GS
Panel Mount Kit	PK-170M
Wall Mount Kit	WK-190MS-R10
Rack Mount Kit	RK-150MS-R10
LCD Monitor Arm	ARM-31
LCD Monitor Stand	STAND-210-R11

## Ordering Information

### 12.1" XGA SRM Series

Model	Description
SRM-121XA/R-R20	12.1" 1000cd/m <sup>2</sup> sun readable XGA LCD monitor, Aluminum Front Panel, Silver Color, w/VGA and DVI-D input, w/12.1" RS-232 and USB Touch Screen, R20, RoHS
SRM-121XMA/R-R21	12.1" 1000cd/m <sup>2</sup> sun readable XGA LCD monitor, Aluminum Front Panel, Silver Color, w/VGA and DVI-D input, w/9~36V DC input, w/12.1" RS-232 and USB Touch Screen, R21, RoHS

### 15" XGA SRM Series

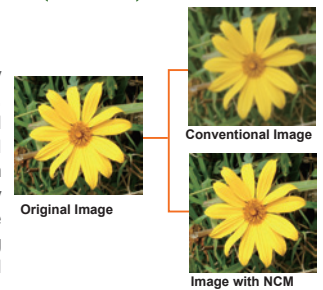
Model	Description
SRM-150GS/R-R20	15" 800cd/m <sup>2</sup> Sun Readable XGA LCD Monitor, Aluminum Front Panel, Silver Color, w/VGA and DVI-D input, w/15" RS-232 and USB Touch Screen, R20, RoHS
SRM-150GMS/R-R21	15" 800cd/m <sup>2</sup> Sun Readable XGA LCD Monitor, Aluminum Front Panel, Silver Color, w/VGA and DVI-D input, w/9~36V DC input, w/15" RS-232 and USB Touch Screen, R21, RoHS

### 12.1"/15" SRM-KIT Series

Model	Description
SRM-KIT121XA-R20	12.1" 1000 cd/m <sup>2</sup> Sun Rdadable XGA TFT LCD kit, VGA and DVI-D input, R20, RoHS
SRM-KIT150G-R20	15" 800 cd/m <sup>2</sup> Sun Rdadable XGA TFT LCD kit, VGA and DVI-D input, R20, RoHS
SRM-KIT121XMA-R20	12.1" 1000 cd/m <sup>2</sup> Sun Readable XGA TFT LCD kit, VGA and DVI-D input, w/9~36V DC input, R20, RoHS
SRM-KIT150GM-R21	15" 800 cd/m <sup>2</sup> Sun Readable XGA TFT LCD kit, VGA and DVI-D input, w/9~36V DC input, R21, RoHS

## Natural Color Matrix (NCM) Technology

POS terminals and kiosks often display advertisements and colorful images, the colors of which must remain vivid and faithful to the original. The IEI SRM monitor with NCM optimization technology prevents this difference by separating color data and luminance components while controlling individual display colors for optimized performance.



## 12.1" XGA High Resolution

The SRM-121XA series supports higher resolutions and smaller pixel pitches (0.24mm versus 0.24mm) to deliver great displays. Higher resolution on a high-density display allows more viewable content so that the user does not have to scroll as much to view the entire screen.

### 12.1" SVGA Screen Capture vs 12.1" XGA Screen Capture

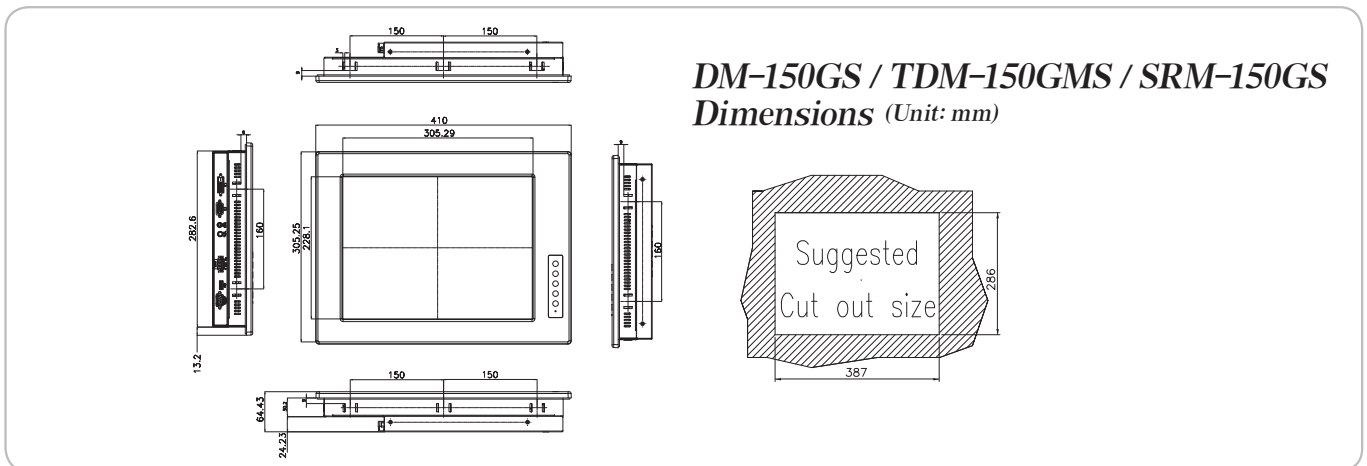
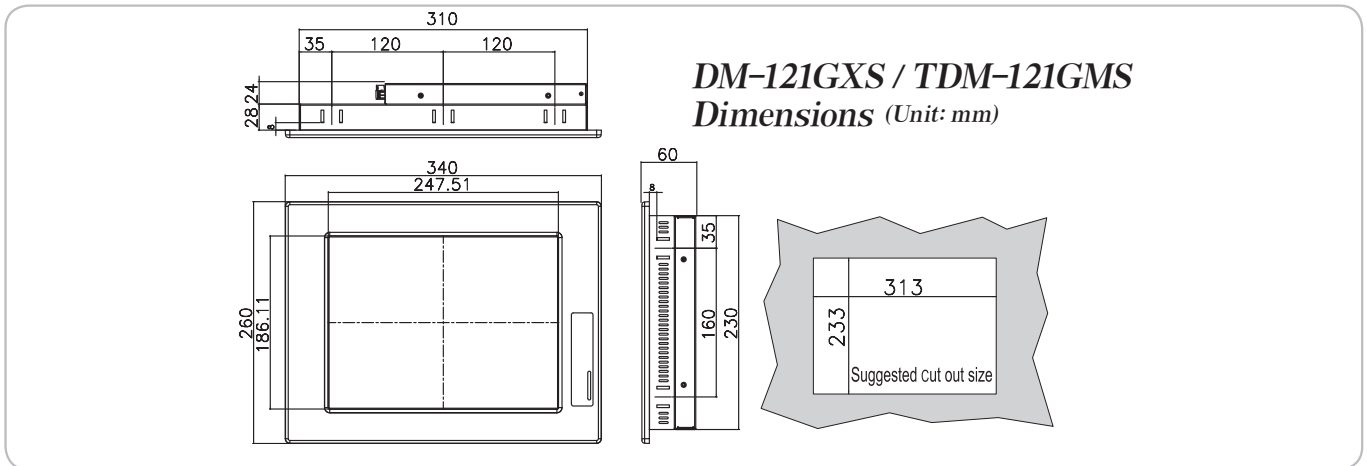
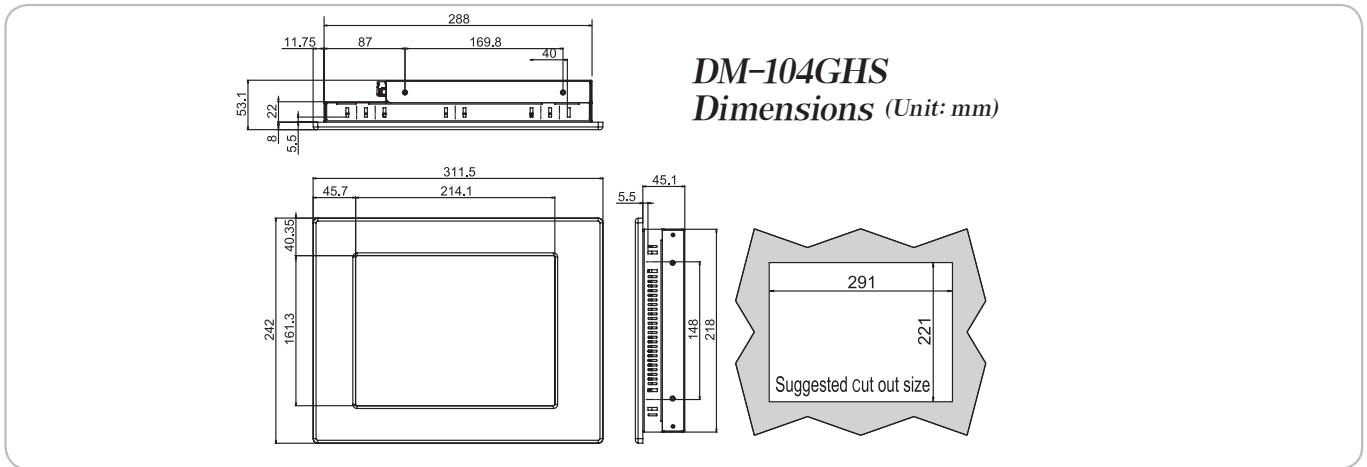
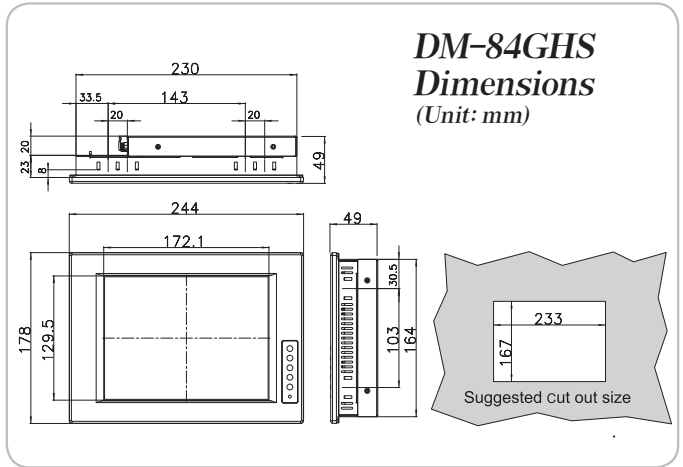
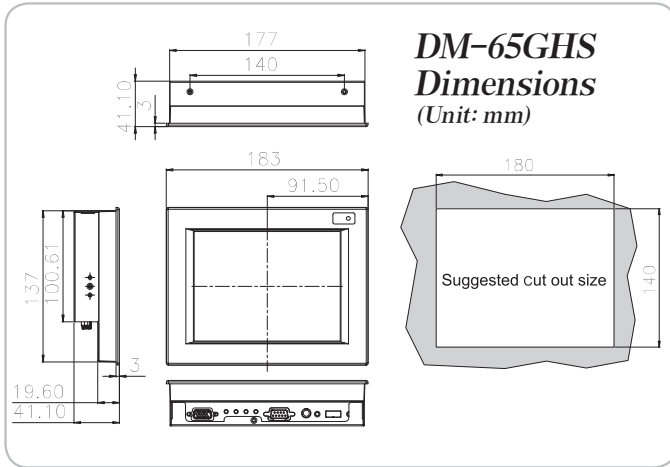


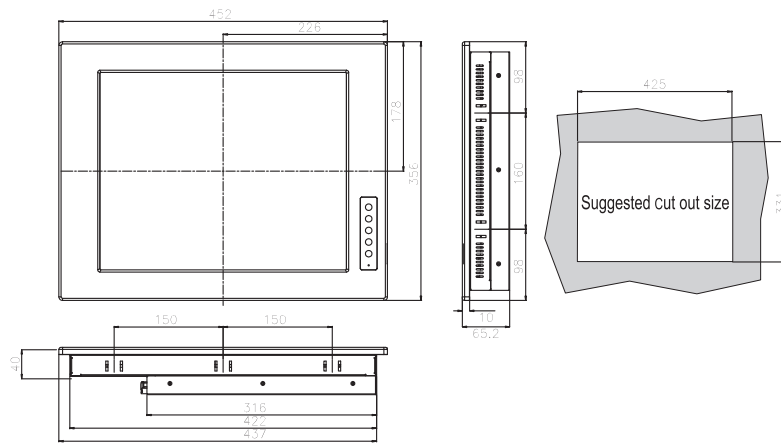
### XGA Higher Resolution

- Presents vivid and fine display quality
- Increases viewable content

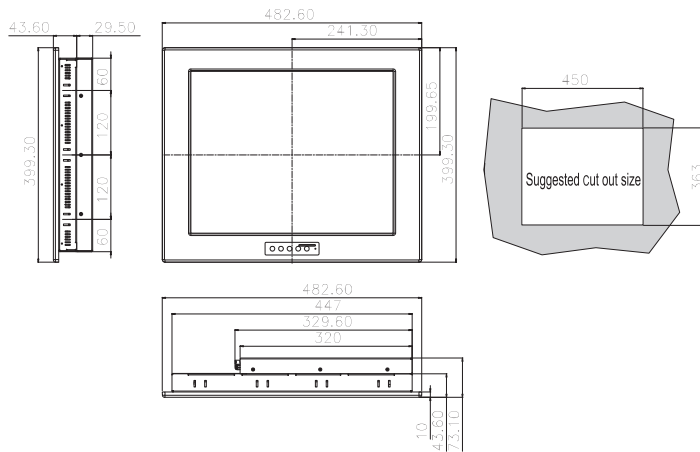
## Packing List

Description	Part Number	Remark
1 x AC power cable	32000-089900-RS	Length: 1800mm (EU or US, Which type of cord is shipped depends on the contry)
1 x VGA cable	32000-036200-RS	Length:1800mm
1 x DVI cable	32000-086600-RS	Length:1800mm
1 x 36W AC power adapter	63000-FSP036RAB610-RS	Operating Temperature : 0°C~ +40°C (for 12V DC Input Model Only)
1 x User manual		
1 x Power cable for terminal block	32100-041001-RS	For M model only
1 x Touch screen RS-232 Cable / USB cable / Driver CDROM	RS-232 Cable:32005-001100-100-RS USB Cable:32001-006100-100-RS	Length:1800mm Length:1500mm
1 x Touch pen	43125-0002C0-00-RS	

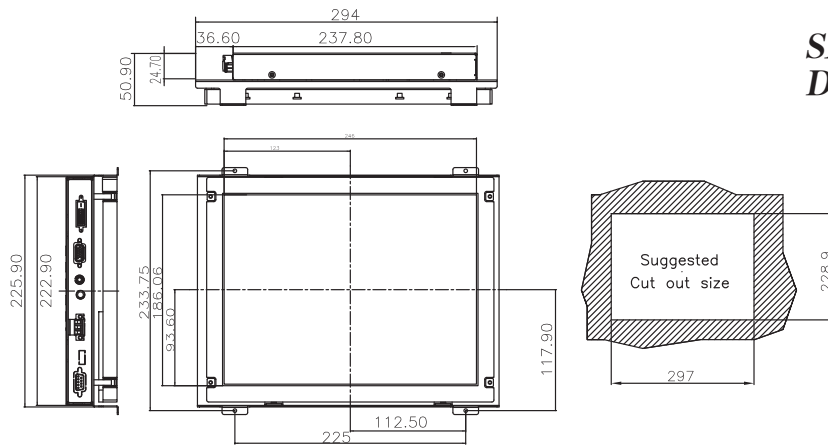




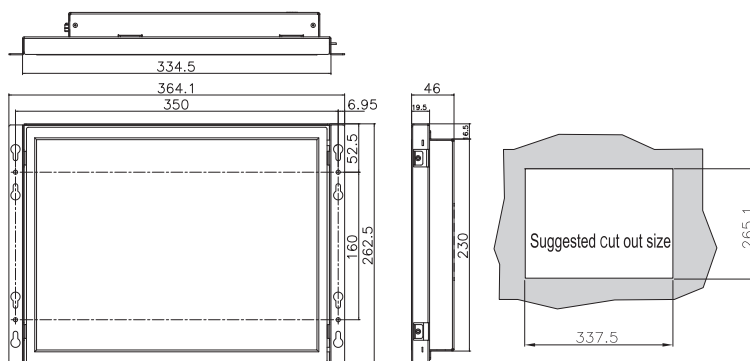
**DM-170G**  
Dimensions (Unit: mm)



**DM-190G**  
Dimensions (Unit: mm)



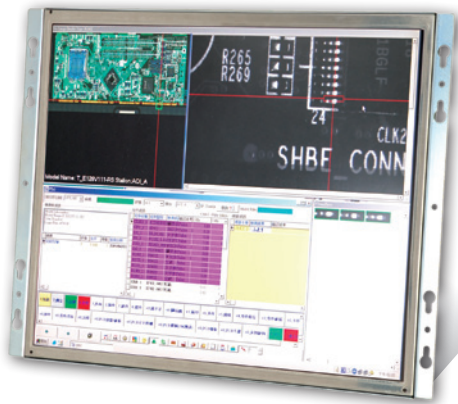
**SRM-KIT121G**  
Dimensions (Unit: mm)



**SRM-KIT150G**  
Dimensions (Unit: mm)

# LCD Kit Series

6.5" ~ 19" Open Frame LCD Monitor with OSD Function



**Sunlight Readable Available**

## Features

1. 6.5"~19" modular architecture for efficient integration
2. Over 300cd/m<sup>2</sup> high brightness and 50000hrs MTFB long lifetime panel
3. Analog VGA or digital DVI interfaces support most of general systems
4. Sunlight readable option
5. Support software OSD for remote control applications



## Specifications

Model					1000 nits				800 nits	
	LCD-KIT65GH	LCD-KIT84GH	LCD-KIT104GH	LCD-KIT121GX	LCD-KIT150G	LCD-KIT170G	LCD-KIT190G	SRM-KIT121XA	SRM-KIT150G	
LCD Size	6.5"	8.4"	10.4"	12.1"	15"	17"	19"	12.1"	15"	
Input Interface	Analog VGA				Analog VGA + DVI-D					
Max. Resolution	640 x 480	800 x 600	800 x 600	1024 x 768	1024 x 768	1280 x 1024	1280 x 1024	1024 x 768	1024 x 768	
Brightness (cd/m <sup>2</sup> )	800	450	400	500	350	300	450	1000	800	
Contrast Ratio	600 : 1	600 : 1	700 : 1	700 : 1	500 : 1	800 : 1	1000 : 1	700:1	600:1	
Display Color	262K	262K	262K	262K	16.2M	16.7M	16.7M	262k	262k	
Pixel Pitch (mm)	0.207	0.213	0.264	0.3075	0.297	0.264	0.294	0.240	0.297	
Viewing Angle (H/V)	160/140	160/140	160/140	160/160	120/100	160/160	170/160	120°/120°	150°/110°	
Chassis	Heavy-duty									
Input Voltage	12VDC	12VDC or 9-36VDC								
OSD function	Yes									
Smart-OSD	Yes									
Mounting	Panel									
Dimensions (W x H x D mm)	203 x 121 x 34	234 x 147 x 35.3	242.2 x 209 x 33.6	294 x 240.7 x 42	364.1 x 262.5 x 41.9	390.4 x 300 x 46.9	427.9 x 327.4 x 48.4	316 x 224.4 x 47.9	364.1 x 262.5 x 46	
Operating Temperature	-10°C~50°C							-10°C~60°C		
Net Weight	1 kg	1.8 kgs	3 kgs	3.8 kgs	6 kgs	8.6 kgs	10 kgs	3.3 kgs	6 kgs	
Power Adapter	36W, 63000-FSP036RAB610-RS				50W, 63000-FSP050DBAB1411-RS			36W, 63000-FSP036RAB610-RS		

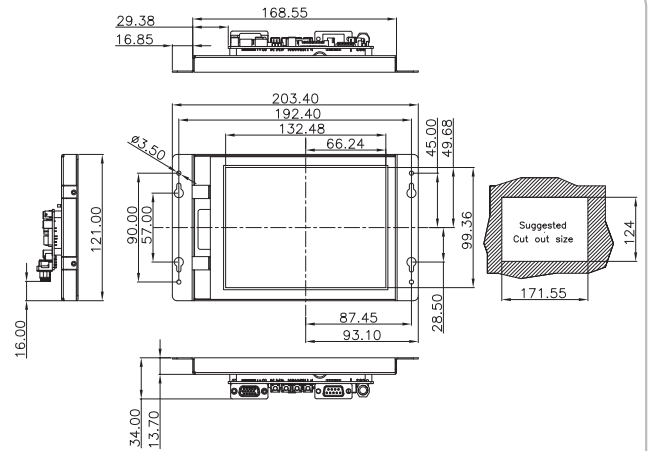
Note: The smartOSD function is supported by revision 11 models and above

## Ordering Information

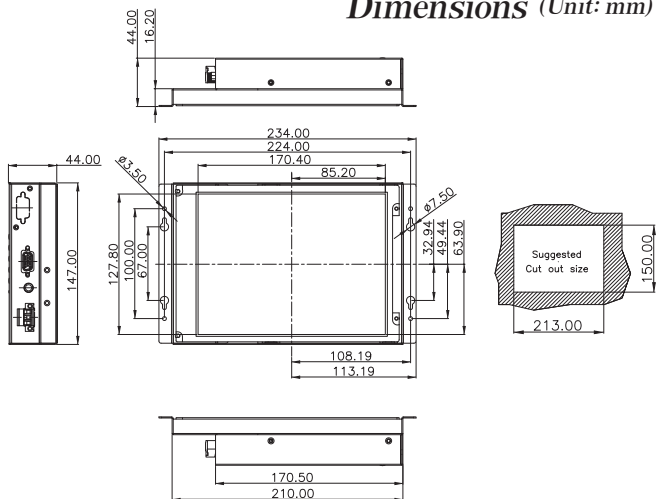
	Part No.	Description
6.5"	LCD-KIT65GH-R20	6.5" 800cd/m <sup>2</sup> High luminance VGA TFT LCD kit, VGA input, R20, RoHS
	LCD-KIT84GH-R20	8.4" 450cd/m <sup>2</sup> High luminance SVGA TFT LCD kit, VGA input, R20, RoHS
8.4"	LCD-KIT84GHM-R21	8.4" 450cd/m <sup>2</sup> High luminance SVGA TFT LCD kit, VGA input, 9~36V DC input, R21, RoHS
	LCD-KIT104GH-R20	10.4" 400cd/m <sup>2</sup> High luminance SVGA TFT LCD kit, VGA input, R20, RoHS
10.4"	LCD-KIT104GHM-R21	10.4" 400cd/m <sup>2</sup> High luminance SVGA TFT LCD kit, VGA input, 9~36V DC input, R21, RoHS
	LCD-KIT121GX-R20	12.1" 500cd/m <sup>2</sup> XGA TFT LCD kit, VGA and DVI-D input, R20, RoHS
12.1"	LCD-KIT121GXM-R21	12.1" 500cd/m <sup>2</sup> XGA TFT LCD kit, VGA and DVI-D input, 9~36V DC input, R21, RoHS
	SRM-KIT121XA-R20	12.1" 1000 cd/m <sup>2</sup> Sun Readable XGA TFT LCD kit, VGA and DVI-D input, R20, RoHS
	SRM-KIT121XMA-R21	12.1" 1000 cd/m <sup>2</sup> Sun Readable XGA TFT LCD kit, VGA and DVI-D input, w/9-36V DC input, R21, RoHS
	LCD-KIT150G-R20	15" 350cd/m <sup>2</sup> XGA TFT LCD kit, VGA and DVI-D input, R20, RoHS
15"	LCD-KIT150GM-R21	15" 350cd/m <sup>2</sup> XGA TFT LCD kit, VGA and DVI-D input, 9~36V DC input, R21, RoHS
	SRM-KIT150G-R20	15" 800 cd/m <sup>2</sup> Sun Rdadable XGA TFT LCD kit, VGA and DVI-D input, R20, RoHS
	SRM-KIT150GM-R21	15" 800 cd/m <sup>2</sup> Sun Readable XGA TFT LCD kit, VGA and DVI-D input, w/9-36V DC input, R21, RoHS
	LCD-KIT170GS-R20	17" 300cd/m <sup>2</sup> SXGA TFT LCD kit, VGA and DVI-D input, R20, RoHS
17"	LCD-KIT170GM-R21	17" 300cd/m <sup>2</sup> SXGA TFT LCD kit, VGA and DVI-D input, 9~36V DC input, R21, RoHS
	LCD-KIT190G-R21	19" 450cd/m <sup>2</sup> SXGA TFT LCD kit, VGA and DVI-D input, R21, RoHS
19"	LCD-KIT190GM-R22	19" 450cd/m <sup>2</sup> SXGA TFT LCD kit, VGA and DVI-D input, 9~36V DC input, R22, RoHS

Note: The smartOSD function is supported by revision 11 models and above

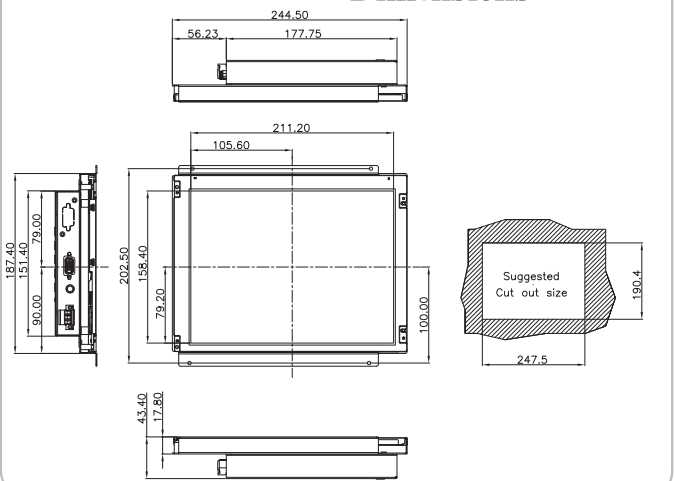
**LCD-KIT65GH**  
Dimensions (Unit: mm)



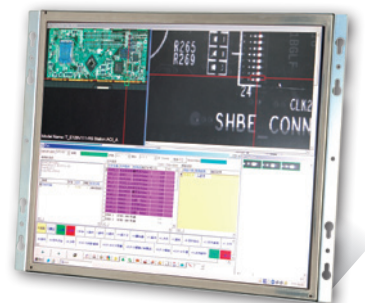
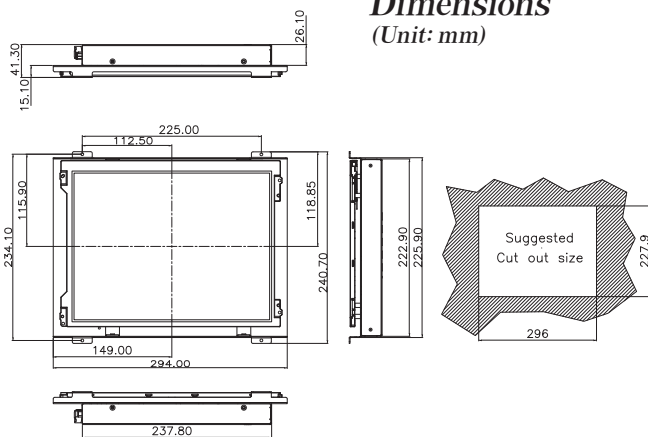
**LCD-KIT84GH**  
Dimensions (Unit: mm)

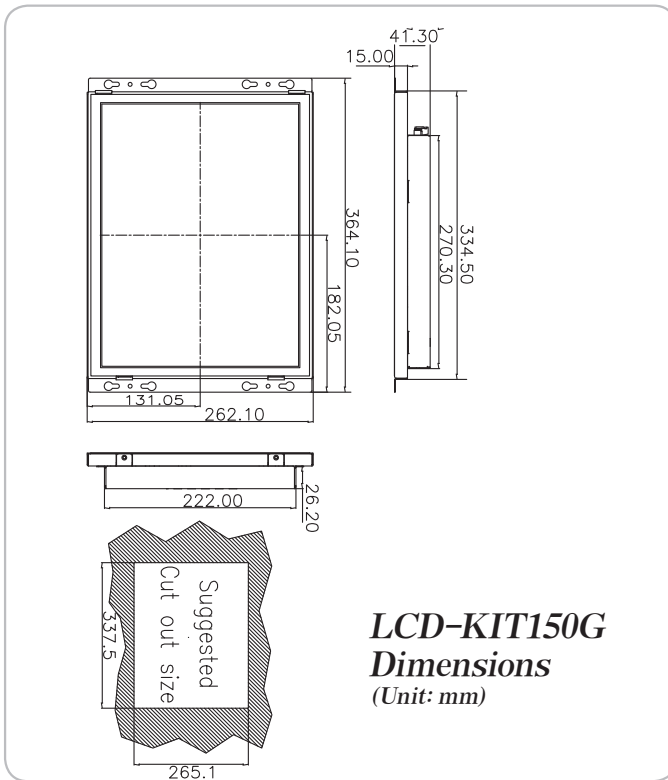


**LCD-KIT104GH**  
Dimensions (Unit: mm)

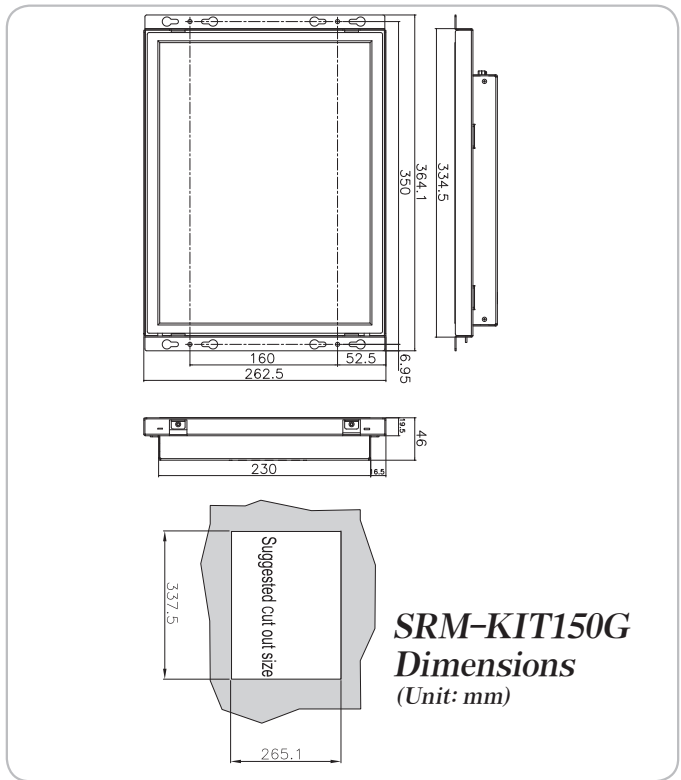


**LCD-KIT121G**  
Dimensions (Unit: mm)

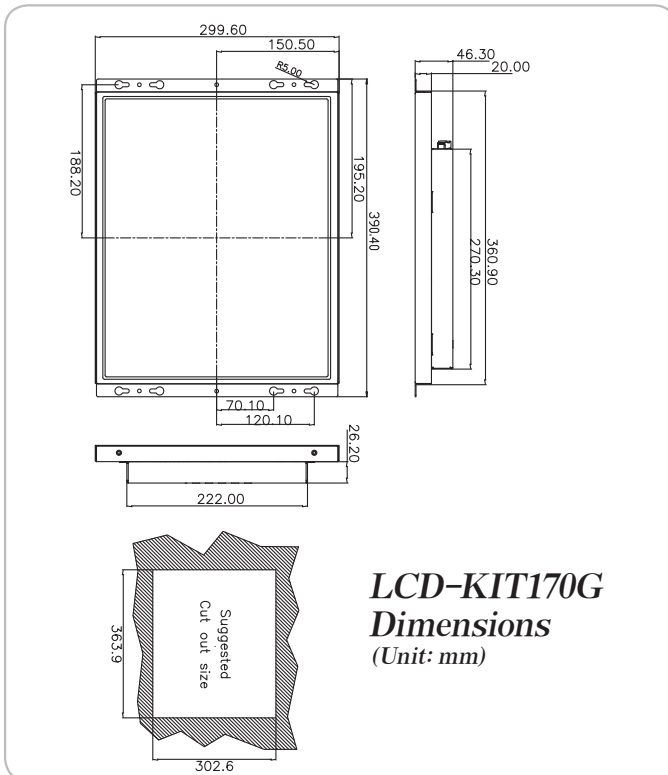




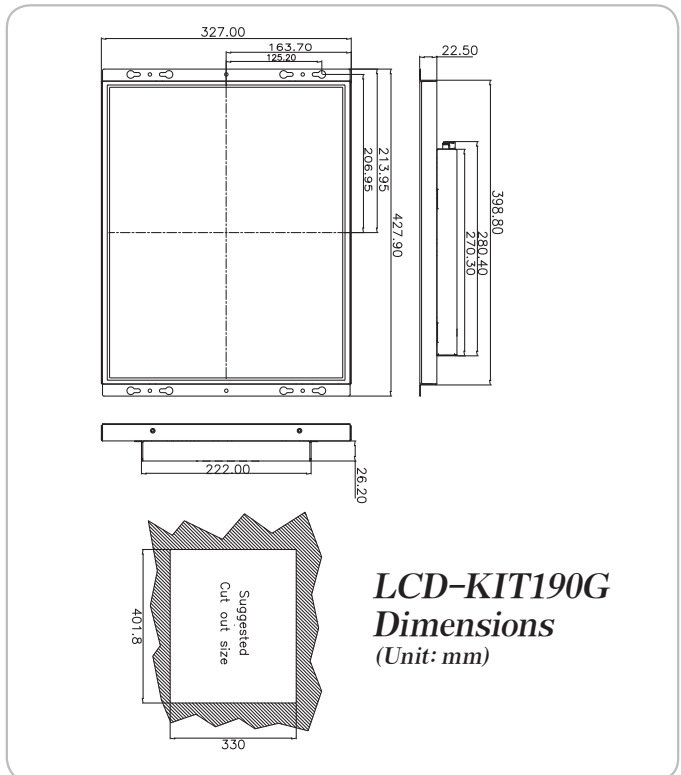
**LCD-KIT150G**  
Dimensions  
(Unit: mm)



**SRM-KIT150G**  
Dimensions  
(Unit: mm)



**LCD-KIT170G**  
Dimensions  
(Unit: mm)



**LCD-KIT190G**  
Dimensions  
(Unit: mm)

# Touch Screen Series

6.5" ~ 19" Resistive LCD Touch Screen Kit



## Features

1. Optical clarity: Total transmission 78 % or more
2. Input through a special stylus or finger 100g or less
3. High reliability and durability in the field

## Packing List

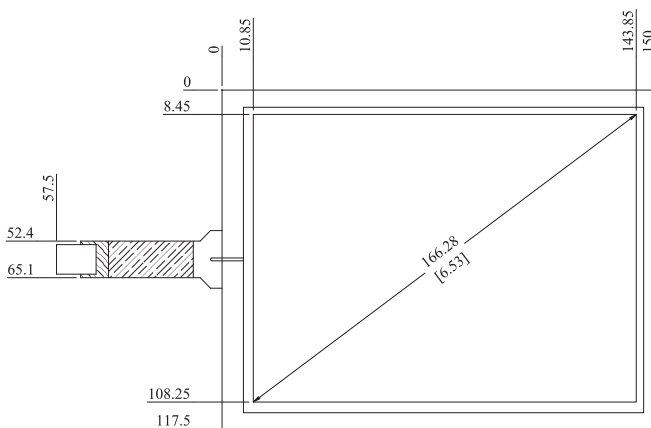
- 1 x Touch screen
- 1 x Controller board
- 1 x Touch cable
- 1 x Touch driver on CD-ROM
- 1 x RS-232 / USB cable



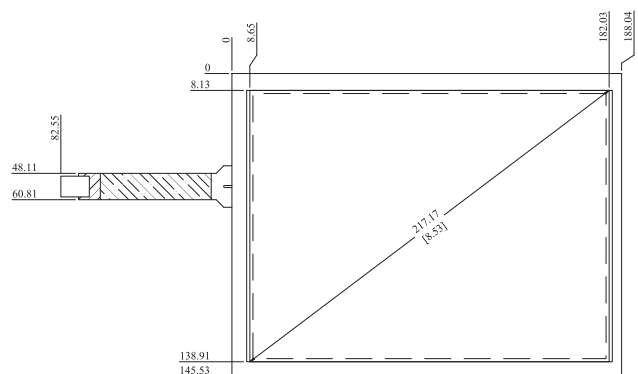
## Ordering Information

Touch Screen Kit		IEI Products	Sensor
RS-232	USB		
T-R065G	T-R065G-USB	DM-65GS, LCD-KIT65G	4-Wire
T-R084G	T-R084G-USB	DM-84GS, ISDM-84G, LCD-KIT84G	4-Wire
T-R104G	T-R104G-USB	DM-104GS, ISDM-104G, LCD-KIT104G	5-Wire
T-R121G	T-R121G-USB	DM-121GS, ISDM-121G, LCD-KIT121G	5-Wire
T-R150G	T-R150G-USB	DM-150GS, ISDM-150G, LCD-KIT150G	5-Wire
T-R170G	T-R170G-USB	DM-170GS, ISDM-170G, LCD-KIT170G	5-Wire
T-R190G	T-R190G-USB	DM-190GS, ISDM-190G, LCD-KIT190G	5-Wire

### T-R065G Dimensions (Unit: mm)

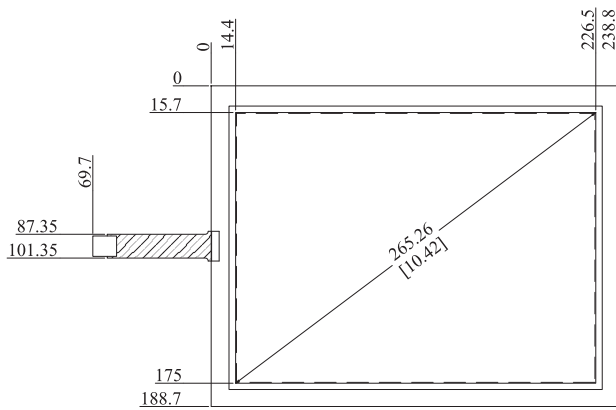


### T-R084G Dimensions (Unit: mm)



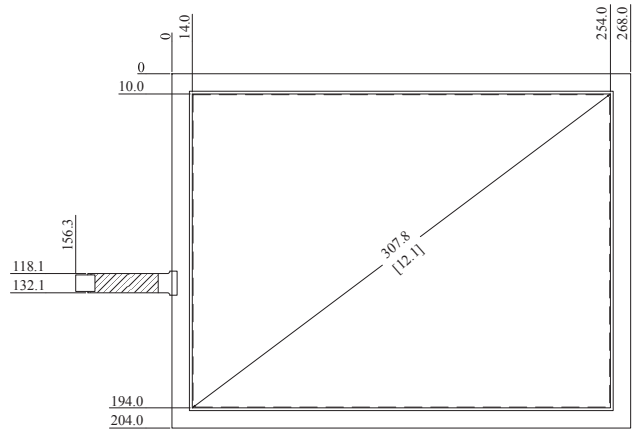
**T-R104G**

Dimensions (Unit: mm)



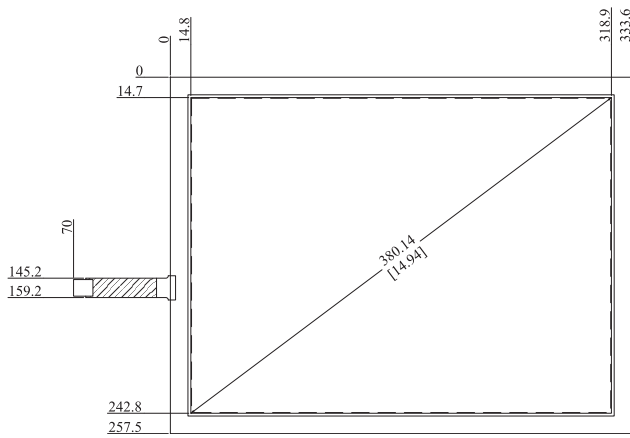
**T-R121G**

Dimensions (Unit: mm)



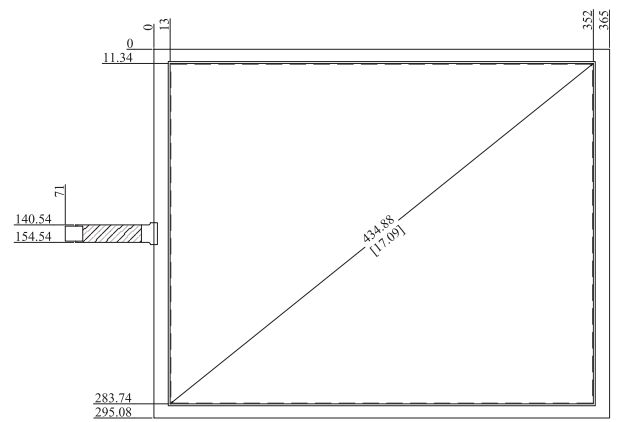
**T-R150G**

Dimensions (Unit: mm)



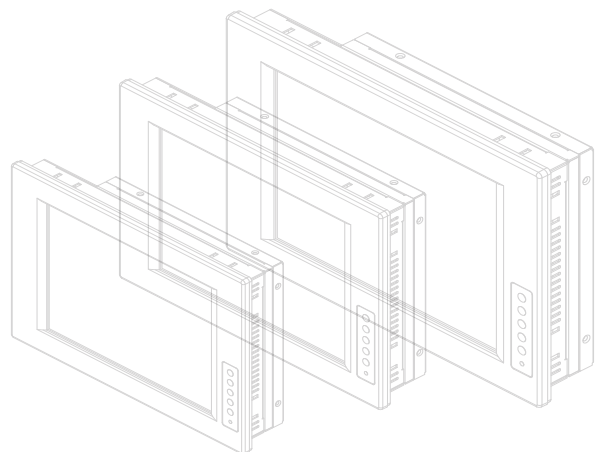
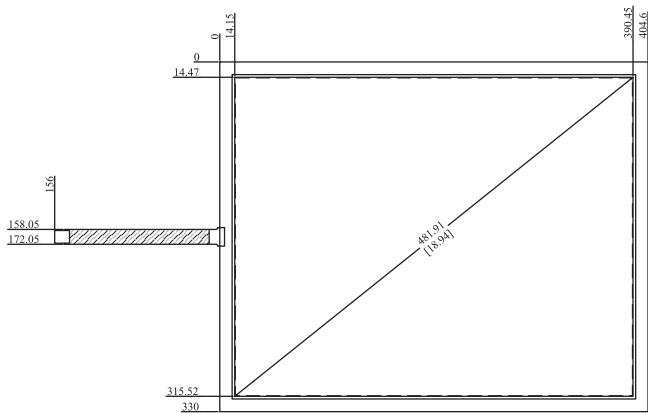
**T-R170G**

Dimensions (Unit: mm)



**T-R190G**

Dimensions (Unit: mm)





# AFOLUX Multimedia Monitors

## 7"~19" AFOLUX Touch Monitors

- 7"~19" LCD monitor with resistive touch panel
- Multiple video input interface: VGA/S-Video/Component/Composite/DVI
- PIP function
- Ambient light sensor
- Built-in two speakers
- IP 64 front panel protection



### ■ Stylish Design

The clean and refreshingly simple look of the AFOLUX monitor provides an aesthetic interface for public area applications (e.g. ATMs) and industrial solutions (e.g. operator terminal).



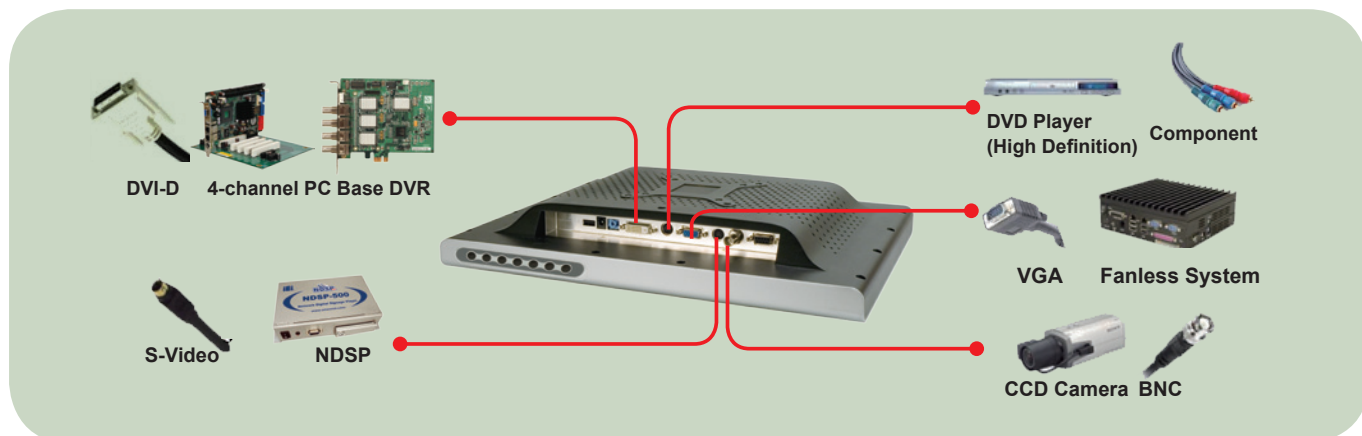
### ■ Light Weight Construction

Light weight construction ensures the AFOLUX can be mounted on a rack, panel and VESA stand.



### ■ Five Video Inputs

The AFL-15M/17M/19M have multiple video inputs through common video connectors including VGA, DVI-D, S-Video, component and BNC video input interfaces. The 5-in-1 system connects to a wide range of devices and most electronic appliances. (The AFL-07M/08M/10M/12M are 4-in-1 systems with VGA, S-Video, component and composite)



## ■ PIP Function

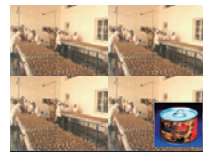
PIP enables a second video/image to be viewed in a small on-screen window. Images from other sources including DVR and DVD devices can also be viewed in the PIP window.

The small on-screen window can be easily resized and moved to a specified onscreen location. Alternatively, "picture-outside-picture" (POP) can be implemented by dividing the screen into two equally sized portions with two different outputs being displayed on either screen.

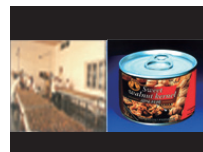
### PIP Settings :

- Three sizes including small, medium and large
- Four positions including upper left, lower left, upper right and lower right.
- Independent PIP window color controls (brightness, contrast, hue and saturation)
- A blend function makes the PIP transparent

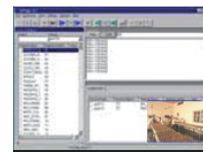
Main screen and sub screen can't display BNC/S-Video or VGA/YPbPr inputs at the same time



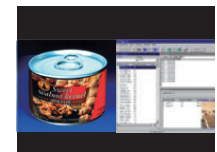
Picture In Picture (Video on Video)



Side by Side (Video & Video)



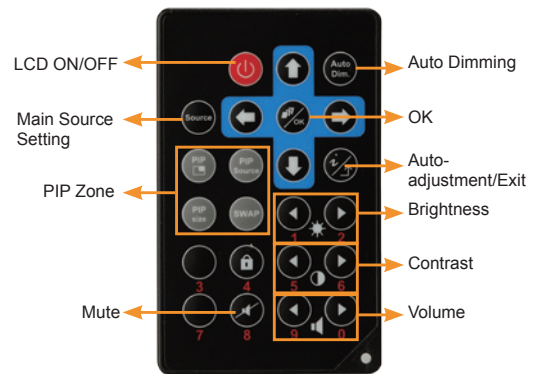
Picture In Picture (Video on Graphics)



Side by Side (Video & Graphics)

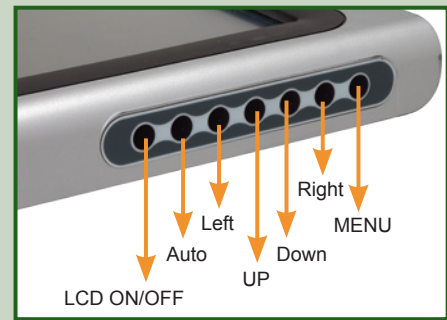
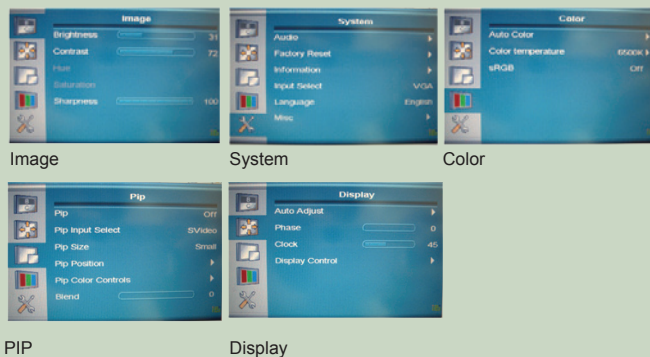
## ■ Remote Control for OSD Function

Hot-keys on the remote control include PIP zone, main source setting, auto-dimming, brightness, contrast and volume. Remote control hot-keys ensure easy configuration.



## ■ Full OSD Function

Integrated OSD functions under the front panel for convenient monitor configuration. Image, display, PIP, color and system configurations can all be set with the hidden OSD.



OSD Keypad is designed for AFL-15M/17M/19M

## ■ Ambient Light Sensor

The AFOLUX 15M, 17M and 19M models come with an ambient light sensor (ALS) to ensure your monitor performs optimally in all lighting conditions.

The ALS can be turned on or off according to the user's preference and the operational environment. Some of the ALS benefits include:

- Reduced cost of operation by reducing the power usage
- Extended backlight life
- Provides comfortable viewing



- Higher Ambient Illuminance



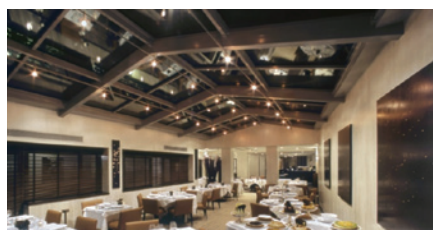
- Lower Ambient Illuminance

ALS is placed on the front side, where there is an opening for light

## ■ Applications



Interactive digital signage



Digital menu boards in numerous restaurants



Video gaming machines in bars and casinos

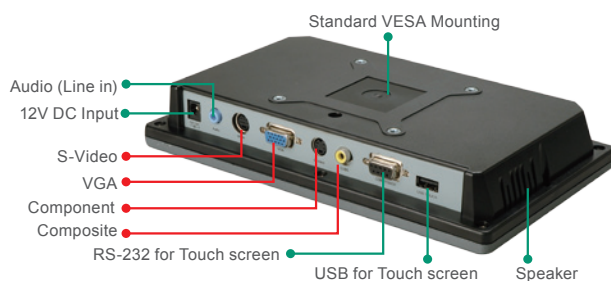
## Specifications



Model	AFL-07M	AFL-08MH	AFL-10M	AFL-12M	AFL-15M	AFL-15ME	AFL-17M	AFL-19M
LCD Size	7"	8.4"	10.4"	12.1"	15"	15"	17"	19"
Input Interface	1. Composite (NTSC/PAL) 2. YPbPr 3. S-Video 4. VGA				1. BNC Connector (NTSC/PAL) 2. YPbPr 3. S-Video 4. VGA 5. DVI			
Max. Resolution	800 x 480 (WVGA)	800 x 600 (SVGA)	800 x 600 (SVGA)	1024 x 768 (XGA)	1024 x 768 (XGA)	1024 x 768 (XGA)	1280 x 1024 (SXGA)	1280 x 1024 (SXGA)
Brightness (cd/m <sup>2</sup> )	500	450	400	600	350	250	380	450
Contrast Ratio	400:1	600:1	700:1	700:1	700:1	700:1	1000:1	1000:1
Display Color	262K	262K	262K	262K	262K	16.2M	16.7M	16.7M
Pixel Pitch (mm)	0.1905	0.213	0.264	0.24	0.297	0.297	0.264	0.294
Viewing Angle (H/V)	140° / 130°	160° / 140°	160° / 140°	160° / 140°	140° / 125°	170° / 160°	170° / 160°	170° / 160°
Touch Screen	Resistive type 4-wire (touch controller IC is on board)			Resistive type 5-wire (touch controller IC is on board)				
Front Frame	ABS and PC Plastic front frame							
Chassis	Aluminum chassis							
Input Voltage	12VDC							
OSD Function	Remote control for OSD functions				1. OSD Keypad below the front panel 2. Remote control for OSD functions			
Smart-OSD	YES							
Mounting	Panel / Wall mounting (VESA 75 x 75mm)		Panel / Wall mounting (VESA 75 x 75mm / 100 x 100mm)		Wall mounting (VESA 100 x 100mm)			
Color	Gray 7539U				Silver (877U) & Gray (ABSA2037)			
Dimensions (W x H x D mm)	226 x 140 x 40	234 x 184 x 41	276 x 227 x 51	304 x 246 x 50	393 x 308 x 61		428 x 350 x 65	470 x 382 x 67
Operating Temperature	0°C~+50°C							
Front Panel Protection	IP 64 Compliant							
Net Weight	0.88 Kg	1.14 Kg	1.33 Kg	2.12 Kg	3.2 Kg		5.0 Kg	5.6 Kg
Power Adapter	36W, 63000-FSP036RAB610-RS				60W, 63000-FSP060DBAB1553-RS			

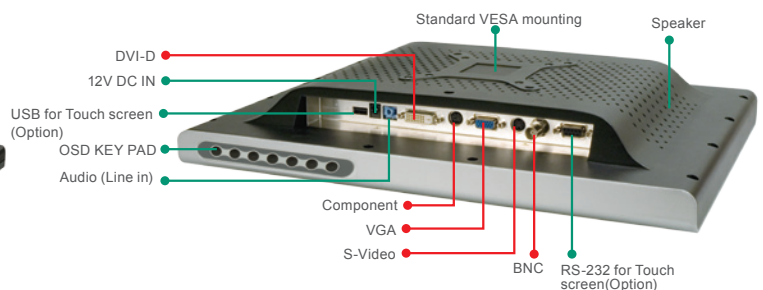
### 7"~12.1" AFOLUX Monitor

#### 4-in-1 Multiple Video Input System

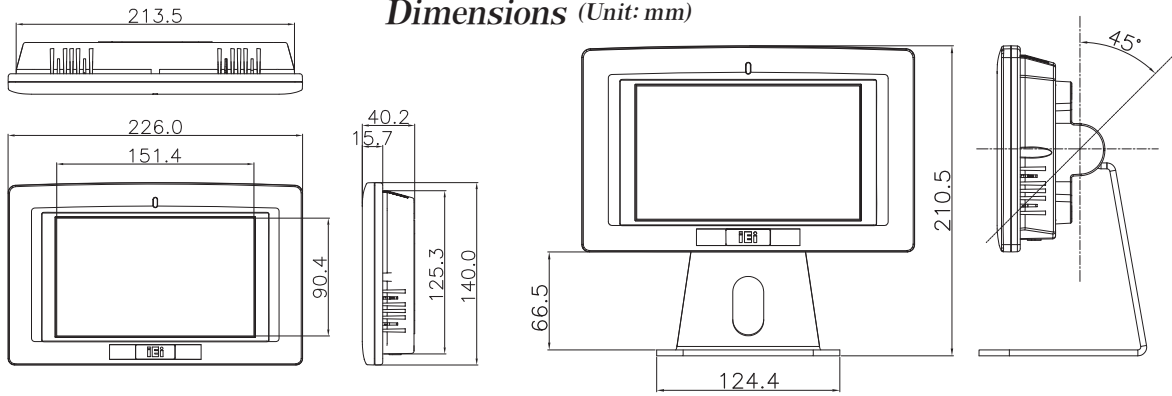


### 15"~19" AFOLUX Monitor

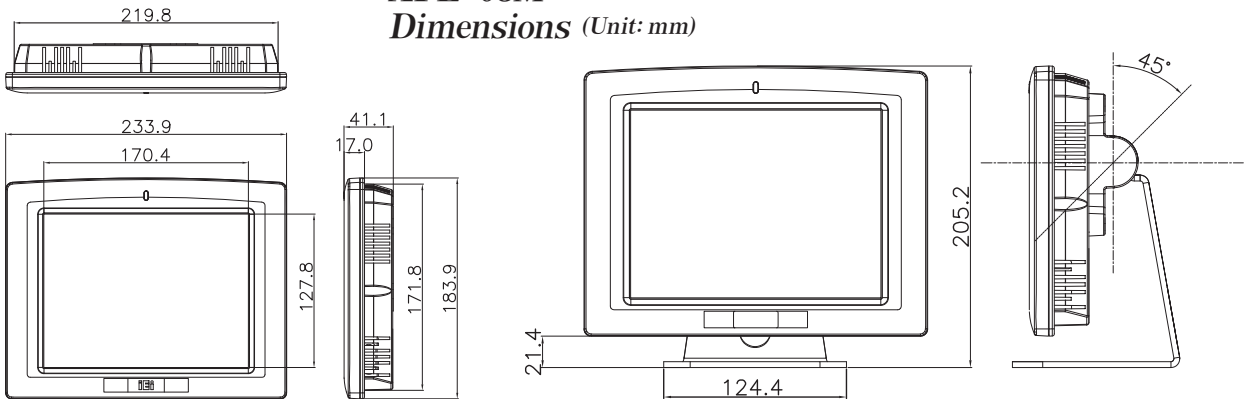
#### 5-in-1 Multiple Video Input System (DVI-D Added)



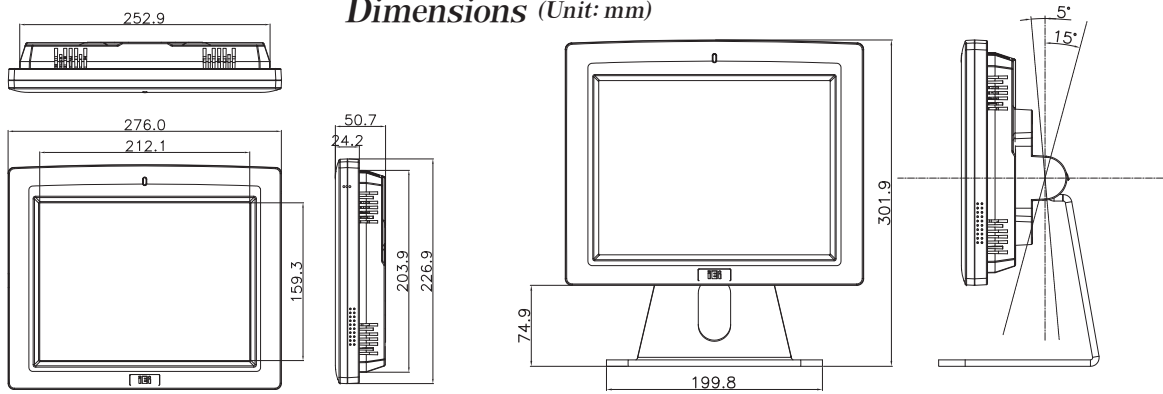
**AFL-07M**  
Dimensions (Unit: mm)



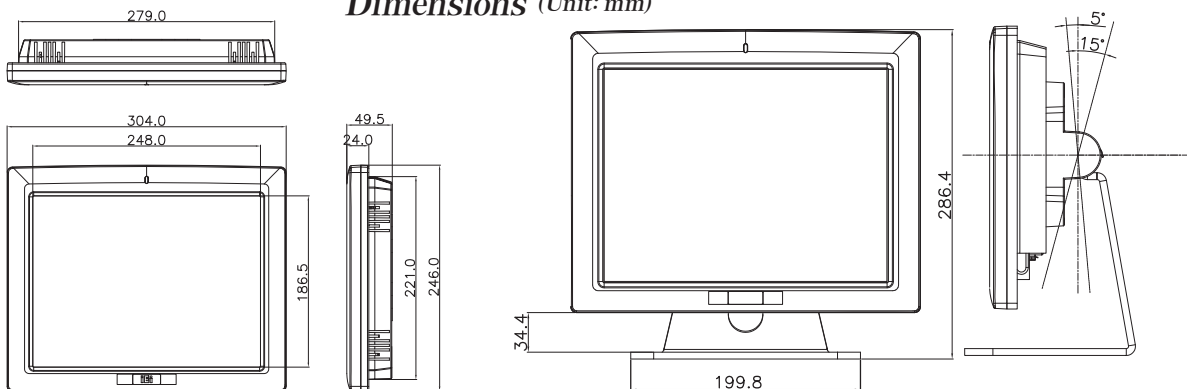
**AFL-08M**  
Dimensions (Unit: mm)



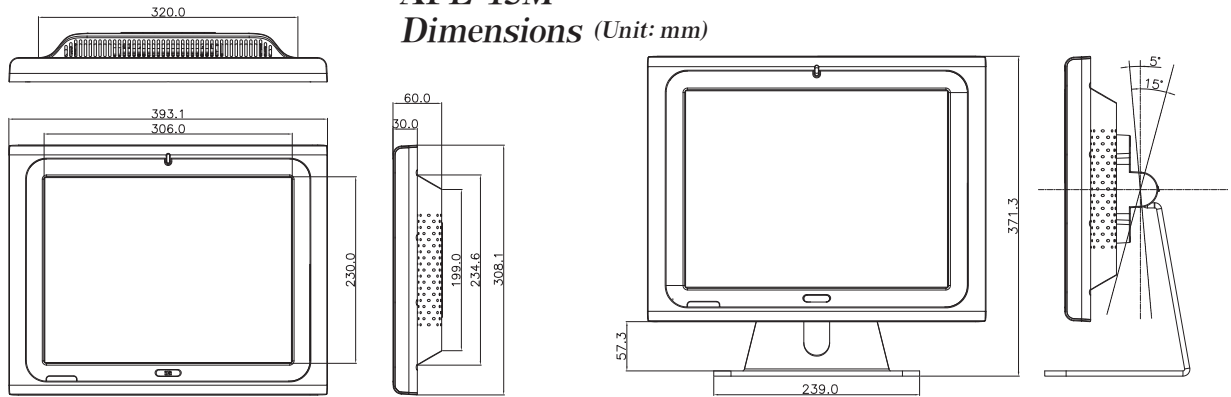
**AFL-10M**  
Dimensions (Unit: mm)



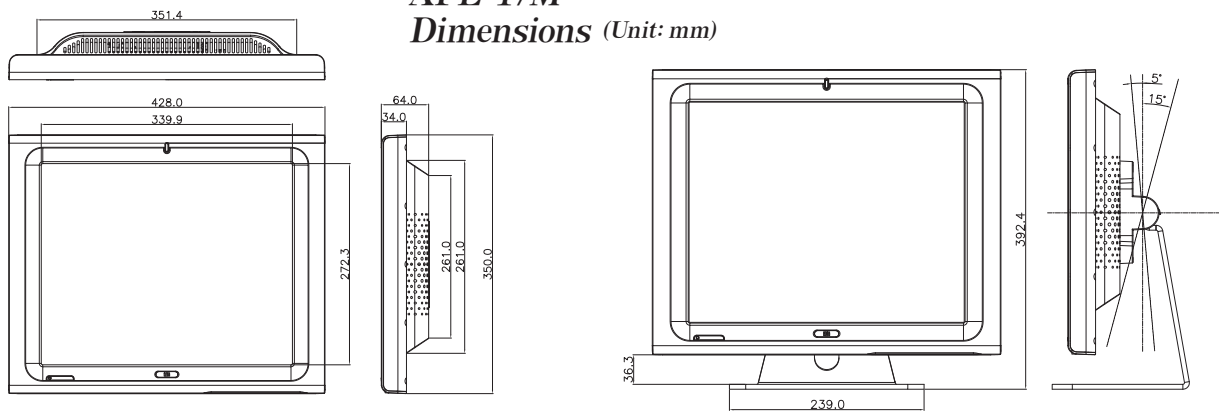
**AFL-12M**  
Dimensions (Unit: mm)



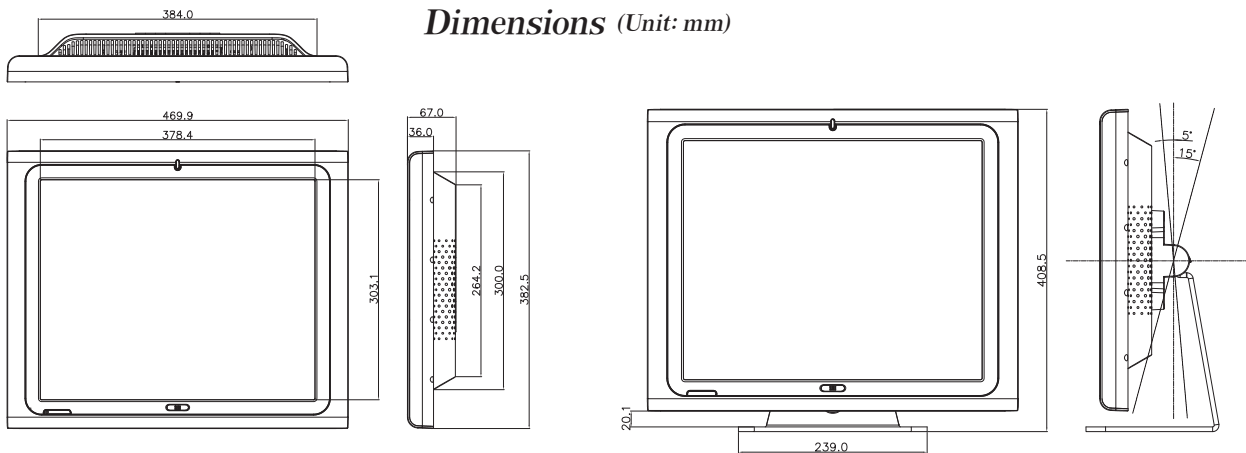
**AFL-15M**  
Dimensions (Unit: mm)



**AFL-17M**  
Dimensions (Unit: mm)



**AFL-19M**  
Dimensions (Unit: mm)



## Options

Model	AFL-07M	AFL-08MH	AFL-10M	AFL-12M	AFL-15M	AFL-17M	AFL-19M	AFL-W19M
Panel Mounting Kits	AFLPK-08		AFLPK-12		AFLPK-15	AFLPK-17	AFLPK-19	AFLPK-W19B
Wall Mounting Kits	AFLWK-12				AFLWK-19			
Rack Mounting Kits	AFLRK-07	AFLRK-08	AFLRK-10	AFLRK-12	AFLRK-15-R11	AFLRK-17-R11	N/A	
LCD Monitor Stand	STAND-A08/STAND-100-RS		STAND-A12/STAND-100-RS		STAND-A19/STAND-B19/STAND-210-R11			
VSTAND	VSTAND-A07	VSTAND-A10		VSTAND-A12	N/A			
DC to DC Converter Module	IDD-930160-KIT							

## Ordering Information

Part NO	Description
AFL-07M/R-R20	7" 500cd/m <sup>2</sup> WVGA LCD monitor, plastic front panel, gray color, with 7" RS-232 and USB touch screen R20, RoHS
AFL-08MH/R-R20	8.4" 450cd/m <sup>2</sup> SVGA LCD monitor, plastic front panel, gray color, with 8.4" RS-232 and USB touch screen R20, RoHS
AFL-10M/R-R20	10.4" 400cd/m <sup>2</sup> SVGA LCD monitor, plastic front panel, gray color, With 10.4" RS-232 and USB touch screen R20, RoHS
AFL-12M/R-R20	12.1" 600cd/m <sup>2</sup> XGA LCD monitor, plastic front panel, gray color, With 12.1" RS-232 and USB touch screen R20, RoHS
AFL-15M/R-R20	15" 350cd/m <sup>2</sup> XGA LCD monitor, plastic front panel, gray color, with 15" RS-232 touch screen R20, RoHS
AFL-15ME/R-R20	15" 250cd/m <sup>2</sup> XGA LCD monitor, plastic front panel, gray color, with 15" RS-232 touch screen R20, RoHS
AFL-15M-USB/R-R20	15" 350cd/m <sup>2</sup> XGA LCD monitor, plastic front panel, gray color, with 15" USB touch screen R20, RoHS
AFL-15ME-USB/R-R20	15" 250cd/m <sup>2</sup> XGA LCD monitor, plastic front panel, gray color, with 15" USB touch screen R20, RoHS
AFL-17M/R-R20	17" 380cd/m <sup>2</sup> SXGA LCD monitor, plastic front panel, gray color, With 17" RS-232 touch screen R20, RoHS
AFL-17M-USB/R-R20	17" 380cd/m <sup>2</sup> SXGA LCD monitor, plastic front panel, gray color, With 17" USB touch screen R20, RoHS
AFL-19M/R-R20	19" 450cd/m <sup>2</sup> SXGA LCD monitor, plastic front panel, gray color, With 19" RS-232 touch screen R20, RoHS
AFL-19M-USB/R-R20	19" 450cd/m <sup>2</sup> SXGA LCD monitor, plastic front panel, gray color, With 19" USB touch screen R20, RoHS

## Packing List

Description	Part No.	Remark
1 x AC power Cable	32000-089900-RS	Length: 1800 mm (EU or US, Which type of cord is shipped depends on the contry)
1 x VGA Cable	32000-036200-RS	Length: 1800 mm
1 x DVI Cable	32000-086600-RS	Length: 1800 mm For AFL-15M / 17M / 19M-R20
1 x Audio Cable	32007-001600-100-RS	Length: 1800 mm
1 x Component Cable	32010-000300-100-RS	Length: 150 mm
1 x Component Extend Cable	32000-132800-RS	Length: 1800 mm
1 x 36W AC Power Adapter	63000-FSP036RAB610-RS	For AFL-07M / 08M / 10M / 12M-R20 series Operating Temperature : 0°C~ +40°C
1 x 60W AC Power Adapter	63000-FSP060DBAB1553-RS	For AFL-15M / 17M / 19M / W19M-R20 series Operating Temperature : 0°C~ +40°C
1 x User Manual		
1 x Remote Control	7Z000-8T00322ICP01G-RS	
1 x Touch Pen	43125-0002C0-00-RS	
1 x Touch screen RS-232 Cable / USB Cable / Driver CDROM	RS-232 cable: 32005-001100-100-RS USB cable: 32001-006100-100-RS	Length: 1800 mm Length: 1500 mm (For AFL-07M~12M and AFL-15M~W19M USB model)



Remote Control



Touch Pen



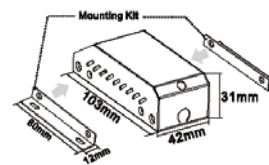
Component Extension Cable



Component Cable

## Optional 60W DC/DC Converter Module Spec. (P/N:IDD-930160-KIT)

Input Voltage	9~30VDC
Input Current	Max. 8A at 6VDC
Output	12V @ 5A
Max. Total Output	60W
Performance Characteristics	Noise & ±Ripple: <320mV, Line Regulation: <120mV, Load Regulation: <120mV
Transient Toggle Rate	250 Hz (50% duty ratio)
Transient Current Step	From 0 % to 50 % and 50 % to 100 % of max current
Efficiency	typ. 95% (Vin=12V, 80% of full load)
Dimensions	42 mm x 103 mm x 31 mm
Mounting Kit	12 mm x 80 mm
Cable Length	180 cm
Operating Temperature	-40 °C ~ 85 °C



IDD-930160-KIT



60 W DC/DC converter module can be easily mounted in the vehicle equipment to supply DC power source.

IDD-930160-KIT(Optional)

# Display Console Solutions

## ALOHA-12A

### 12.1" All-in-One Display Console

The ALOHA all-in-one display console is the world's first 7-in-1 display console, with a 12.1" touch control unit that allows access to a single computer via the VGA/DVI/USB KVMA (keyboard, video, mouse, audio) console. ALOHA-12A helps you save hundreds of dollars in equipment, space, and power costs. There is no need to have additional peripherals for the system.



Easily Connect with Systems

Embedded System  
IBX-530-945 GSE

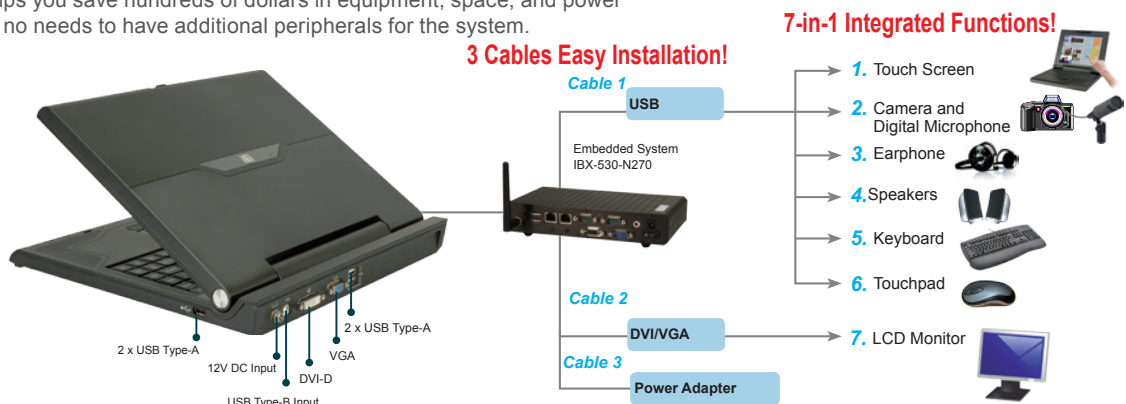
### Features

- Portable Compact Design
- 7-in-1 Display Console
  1. 10.4" Widescreen (16:9) TFT LCD /12.1" TFT LCD with optional resistive touch screen
  2. 87-key keyboard and touchpad
  3. 300K pixel camera allows users to take photos and live video communication
  4. Digital microphone
  5. Two embedded 1.5W speakers support alarm warning notice or audio application
  6. Five USB ports for various USB device connections
  7. Earphone jack for private listening
- 3 Easy Cable Installation
  1. USB on a single cable supports seven functions
  2. Analog VGA and digital DVI interface support general system
  3. Lockable power adapter
- Convenient OSD Settings by Cap-sensor
- Hot Pluggable- Add or remove computer without having to power down the switch
- Standard support of English version keyboard, Optional Japanese, German, French, Italian version keyboard support

- **Camera with digital microphone**  
300K pixel Camera up to VGA resolution (640 x 480)
- **Convenient on-screen display (OSD) menus controlled by cap-sensor**  
- Mute, - Volume, - Brightness, - Auto Adjust, - LCD On / Off
- **Multiple USB Connectivity**  
The ALOHA-12A could be a 5-port USB 2.0 hub which optimizes the use of the single USB port by splitting it into five additional USB 2.0 ports (two on the front, one on the side and two on the rear) for multiple USB devices.
- **Ruggedized Die-cast base!**  
Two 1.5W Integrated Speakers
- **Touchpad**  
- Scroll Bar

### Diagram

ALOHA-12A helps you save hundreds of dollars in equipment, space, and power costs. There is no needs to have additional peripherals for the system.



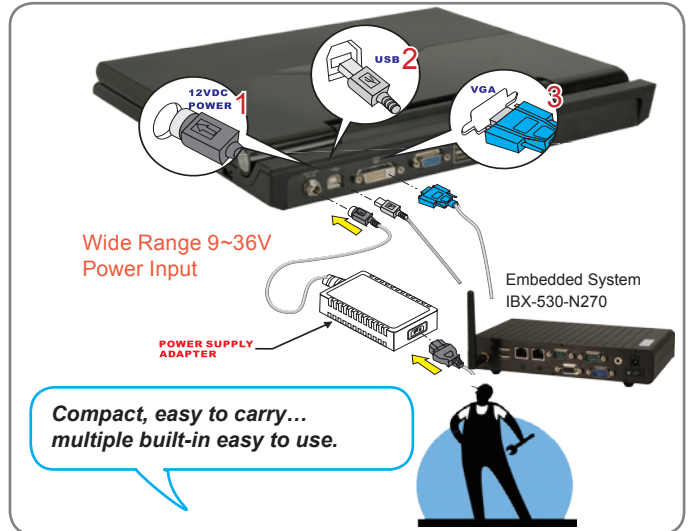
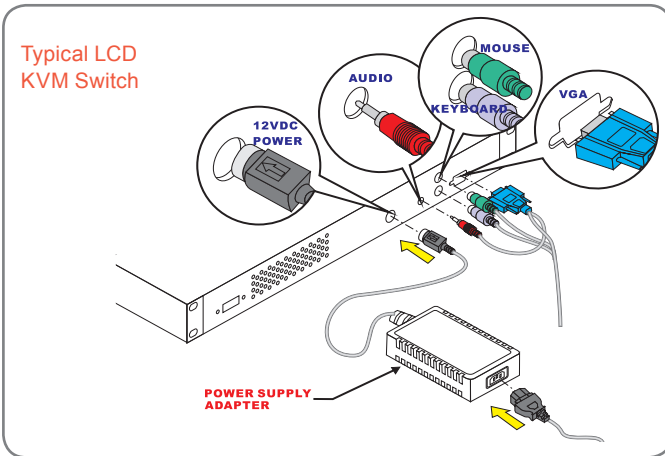
■ Applications



### Repair Maintenance Tool

General maintenance and repair workers often carry out several different tasks in a single day, at any number of locations. The compact all-in-one console allows the workers to carry it comfortably to do system maintenance, especially on embedded systems which are difficult to dismantle.

Easy wiring via VGA / DVI and USB cables decreases installation time!

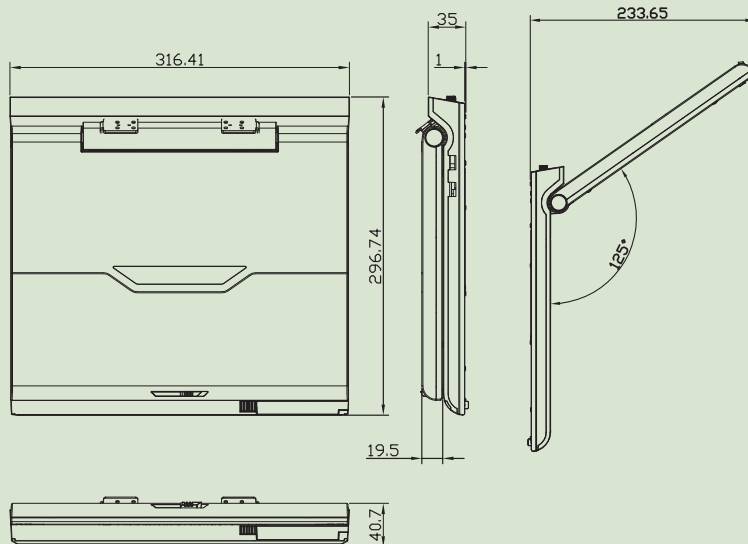


Install Anywhere with Adjustable FLAT VESA ARM!

Robust Die-casting Base



### ALOHA-12A Dimensions (Unit: mm)





## Specifications

Model		ALOHA-12A
Display	LCD Size	12.1"
	Resolution	1024 x 768 (XGA)
	Brightness (cd/m <sup>2</sup> )	400
	Contrast Ratio	500: 1
	LCD Colors	262 k
	Viewing Angle (H-V)	160°/160°
Connectors	Rear	1 x USB Type-B Input
		1 x DVI-D
		1 x VGA
	Front Panel	2 x USB Type-A
		1 x Microphone jack
		1 x Speaker jack
		2 x USB Type-A
	Side	1 x USB Type-A
	Touch Panel	Optional
Camera and Microphone	300K pixel with digital microphone	
Speakers	AMP 1.5W +AMP 1.5W	
OSD Control	On-screen display (OSD) controlled by cap-sensor	
Power Input	9V~36V	
Environment	Operating Temperature	0~45°C
	Humidity	5%~95%RH
Physical Properties	Housing	Metal
	Weight	3.16 kg
	Dimensions ( L x W x H ) (mm)	316.41 x 296.74 x 40.7



## Ordering Information

Model	Description
ALOHA-12A- [ L ] /T-R-R20	12.1" Advanced all-in-one touch display console, black color
ALOHA-12A- [ L ] -R20	12.1" Advanced all-in-one display console, black color

### [L] Language Code-

I :Italian F :French T :Traditional Chinese E :English  
 S :Spanish J :Japanese R :Russian G :German

## Packing List

Item	P/N	Description
USB cable	32000-091700-RS	USB A Type male and USB B Type male (length: 1.8M)
VGA cable	32000-036200-RS	D-SUB 15P male (length: 1.8M)
Power adapter	63000-FSP0401ADF03A821-RS	90V~264V;12V;40W (length: 1.5M)
Power cord	32000-000002-RS	European power cord (length: 183cm)
Touch pen	XTR104-0002-RS	
User's manual and touch driver CD-ROM		

## Options

	P/N	Description
DVI	32000-115700-RS	DVI cable (length: 1.8M)
	32000-115800-RS	DVI cable (length: 5M)
	32000-115900-RS	DVI cable (length: 10M)
VGA	32000-036200-RS	VGA cable (length: 1.8M)
	32000-077300-RS	VGA cable (length: 5M)
		VGA cable (length: 10M)
USB	32000-091700-RS	USB A type male and USB B type male (length: 1.8M)
	32000-077400-RS	USB A type male and USB B type male (length: 5M)
		USB A type male and USB B type male (length: 10M)

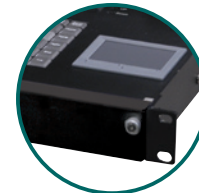
# LKM-926G/9268G

15" LCD Monitor/ Keyboard/ Mouse/ Speaker/ KVMA switch 5-in-1 1U Height Drawer



No special cables and connecting up to eight computers !

No special cables required to connect up to 8 computers!  
Five functions: LCD monitor, keyboard, mouse, speaker and KVMA switch



**LKM-9268G**  
Two self-clich prevents the keyboard from sliding and shaking

## Features

1. Outstanding LCD Module : Channel change control, auto scan control, programmable station name
2. KVMA Switch : 8-port KVMA switch can be manually or automatically set via LCD module
3. Standard support of English version keyboard. Optional Japanese, German, French, Italian version keyboard support
4. Embedded speaker can support alarm warning notice or audio application
5. Hot Pluggable - Add or remove computers without having to power down the switch

## Specifications

		LKM-926G	LKM-9268G	
System Connections		1	8	
LCD Specifications	LCD Size	15"		
	Resolution	1024 x 768		
	Luminance (cd/m <sup>2</sup> )	350 cd/m <sup>2</sup>		
	Display Color	262k		
	Viewing Angle (CR=10)	400:1		
	Contrast Ratio	120° / 100°		
LCD MTBF (hrs)		50000		
Connectors	KVMA Port	Keyboard	1 x PS/2 (Purple)	8 x PS/2 (Purple)
		Video	1 x HDB-15 Male (Blue)	8 x HDB-15 Male (Blue)
		Mouse	1 x PS/2 (Green)	8 x PS/2 (Green)
		Speaker	1 x ø 3.5 Stereo Plug (Red)	8 x ø 3.5 Stereo Plug (Red)
		LCM Adjustment	No	Yes
Computer Port Selection		No	Auto-scan/ Pushbutton	
Switch	LCD Power	1 x Pushbutton		
	Speaker	1 x Pushbutton		
	LCM Adjustment	No	3 x Pushbutton	
Color		Black (PANTONE Black C) or White (PANTONE 413C)		
Environment	Operating Temp.	0~50°C		
	Humidity	5-95%, non-condensing		
	Shock	10G acceleration peak to peak (11ms)		
	Vibration	5-17Hz, 0.1" double amplitude displacement. 17-640Hz, 1.5G acceleration peak to peak.		
Physical Properties	Housing	Metal		
	Dimensions ( L x W x H mm)	482 x 323.25 x 520		

## Packing List

Part Number	Description	Amount
41020-009501-00-RS	Rack mount bracket (Long)	2
41020-009001-01-RS	Rack mount bracket (Short)	2
LKM-CB18A-RS	1.8M cable Set	1
32000-000002-RS	18.3 cm round cable power cord	1
19600-000082-RS	Screw set	1
63SPU45E201-000-RS	AD/DC power supply (For AC input model)	1
63000-ACEN023T-RS	48 VDC/DC power supply (For 48VDC input model)	1
63000-ACEN023C-RS	24 VDC/DC power supply (For 24VDC input model)	1

### LKM-926G/9268G

#### Dimensions (Unit: mm)

Outstanding LCD Module  
\* Display station number  
\* Auto scan or user manually selected setting

## Ordering Information

<b>LKM-926G [C] - [L]-R20</b>	Single Input 15" LCD / Keyboard / Mouse / Speaker 1U drawer includes 1.1M length cable set.AC Input, R20
<b>LKM-926G [C] T - [L]-R20</b>	Single Input 15" LCD / Keyboard / Mouse / Speaker 1U drawer includes 1.1M length cable set. 48VDC input, R20
<b>LKM-926G [C] - [C] - [L]-R20</b>	Single Input 15" LCD / Keyboard / Mouse / Speaker 1U drawer includes 1.1M length cable set. 24VDC input, R20
<b>LKM-9268G [C] - [L]-R20</b>	8 input 15" LCD / Keyboard / Mouse / Speaker 1U drawer, AC input, R20
<b>LKM-9268G [C] T - [L]-R20</b>	8 input 15" LCD / Keyboard / Mouse / Speaker 1U drawer, 48VDC input, R20
<b>LKM-9268G [C] - [C] - [L]-R20</b>	8 input 15" LCD / Keyboard / Mouse / Speaker 1U drawer, 24VDC input, R20

[C] Color Code B: Black W: White

[L] Language Code EN: English, JP: Japanese, DE: German, FR: French, IT: Italian, TW: Traditional Chinese, SP: Spanish, RU: Russian

## Options

<b>LKM-CB18A-RS</b>	1.8 M cable set; includes VGA, Keyboard, Mouse and Audio cable
<b>LKM-CB30A-RS</b>	3.0 M cable set; includes VGA, Keyboard, Mouse and Audio cable
<b>LKM-CB50A-RS</b>	5.0 M cable set; includes VGA, Keyboard, Mouse and Audio cable

# LKM-927G/9278G

17" LCD Monitor / Keyboard / Mouse / Speaker / KVMA Switch 5-in-1 1U Height Drawer



LKM-9278GW



LKM-9278GB

No special cables required for connecting up to eight computers!



Convenient OSD Control Buttons



Two internal Speakers with audio on/off switch



Touch pad and two control buttons



Two self-clinch prevents the keyboard from sliding and shaking



Auto-scanning, selecting and editing computer ports by LCD module control buttons

## 5-in-1 1U height drawer! LCD monitor, keyboard, mouse, speaker and KVMA switch

The LKM-927G and LKM-9278G LCD KVMA control units allow secure access to one or multiple computers from a single KVMA (keyboard, video, mouse and audio) console in a system rack.

A single LKM-927G or LKM-9278G can control up to 8 computers. The LKM-927G and LKM-9278G both feature 17" LCD monitor and keyboard with built-in touchpad in a 1U rack. The five-in-one space-saving design has either one (LKM-927G) or eight (LKM-9278G) ports to be conveniently installed in 1U system rack.

## Specifications

		LKM-927G	LKM-9278G
System Connections		1	8
LCD Specifications	LCD Size	17"	
	Resolution	1280x1024	
	Luminance (cd/m <sup>2</sup> )	380	
	Display Color	16.7M	
	Viewing Angle (CR=10)	170° / 160°	
	Contrast Ratio	1000:1	
LCD MTBF		50000 hrs	
Connectors	Keyboard	1 x PS/2 (Purple)	8 x PS/2 (Purple)
	KVMA Video	1 x HDB-15 Male (Blue)	8 x HDB-15 Male (Blue)
	Mouse	1 x PS/2 (Green)	8 x PS/2 (Green)
	Speaker	1 x ø 3.5 Stereo Plug (Red)	8 x ø 3.5 Stereo Plug (Red)
	LCM Adjustment	No	Yes
Computer Port Selection		No	Auto-scan / Pushbutton
Switch	LCD Power	1 x Pushbutton	
	Speaker	1 x Pushbutton	
	LCM Adjustment	No	3 x Pushbutton
Color		Black (PANTONE Black C) or White (PANTONE 413C)	
Environment	Operating Temp.	0~50 °C	
	Humidity	5%~85%RH	
	Shock	10G acceleration peak to peak (11ms)	
	Vibration	5-17Hz, 0.1" double amplitude displacement.17-640Hz, 1.5G acceleration peak to peak.	
Physical Properties	Housing	Metal	
	Weight	17kg	
	Dimensions (L x W x H)	57.2 x 48.2 x 4.4 cm (17"/1U)	

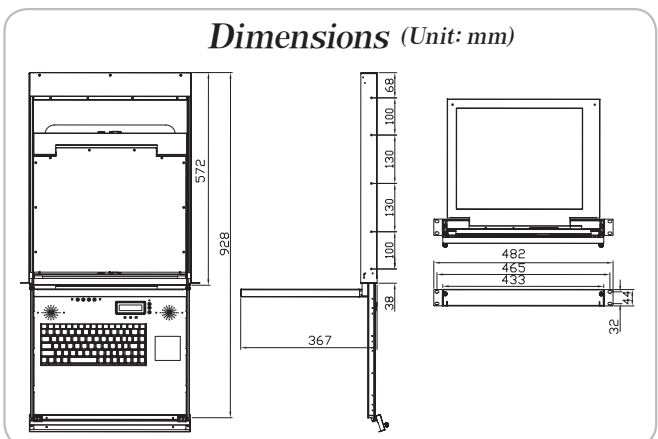
## Packing List

Part Number	Description	Amount
41020-009501-00-RS	Rack mount bracket (Long)	2
41020-009001-01-RS	Rack mount bracket (Short)	2
LKM-CB18A-RS	1.8M cable set	1
32000-000002-RS	18.3 cm round cable power cord	1
19600-000082-RS	Screw set	1
63SPU45E201-000-RS	AD/DC power supply (For AC input model)	1
63000-ACEN023T-RS	48 VDC/DC power supply (For 48VDC input model)	1
63000-ACEN023C-RS	24 VDC/DC power supply (For 24VDC input model)	1

## Features

1. Integrated KVMA console (88-key keyboard and touchpad) with 17" LCD monitor in a 1U rack maximizes space in your control center.
2. Supports up to 1280x1024 resolution
3. Wide viewing angles: 160° wide viewing angle for easy viewing
4. Hot-pluggable capabilities enables the addition or removal of computers without having to power down the switch
5. Multiple languages supported: English, Japanese, German, French, Italian, Traditional Chinese, Spanish, and Russian version keyboard supported.
6. Auto-scan mode: Automatically scan the port with an interval of 10 seconds so that users can monitor their activity automatically. (For LKM-9278G)
7. Editable station name: Allow users to name each computer station on the LCD module to easily manage every station. (For LKM-9278G)
8. Optional DC power input: 48 VDC or 24 VDC power input options for more mobile and server room applications

## Dimensions (Unit: mm)



## Ordering Information

LKM-927G [C] - [L]	Single input 17" LCD Monitor / Keyboard / Mouse / Speaker 1U Drawer with individual monitor and keyboard module, AC input, R20
LKM-927G [C] T - [L]	Single input 17" LCD Monitor / Keyboard / Mouse / Speaker 1U Drawer with individual monitor and keyboard module, 48VDC input, R20
LKM-927G [C] C - [L]	Single input 17" LCD Monitor / Keyboard / Mouse / Speaker 1U Drawer with individual monitor and keyboard module, 24VDC input, R20
LKM-9278G [C] - [L]	8 inputs 17" LCD Monitor / Keyboard / Mouse / Speaker 1U drawer with individual monitor and keyboard module, AC input, R20
LKM-9278G [C] T - [L]	8 inputs 17" LCD Monitor / Keyboard / Mouse / Speaker 1U drawer with individual monitor and keyboard module, 48VDC input, R20
LKM-9278G [C] C - [L]	8 inputs 17" LCD Monitor / Keyboard / Mouse / Speaker 1U drawer with individual monitor and keyboard module, 24VDC input, R20

Note:

[C] Color Code B: Black W: White

T: 48VDC power input model

C: 24VDC power input model

[L] Language Code EN: English, JP: Japanese, DE: German, FR: French,

IT: Italian, TW: Traditional Chinese, SP: Spanish, RU: Russian